



## SERVICE MANUAL



**AXIAL-FLOW 7120 [Y8G205001 - ]**  
**AXIAL-FLOW 8120 [Y8G205001 - ]**  
**AXIAL-FLOW 9120 [Y8G205001 - ]**

# Contents

---

## INTRODUCTION

DISTRIBUTION SYSTEMS.....	A
PRIMARY HYDRAULIC POWER SYSTEM.....	A.10.A
SECONDARY HYDRAULIC POWER SYSTEM.....	A.12.A
ELECTRICAL POWER SYSTEM .....	A.30.A
LIGHTING SYSTEM.....	A.40.A
ELECTRONIC SYSTEM .....	A.50.A
FAULT CODES.....	A.50.A
POWER PRODUCTION .....	B
ENGINE .....	B.10.A
FUEL AND INJECTION SYSTEM.....	B.20.A
AIR INTAKE SYSTEM.....	B.30.A
EXHAUST SYSTEM.....	B.40.A
ENGINE COOLANT SYSTEM .....	B.50.A
LUBRICATION SYSTEM .....	B.60.A
STARTING SYSTEM.....	B.80.A
POWER TRAIN .....	C
TRANSMISSION Mechanical .....	C.20.B
TRANSMISSION Hydrostatic.....	C.20.F
FRONT PTO Mechanical .....	C.42.B
PROCESS DRIVE Primary process drive .....	C.50.B
TRANSMISSION LUBRICATION SYSTEM .....	C.90.A
TRAVELLING.....	D
FRONT AXLE .....	D.10.A
REAR AXLE .....	D.12.A
2WD-4WD SYSTEM Hydrostatic.....	D.14.E
STEERING Hydraulic.....	D.20.C
SERVICE BRAKE Hydraulic.....	D.30.C
PARKING BRAKE Hydraulic .....	D.32.C

WHEELS AND TRACKS Tracks .....	D.50.B
WHEELS AND TRACKS Wheels.....	D.50.C
<b>BODY AND STRUCTURE .....</b>	<b>E</b>
USER CONTROLS AND SEAT .....	E.32.A
SHIELD .....	E.20.A
USER CONTROLS AND SEAT Operator seat .....	E.32.C
USER CONTROLS AND SEAT Instructor seat .....	E.32.D
USER PLATFORM .....	E.34.A
ENVIRONMENT CONTROL Heating, ventilation and air-conditioning.....	E.40.D
SAFETY SECURITY ACCESSORIES Safety .....	E.50.B
<b>TOOL POSITIONING .....</b>	<b>G</b>
LIFTING .....	G.10.A
TILTING .....	G.20.A
LEVELLING .....	G.30.A
<b>CROP PROCESSING .....</b>	<b>K</b>
FEEDING Reel feeding.....	K.25.B
FEEDING Header feeding .....	K.25.D
FEEDING Feeder housing .....	K.25.E
FEEDING Transition cone .....	K.25.K
THRESHING Axial flow threshing .....	K.40.C
SEPARATING Rotary separator .....	K.42.C
STORING AND HANDLING Grain storing .....	K.60.B
CLEANING Primary cleaning.....	K.62.B
CLEANING Tailings return system .....	K.62.C
CLEANING Self-levelling frame .....	K.62.D
RESIDUE HANDLING Straw chopper.....	K.64.C
RESIDUE HANDLING Spreader .....	K.64.D
RESIDUE HANDLING Straw beater .....	K.64.E
UNLOADING Grain unloading.....	K.72.B





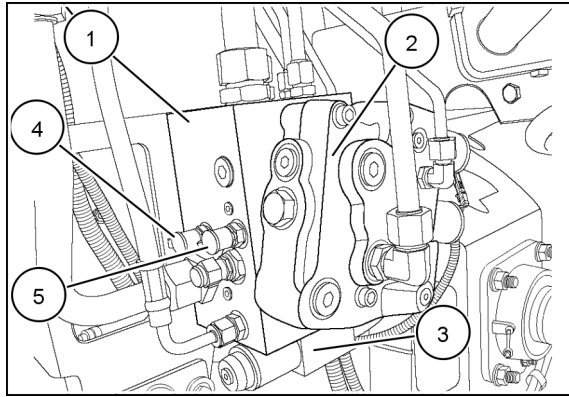
**SERVICE MANUAL**  
**DISTRIBUTION SYSTEMS**



**AXIAL-FLOW 7120 [Y8G205001 - ]**  
**AXIAL-FLOW 8120 [Y8G205001 - ]**  
**AXIAL-FLOW 9120 [Y8G205001 - ]**

## Stack valve - Overview - Main Stack Valve

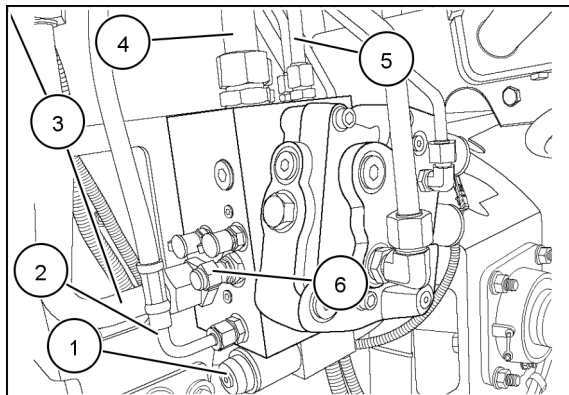
AXIAL-FLOW 7120, AXIAL-FLOW 8120, AXIAL-FLOW 9120



83054623 1

The main stack valve, **(1)** is located on the left side of the combine, just behind the rotor access covers. The main stack is the first to receive oil directly from the PFC pump, and contains the steering priority valve, header raise/lower valve **(2)**, and unloading auger swing valve **(3)** as well as the optional accumulator solenoid and header lift pressure sensor. Oil flow for the fixed speed feeder reverser circuit is also taken directly from the main stack valve.

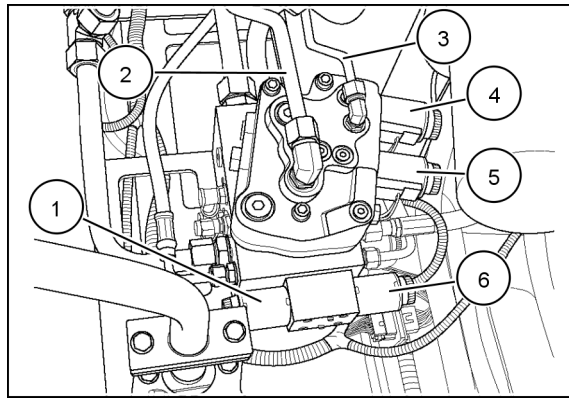
The main stack valve contains test fittings for pump output [DIAG] **(4)** and signal line [LS DIAG] **(5)** pressures.



83054623 2

**Front View Main Stack Valve**

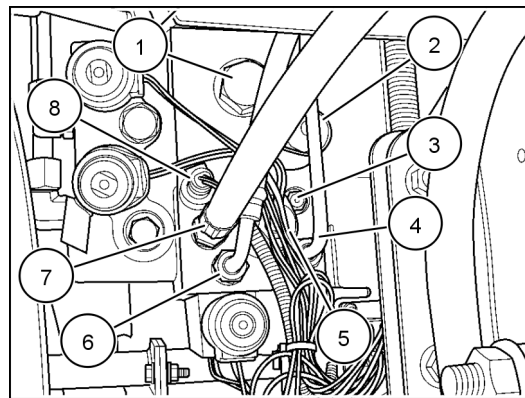
1. Unload Swing Extend Solenoid
2. Line to Unload Swing Cylinder, Rod End
3. Return Line to Pump
4. Supply Line to Feeder Valve
5. Priority Supply to Steering
6. Thermal Relief Valve, Header Lift



83061450 3

**Side View of Main Stack Valve**

1. Unload Swing Extend Solenoid
2. Line to Header Lift Cylinders
3. Regulated Pressure Line from Park Brake Valve
4. Header Raise Solenoid
5. Header Lower Solenoid
6. Unload Swing Retract Solenoid



13031033 4

**Rear View of Main Stack Valve**

1. Steering Priority Valve
2. Signal (Jammer) Solenoid Valve
3. Check Valve and Bleed Orifice
4. Signal Line to Pump
5. Accumulator Solenoid Valve
6. Line to Unload Cylinder
7. Line to Accumulator
8. Header Lift Pressure Sensor **B-29**