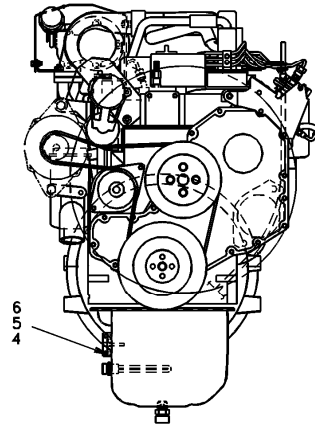
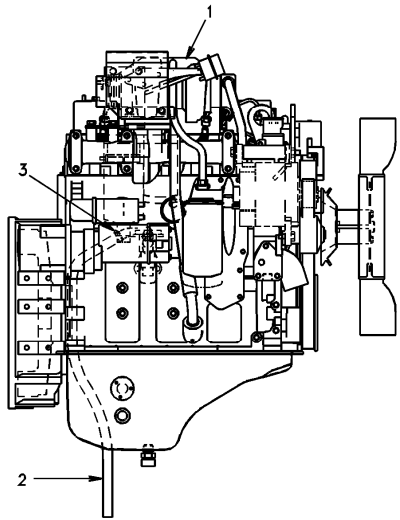
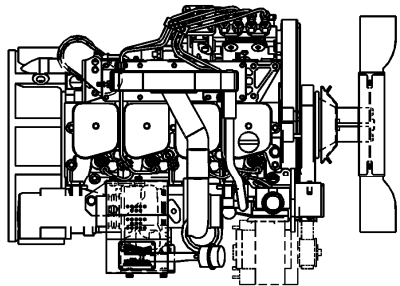


Date: <b>2013/10/4</b>	Image id: <b>SC101</b>	Catalogue: <b>56120</b>	Model: <b>EC140 LC</b>
Brand: <b>Volvo</b>	Serial: <b>3001-9999</b>	Group/Section: <b>210/100</b>	Title: <b>Engine</b>



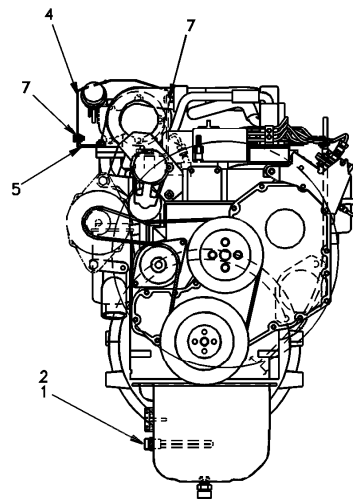
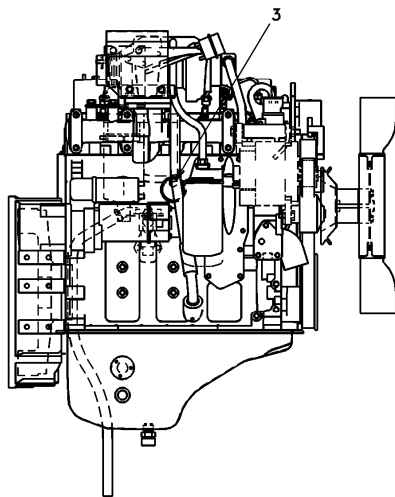
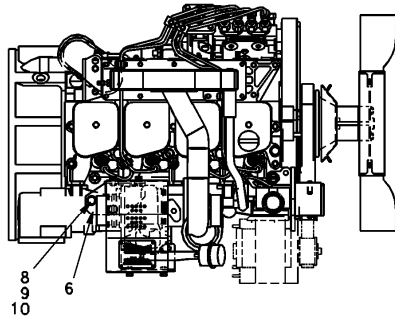
Volvo Construction  
Equipment Group  
SC101

Section option	Kit	Option description
SADF04B001		Air heater for engine Emission
SADF04B002		Without air pre-heater for engine Non Emission

Q1-Q5	Option	Option description	
Q1 DF04B001			
Q2 DF04B002			

Pos	Part	Q1	Q2	Q3	Q4	Q5	PS	Kit	Description	Option(s)	Remark
1	SA1111-00640	1							Engine		
	SA1111-00650		1						Engine		
2	SA9952-19016	1	1						Hose		
3	SA9312-00006	1	1						Clamp		
4	SA1111-00221	1							Connector		
5	SA9511-22025	1							O-ring		
6	SA9016-10603	3							Bolt		

Date: <b>2013/10/4</b>	Image id: <b>SC102</b>	Catalogue: <b>56120</b>	Model: <b>EC140 LC</b>
Brand: <b>Volvo</b>	Serial: <b>3001-9999</b>	Group/Section: <b>210/200</b>	Title: <b>Engine block heater</b>



Volvo Construction  
Equipment Group  
SC102

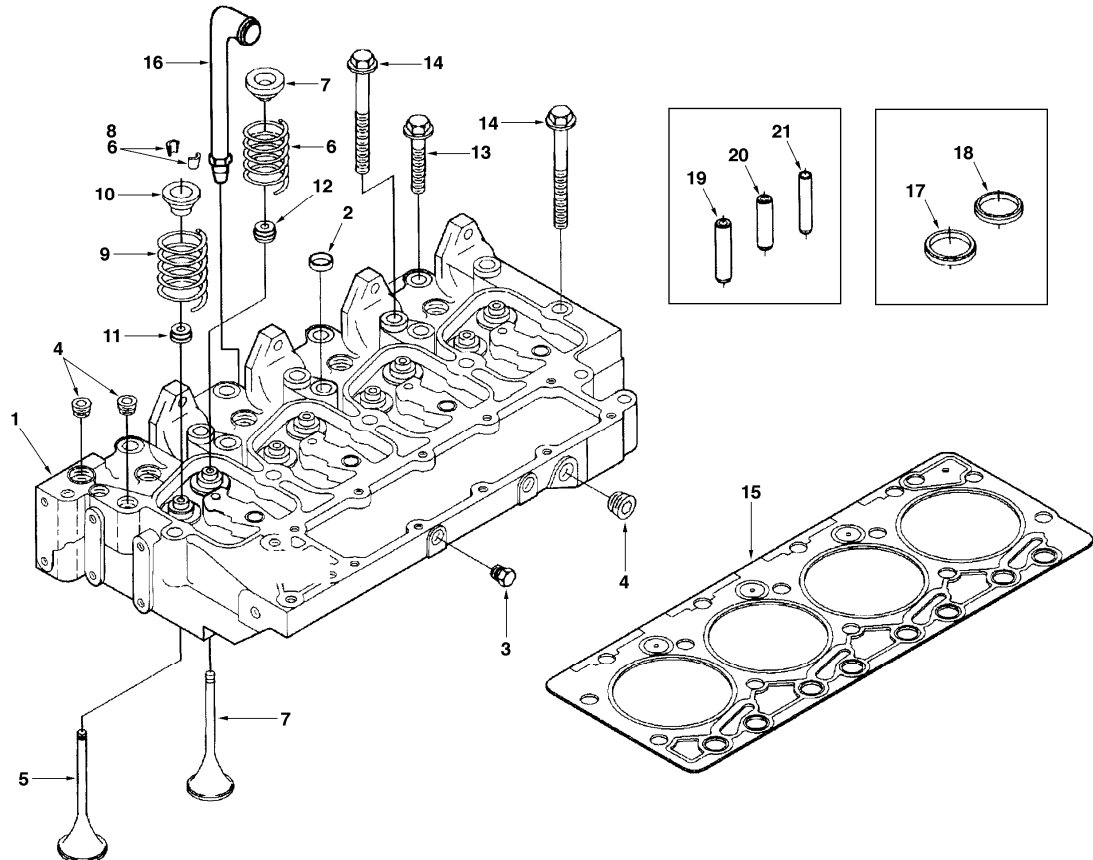
Section option	Kit	Option description
SADF04C001		Engine block heater 120V
SADF04C002		Engine block heater 240V
SADF11A002		Anti-slip treads for Engine room maintenance Without emission
SADF11A003		Anti-slip treads for Engine room maintenance Without non emission

Q1-Q5	Option	Option description	
Q1 DF04C001	SADF04C001	Engine block heater 120V	
Q2 DF04C002	SADF04C002	Engine block heater 240V	
Q3 DF11A002	SADF11A002	Anti-slip treads for Engine room maintenance Without emission	
Q4 DF11A003	SADF11A003	Anti-slip treads for Engine room maintenance Without non emission	

Pos	Part	Q1	Q2	Q3	Q4	Q5	PS	Kit	Description	Option(s)	Remark
1	SA2011-00440	1							Heater		120V

	SA2011-00430		1					Heater		240V
2	SA9426-20080	1	1					Gasket		
3	SA2011-00500	1						Heater		120V
	SA2011-00490		1					Heater		240V
4	SA1111-00491			1	1			Screen		
5	SA1111-00250			1	1			Bracket		
6	SA1111-01220			1				Bracket		
	SA1111-00240				1			Bracket		
7	SA9041-10803			4	4		SS	Bolt		
8	SA9011-11004			2	2		SS	Bolt		
9	SA9211-10000			2	2			Washer		
10	SA9213-10000			2	2		SS	Spring Washer		

Date: <b>2013/10/4</b>	Image id: <b>SC103</b>	Catalogue: <b>56120</b>	Model: <b>EC140 LC</b>
Brand: <b>Volvo</b>	Serial: <b>3001-9999</b>	Group/Section: <b>211/100</b>	Title: <b>Cylinder head</b>



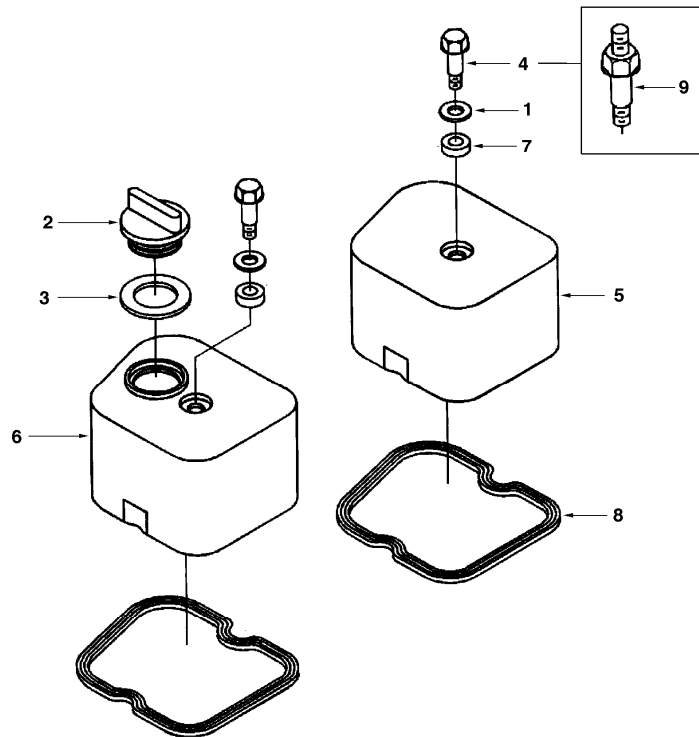
Section option	Kit	Option description
SADF04B001		Air heater for engine Emission
SADF04B002		Without air pre-heater for engine Non Emission

Q1-Q5	Option	Option description	
Q1 DF04B001	SADF04B001	Air heater for engine Emission	
Q2 DF04B002	SADF04B002	Without air pre-heater for engine Non Emission	

Pos	Part	Q1	Q2	Q3	Q4	Q5	PS	Kit	Description	Option(s)	Remark
1	SA3934161	1							Head		
	SA3933417		1				OP		Cylinder head		
2	SA3812092	2	2						•Plug		
3	SA3906619	1	2						•Plug		
4	SA3008468	5	5						•Tube plug		
5	SA3802355	4							•Valve		INLET
	SA3802355		4						•Valve		

6	SA3900250	8	8						••Collet		
7	SA3802356	4							•Valve		OUTLET
	SA3802355		4						•Valve		
8	SA3900250	8	8						••Collet		
9	SA3926700	8							•Spring		
	SA3900276		8						•Spring		
10	SA3900299	8	8						•Retainer		
11	SA3901097	4	4				SS		•Seal		
12	SA3921640	4	4						•Sealing		
13	SA3920779	4	4						Bolt		
14	SA3920780	10							Bolt		
15	SA3283333	1							Gasket		
	SA3921393		1				SS		Gasket		
	SA3921395		REQ						Gasket		0.25MM O SZ
	SA3921397		REQ						Gasket		0.50MM O SZ
16	SA3934712	1							Pipe		
	VOE11716081		1						Pipe		(SA3905639)
17	SA3925176	REQ							Insert		OUTLET
	SA3904105		REQ						Seat		OUTLET
18	SA3925177	REQ							Insert		INLET
	SA3906854		REQ						Seat		INLET
19	SA3904408	REQ	REQ						Guide		INLET
20	SA3904409	REQ	REQ						Guide		OUTLET
21	SA3906206	REQ	REQ						Guide		INLET AND OUTLET

Date: <b>2013/10/4</b>	Image id: <b>SC104</b>	Catalogue: <b>56120</b>	Model: <b>EC140 LC</b>
Brand: <b>Volvo</b>	Serial: <b>3001-9999</b>	Group/Section: <b>211/200</b>	Title: <b>Valve cover</b>



Volvo Construction  
Equipment Group  
SC104

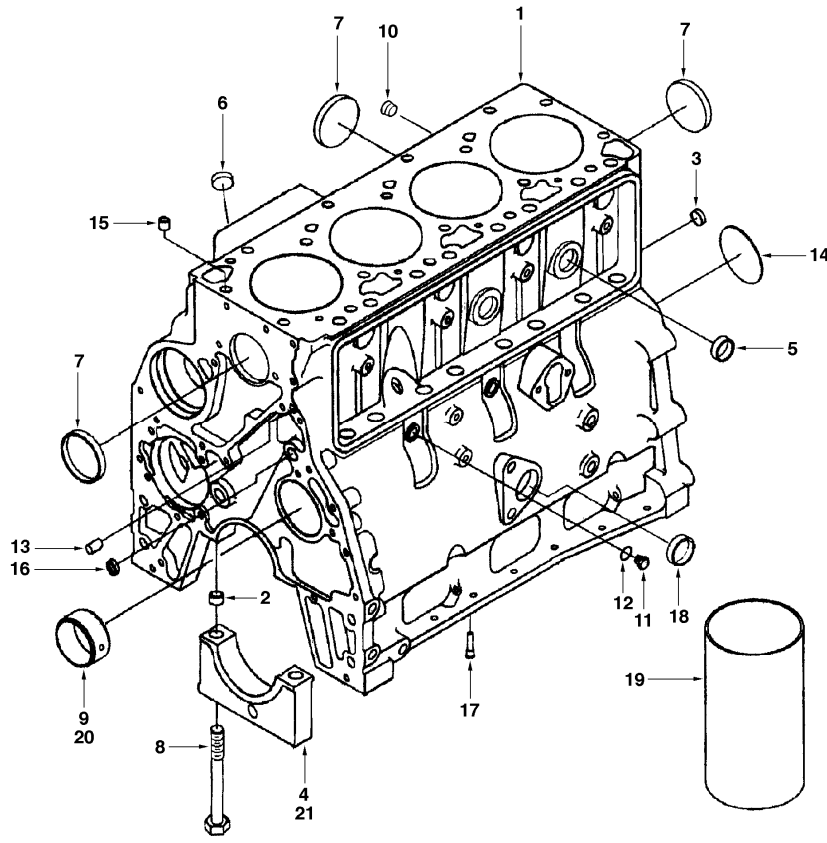
Section option	Kit	Option description
SADF04B001		Air heater for engine Emission
SADF04B002		Without air pre-heater for engine Non Emission

Q1-Q5	Option	Option description	
Q1 DF04B001	SADF04B001	Air heater for engine Emission	
Q2 DF04B002	SADF04B002	Without air pre-heater for engine Non Emission	

Pos	Part	Q1	Q2	Q3	Q4	Q5	PS	Kit	Description	Option(s)	Remark
1	SAS-602		4						Washer		
2	SA3901895	1	1						Cap		
3	SA3902363	1	1				SS		Seal		
4	SA3907049	3	4						Screw		
5	SA3928404	3	3						Cover		
6	SA3928405	1	1						Cover		
7	SA3928406	4	4				SS		Seal		



Date: <b>2013/10/4</b>	Image id: <b>SC105</b>	Catalogue: <b>56120</b>	Model: <b>EC140 LC</b>
Brand: <b>Volvo</b>	Serial: <b>3001-9999</b>	Group/Section: <b>212/100</b>	Title: <b>Cylinder block</b>



Volvo Construction  
Equipment Group  
SC105

Section option	Kit	Option description
SADF04B001		Air heater for engine Emission
SADF04B002		Without air pre-heater for engine Non Emission

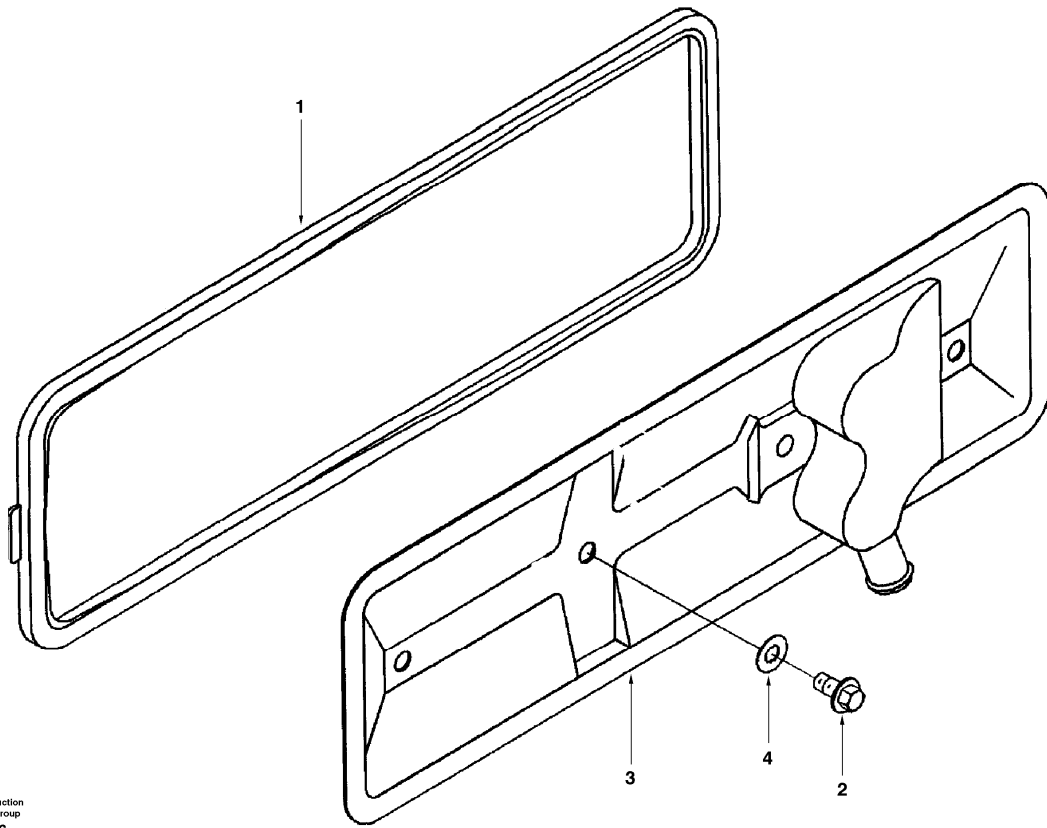
Q1-Q5	Option	Option description	
Q1 DF04B001	SADF04B001	Air heater for engine Emission	
Q2 DF04B002	SADF04B002	Without air pre-heater for engine Non Emission	

Pos	Part	Q1	Q2	Q3	Q4	Q5	PS	Kit	Description	Option(s)	Remark
1	SA3932012	1	1				SS		Cylinder Block		
2	SA3900068	12	12						•Ring		
3	SA3900956	3	3						•Plug		
4	SA3900967	5	5				SS		•Cap		
5	SA3910435	2	2				OP		•Plug		
6	SA3920706	6	6						•Plug		
7	SA3922072	3	3						•Plug		



8	SA3927948	10	10						•Screw		
9	SA3940059	1	1						•Bushing		
10	SA3008469	1	1						•Plug		
11	SA3678923	2	2						•Plug		
12	SA3678925	1	1						••Seal		
13	SA3900257	2	2						•Locating pin		
14	SA3900687	1	1						•Plug		
15	SA3902343	2	2						•Ring		
16	SA3926047	1	1						•Seal		
17	SA3930139	4	4				SS		•Nozzle		
18	SA3900958	1	1						Plug		
19	SA3904166	REQ	REQ				SS		Sleeve		
20	SA3903242	REQ	REQ						Bushing		O SZ 1 BORE
	SA3904369	REQ	REQ						Bushing		O SZ 2-4 BORE
21	SA3900967	5	5				SS		Cap		

Date: <b>2013/10/4</b>	Image id: <b>SC106</b>	Catalogue: <b>56120</b>	Model: <b>EC140 LC</b>
Brand: <b>Volvo</b>	Serial: <b>3001-9999</b>	Group/Section: <b>212/200</b>	Title: <b>Crankcase ventilation</b>



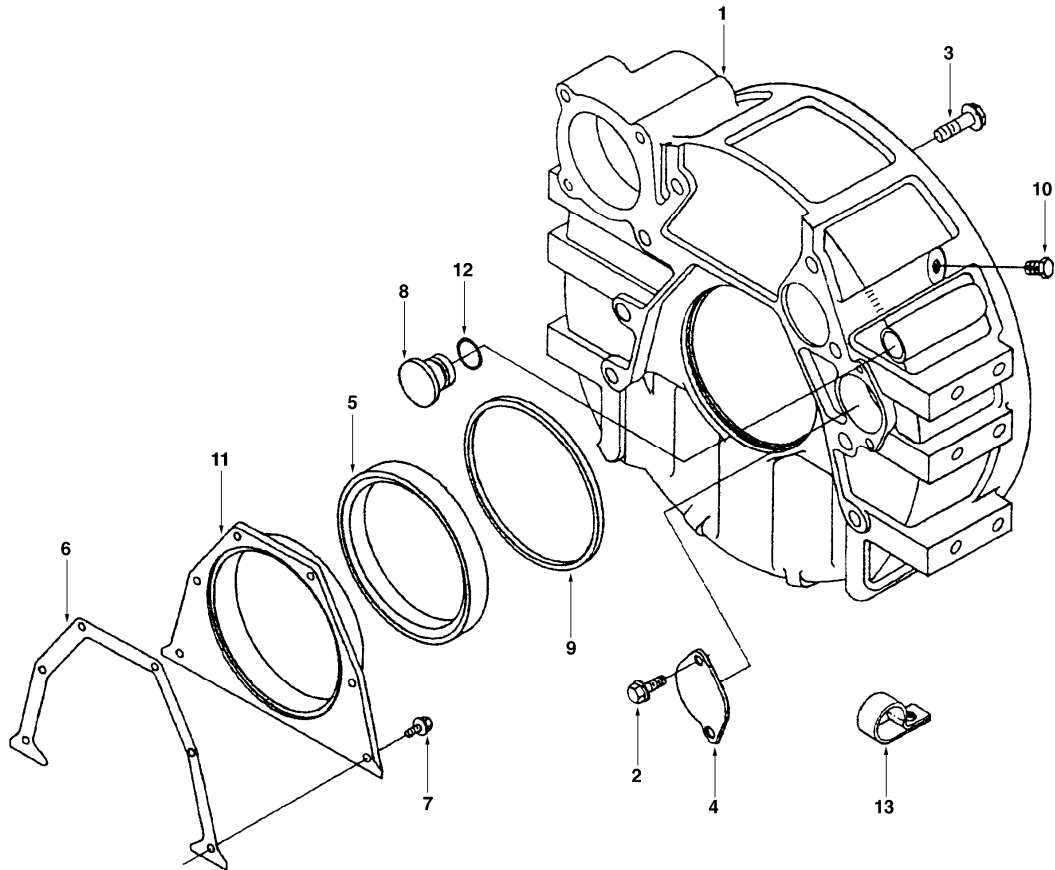
Volvo Construction  
Equipment Group  
SC106

Section option	Kit	Option description
SADF04B001		Air heater for engine Emission
SADF04B002		Without air pre-heater for engine Non Emission

Q1-Q5	Option	Option description
Q1 DF04B001	SADF04B001	Air heater for engine Emission
Q2 DF04B002	SADF04B002	Without air pre-heater for engine Non Emission

Pos	Part	Q1	Q2	Q3	Q4	Q5	PS	Kit	Description	Option(s)	Remark
1	SA3283767	1	1						Gasket		
2	SA3900629	2	2						Screw		
3	SA3925680	1	1						Cover		
4	SA3928759	2	2						Seal		

Date: <b>2013/10/4</b>	Image id: <b>SC107</b>	Catalogue: <b>56120</b>	Model: <b>EC140 LC</b>
Brand: <b>Volvo</b>	Serial: <b>3001-9999</b>	Group/Section: <b>212/300</b>	Title: <b>Flywheel housing</b>



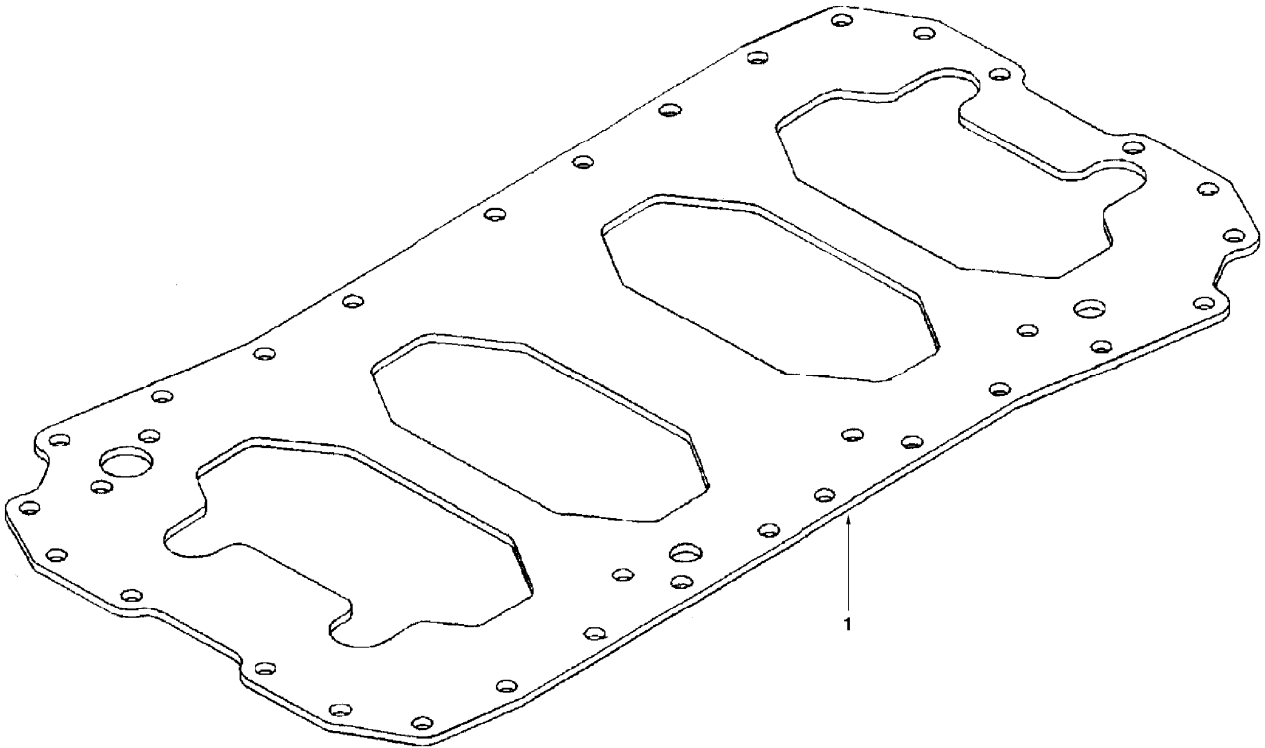
Section option	Kit	Option description
SADF04B001		Air heater for engine Emission
SADF04B002		Without air pre-heater for engine Non Emission

Q1-Q5	Option	Option description	
Q1 DF04B001	SADF04B001	Air heater for engine Emission	
Q2 DF04B002	SADF04B002	Without air pre-heater for engine Non Emission	

Pos	Part	Q1	Q2	Q3	Q4	Q5	PS	Kit	Description	Option(s)	Remark
1	SA3937426	1	1						Flywheel Hsg		(SA3931627)
2	SA3912072	2	2						Screw		
3	SA3920447	8	8						Screw		
4	SA3925234	1	1						Plate		
5	SA3934486	1	1						Seal		
6	SA3928493	1	1						Gasket		
7	SA3913638	6	6						Screw		

8	SA3910248	1	1						Plug		
9	SA3912473	1	1				SS		Seal		
10	SA3904181	1	1						Plug		
11	SA3921043	1	1				SS		Cover		
12	SA3910260	1	1						Seal		
13	SA3928989	1	1						Clip		

Date: <b>2013/10/4</b>	Image id: <b>SC108</b>	Catalogue: <b>56120</b>	Model: <b>EC140 LC</b>
Brand: <b>Volvo</b>	Serial: <b>3001-9999</b>	Group/Section: <b>212/400</b>	Title: <b>Noise panel</b>



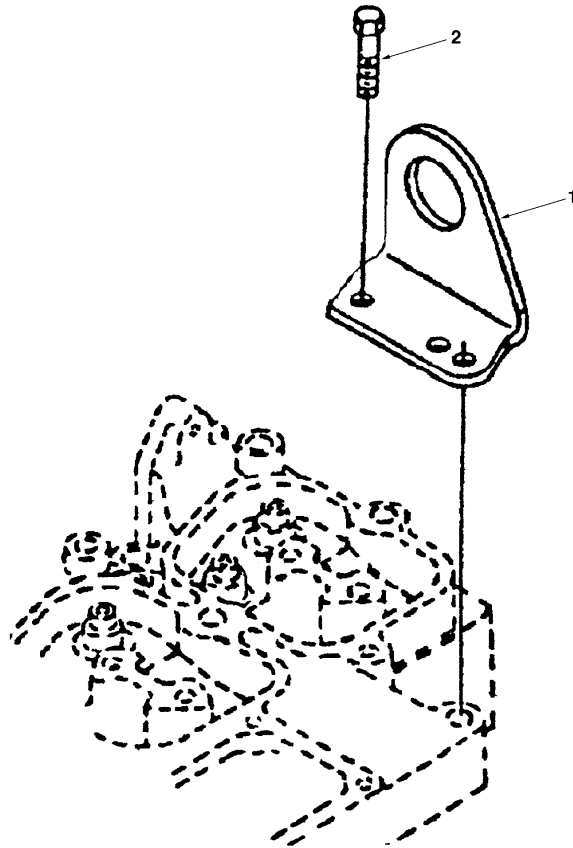
Volvo Construction  
Equipment Group  
SC108

Section option	Kit	Option description
SADF04B001		Air heater for engine Emission
SADF04B002		Without air pre-heater for engine Non Emission

Q1-Q5	Option	Option description	
Q1 DF04B001	SADF04B001	Air heater for engine Emission	
Q2 DF04B002	SADF04B002	Without air pre-heater for engine Non Emission	

Pos	Part	Q1	Q2	Q3	Q4	Q5	PS	Kit	Description	Option(s)	Remark
1	SA3929093	1	1						Plate		

Date: <b>2013/10/4</b>	Image id: <b>SC109</b>	Catalogue: <b>56120</b>	Model: <b>EC140 LC</b>
Brand: <b>Volvo</b>	Serial: <b>3001-9999</b>	Group/Section: <b>212/500</b>	Title: <b>Lifting eye</b>



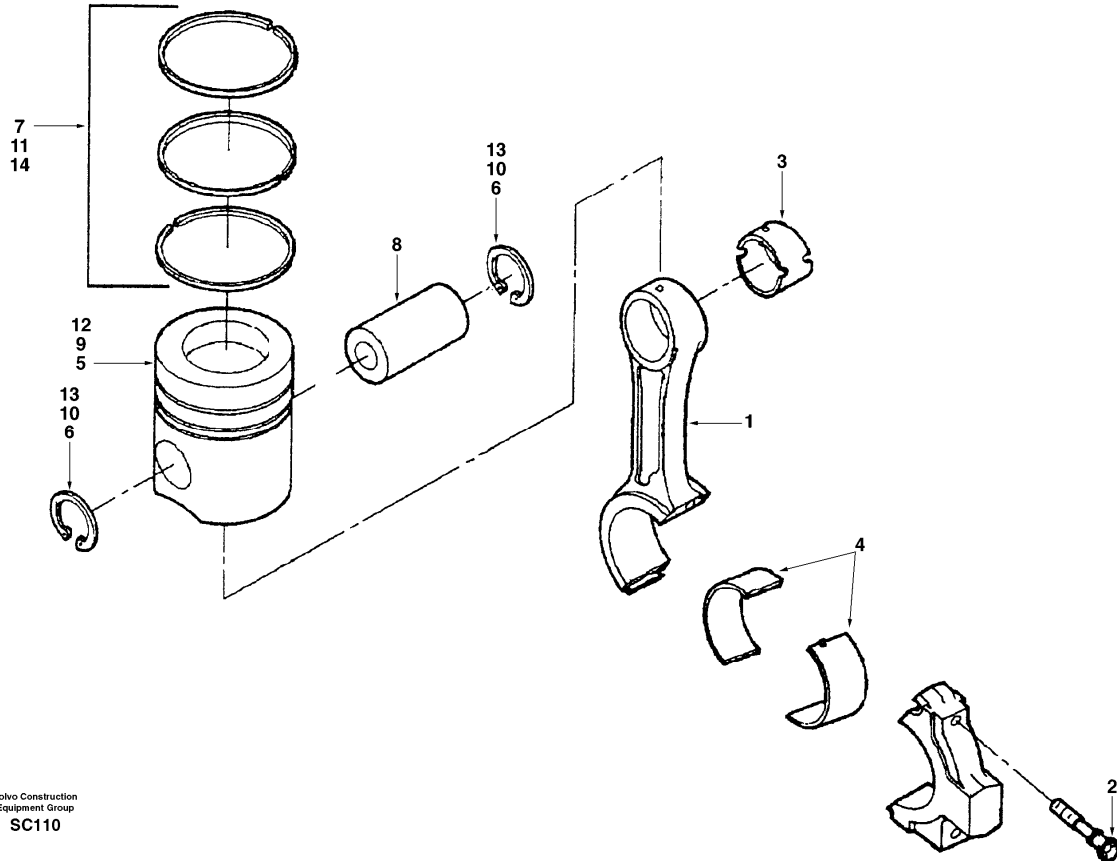
Volvo Construction  
Equipment Group  
SC109

Section option	Kit	Option description
SADF04B001		Air heater for engine Emission
SADF04B002		Without air pre-heater for engine Non Emission

Q1-Q5	Option	Option description	
Q1 DF04B001	SADF04B001	Air heater for engine Emission	
Q2 DF04B002	SADF04B002	Without air pre-heater for engine Non Emission	

Pos	Part	Q1	Q2	Q3	Q4	Q5	PS	Kit	Description	Option(s)	Remark
1	SA3908118	1	1						Bracket		
2	SA3910495	2	2						Bolt		

Date: <b>2013/10/4</b>	Image id: <b>SC110</b>	Catalogue: <b>56120</b>	Model: <b>EC140 LC</b>
Brand: <b>Volvo</b>	Serial: <b>3001-9999</b>	Group/Section: <b>213/100</b>	Title: <b>Connecting rod and piston</b>



Section option	Kit	Option description
SADF04B001		Air heater for engine Emission
SADF04B002		Without air pre-heater for engine Non Emission

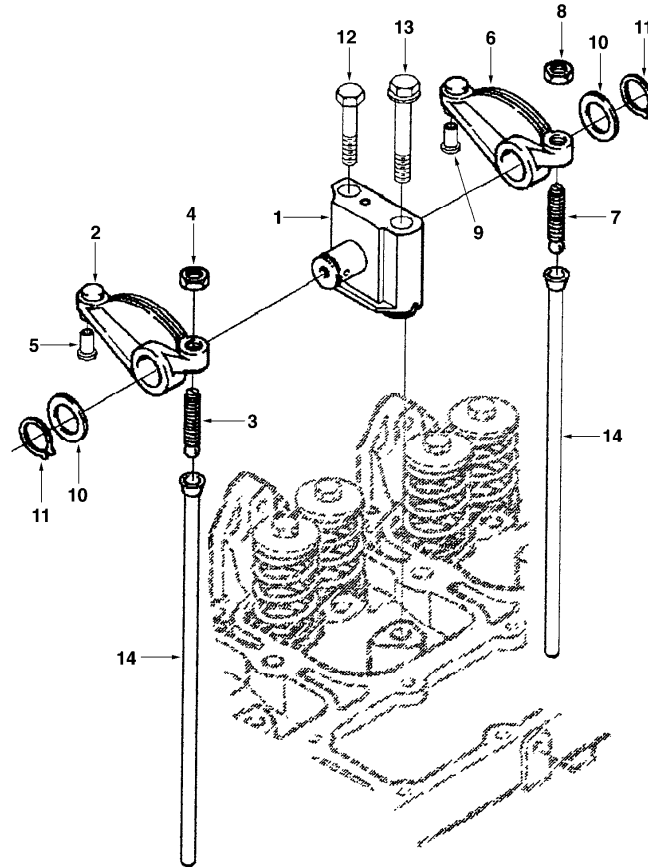
Q1-Q5	Option	Option description	
Q1 DF04B001	SADF04B001	Air heater for engine Emission	
Q2 DF04B002	SADF04B002	Without air pre-heater for engine Non Emission	

Pos	Part	Q1	Q2	Q3	Q4	Q5	PS	Kit	Description	Option(s)	Remark
1	SA3942581	1	1						Connecting Rod		
2	SA3900919	2	2						•Screw		
3	SA3941476	1	1						•Bushing		
4	SA3901170	2	2						Bearing		
	SA3901171	REQ	REQ						Bearing		0.25MM O SZ
	SA3901172	REQ	REQ						Bearing		0.50MM O SZ
	SA3901173	REQ	REQ						Bearing		0.75MM O SZ

	SA3901174	REQ	REQ						Bearing		1.00MM O SZ
5	SA3802747	4							Piston		
	SA3802100		4						Piston		
6	SA3901706	2	2						•Retaining ring		SNAP
7	SA3802746	1							•Piston ring kit		PISTON
8	SA3934047	4							Pin		(SA3919053)
	SA3901793		4						Gudgeon pin		
9	SA3802764	4							Piston		0.50MM O SZ
	SA3802100		4						Piston		(SA3802102)0.50MM O SZ
10	SA3901706	2	2						•Retaining ring		SNAP
11	SA3802422	1							•Ring		PISTON
12	SA3802765	4							Piston		1.00MM O SZ
	SA3802104		4				SS		Piston		1.00MM O SZ
13	SA3901706	2	2						•Retaining ring		SNAP
14	SA3802423	1							•Ring		PISTON



Date: <b>2013/10/4</b>	Image id: <b>SC111</b>	Catalogue: <b>56120</b>	Model: <b>EC140 LC</b>
Brand: <b>Volvo</b>	Serial: <b>3001-9999</b>	Group/Section: <b>214/200</b>	Title: <b>Rocker arm</b>



Volvo Construction  
Equipment Group  
SC111

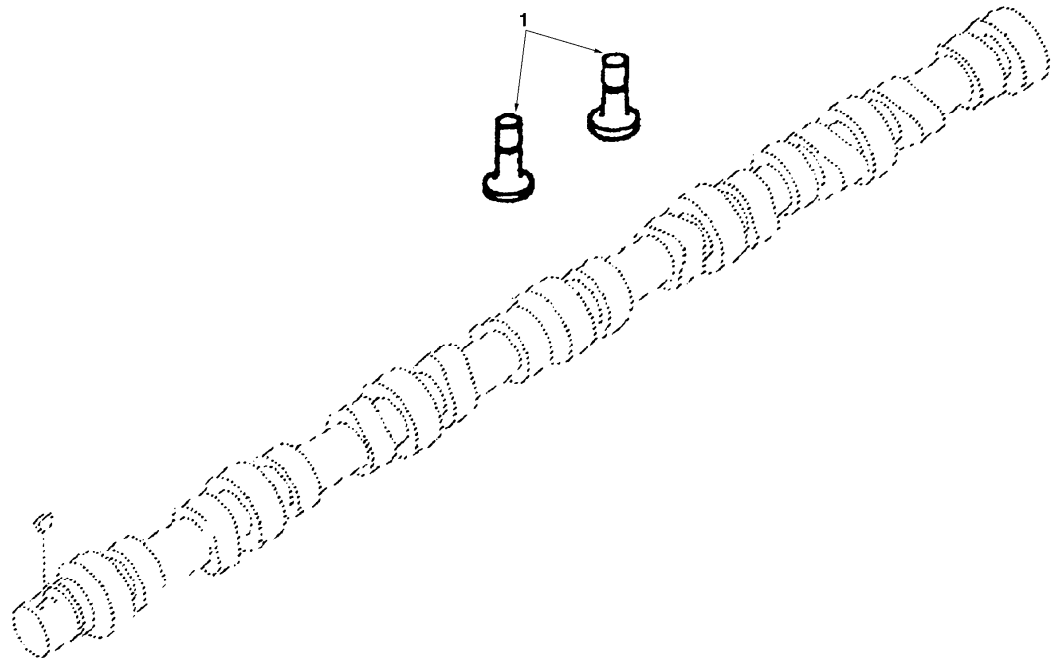
Section option	Kit	Option description
SADF04B001		Air heater for engine Emission
SADF04B002		Without air pre-heater for engine Non Emission

Q1-Q5	Option	Option description	
Q1 DF04B001	SADF04B001	Air heater for engine Emission	
Q2 DF04B002	SADF04B002	Without air pre-heater for engine Non Emission	

Pos	Part	Q1	Q2	Q3	Q4	Q5	PS	Kit	Description	Option(s)	Remark
1	SA3922488	4	4						Support		
2	SA3910811	4	4						Rocker Arm		
3	SA3900706	1	1				SS		•Screw		
4	SA3927692	1	1						•Nut		
5	SA3900705	1	1				NS		•Insert		
6	SA3910810	4	4						Rocker Arm		
7	SA3900706	1	1				SS		•Screw		

8	SA3927692	1	1						•Nut		
9	SA3900705	1	1				NS		•Insert		
10	SA3900245	8	8						Washer		
11	SA3900242	8	8						Ring		
12	SA3901221	4	4						Bolt		
13	SA3920781	4	4						Bolt		
14	SA3284377	8	8						Bar		(SA3923262)

Date: <b>2013/10/4</b>	Image id: <b>SC112</b>	Catalogue: <b>56120</b>	Model: <b>EC140 LC</b>
Brand: <b>Volvo</b>	Serial: <b>3001-9999</b>	Group/Section: <b>214/300</b>	Title: <b>Valve tappet</b>



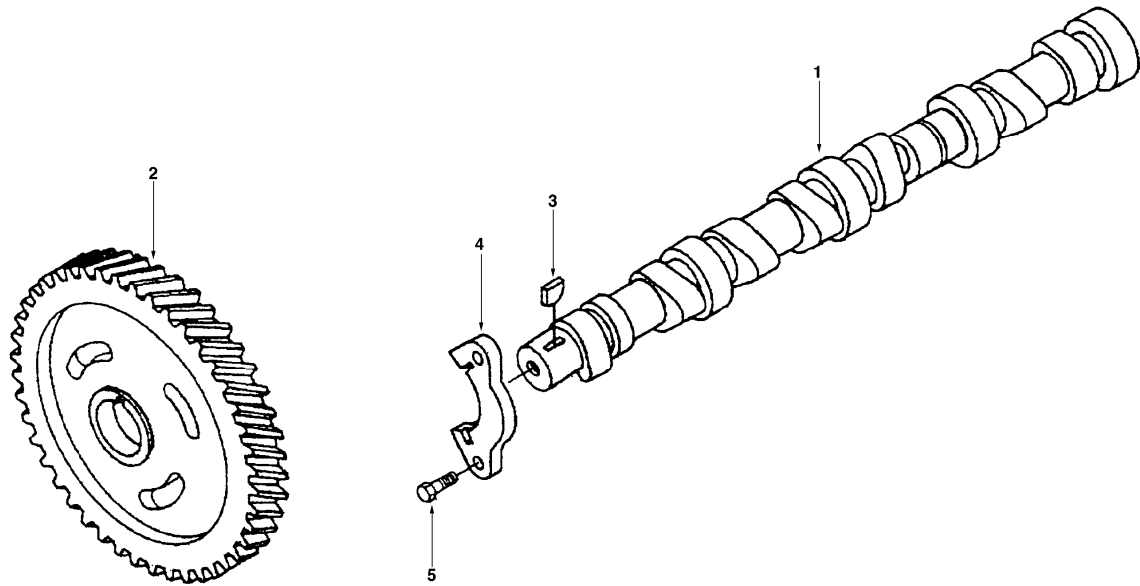
Volvo Construction  
Equipment Group  
SC112

Section option	Kit	Option description
SADF04B001		Air heater for engine Emission
SADF04B002		Without air pre-heater for engine Non Emission

Q1-Q5	Option	Option description	
Q1 DF04B001	SADF04B001	Air heater for engine Emission	
Q2 DF04B002	SADF04B002	Without air pre-heater for engine Non Emission	

Pos	Part	Q1	Q2	Q3	Q4	Q5	PS	Kit	Description	Option(s)	Remark
1	SA3931623	8	8						Tappet		

Date: <b>2013/10/4</b>	Image id: <b>SC113</b>	Catalogue: <b>56120</b>	Model: <b>EC140 LC</b>
Brand: <b>Volvo</b>	Serial: <b>3001-9999</b>	Group/Section: <b>215/100</b>	Title: <b>Camshaft</b>



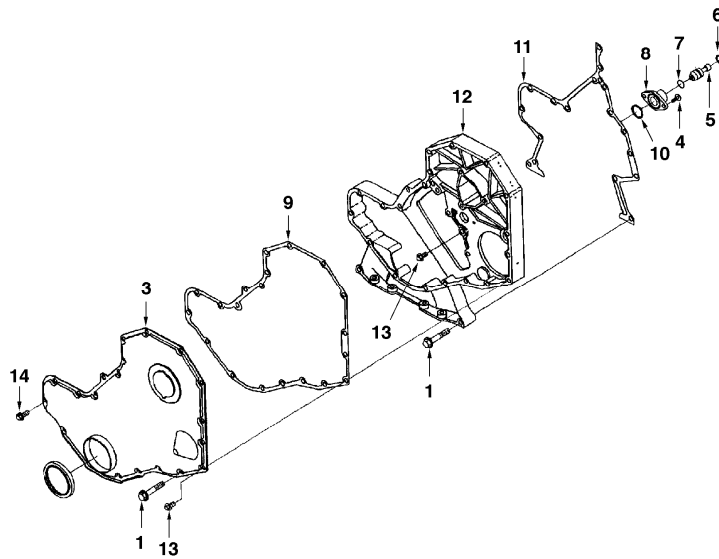
Volvo Construction  
Equipment Group  
SC113

Section option	Kit	Option description
SADF04B001		Air heater for engine Emission
SADF04B002		Without air pre-heater for engine Non Emission

Q1-Q5	Option	Option description	
Q1 DF04B001	SADF04B001	Air heater for engine Emission	
Q2 DF04B002	SADF04B002	Without air pre-heater for engine Non Emission	

Pos	Part	Q1	Q2	Q3	Q4	Q5	PS	Kit	Description	Option(s)	Remark
1	SA3929885	1							Camshaft		
	SA3929039		1						Camshaft		
2	SA3929028	1							Gear		
	SA3929030		1						Gear		
3	SA3902332	1	1						Key		
4	SA3927155	1	1						Support		
5	SA3900227	2	2						Screw		

Date: <b>2013/10/4</b>	Image id: <b>SC114</b>	Catalogue: <b>56120</b>	Model: <b>EC140 LC</b>
Brand: <b>Volvo</b>	Serial: <b>3001-9999</b>	Group/Section: <b>215/200</b>	Title: <b>Timing gear casing</b>



Volvo Construction  
Equipment Group  
SC114

Section option	Kit	Option description
SADF04B001		Air heater for engine Emission
SADF04B002		Without air pre-heater for engine Non Emission

Q1-Q5	Option	Option description	
Q1 DF04B001	SADF04B001	Air heater for engine Emission	
Q2 DF04B002	SADF04B002	Without air pre-heater for engine Non Emission	

Pos	Part	Q1	Q2	Q3	Q4	Q5	PS	Kit	Description	Option(s)	Remark
1	SA3900633	11	11						Screw		
2	SA3804899	1	1						Seal		
3	SA3941911	1							Cover		
	SA3903794		1						Cover		
4	SA3907998	2	2						Screw		
5	SA3903924	1	1						Pin		
6	SA3904849	1	1						Ring		



**Download the full PDF manual instantly.**

**Our customer service e-mail:**

**[aservicemanualpdf@yahoo.com](mailto:aservicemanualpdf@yahoo.com)**