

**1428V
TRACTOR
SERVICE MANUAL**

1449562M1

TABLE OF CONTENTS

INTRODUCTION	01
GENERAL INFORMATION	02
DISASSEMBLY OF MAJOR COMPONENTS.....	03
ENGINE ACCESSORIES	04a
ENGINE	04b
CLUTCH.....	05
TRANSMISSION	06
REAR TRANSMISSION	07
REAR AXLE HOUSING	08
4WD FRONT AXLE	09
HYDRAULIC SYSTEM	10
STEERING SYSTEM	11
ELECTRICAL ACCESSORIES.....	12
LUBRICATION & MAINTENANCE	13

TABLE OF CONTENTS

GENERAL INFORMATION B-2

 TRACTOR TYPE AND OTHER IDENTIFICATION MARKINGS B-2

 TRACTOR, ENGINE MODEL, AND RESPECTIVE SERIAL NUMBERS B-2

 SPECIFICATIONS B-3

 GENERAL DIMENSIONS B-6

 GENERAL PRECAUTIONS FOR SEPARATION AND REINSTALLATION B-7

 GEAR TRAIN DIAGRAM B-10

 SPEED & REDUCTION RATIOS B-11

GENERAL INFORMATION

TRACTOR TYPE AND OTHER IDENTIFICATION MARKINGS

FIG. 1: Identification Markings

- a. Engine model name
- b. Piston displacement (liter)
- c. Serial number
- 1. Tractor serial number
- 2. Chassis serial number
- 3. Engine information

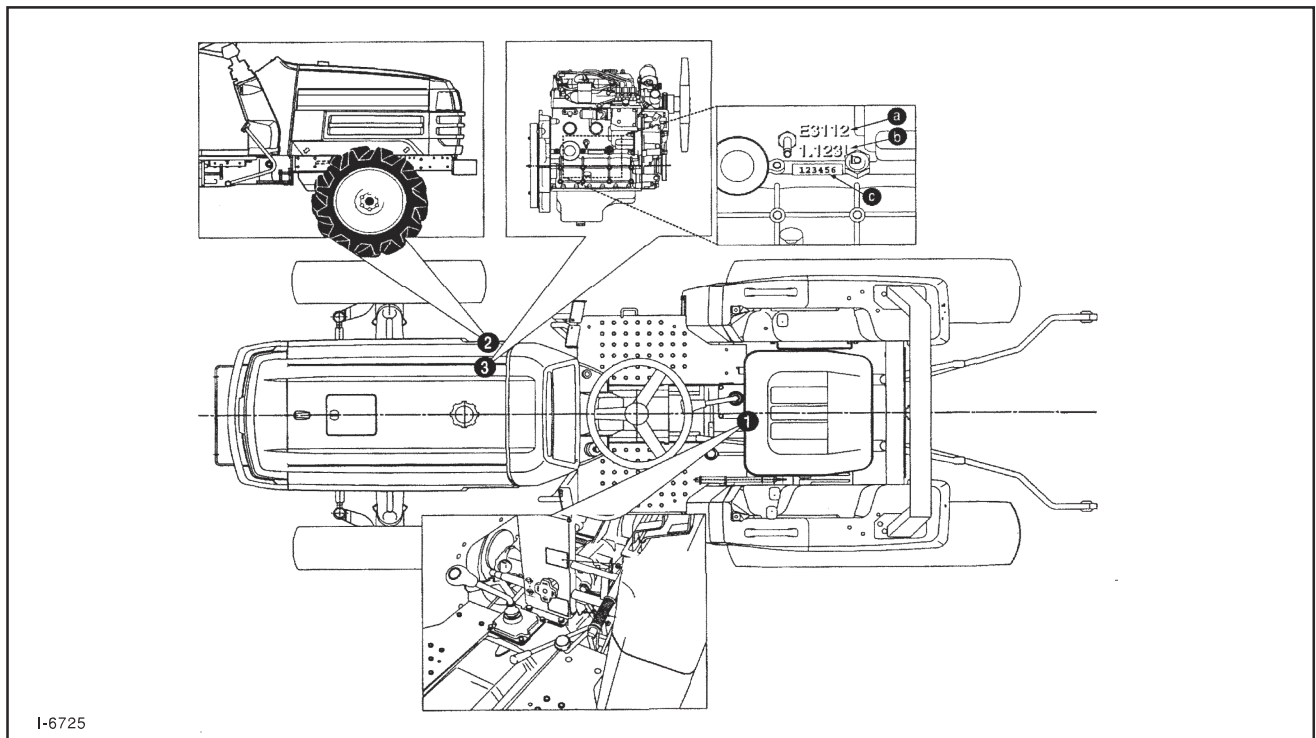


FIG. 1

TRACTOR, ENGINE MODEL, AND RESPECTIVE SERIAL NUMBERS

FIG. 2: Each tractor is identified by means of the tractor model and serial numbers. As a further identification, the engine and chassis are also provided with identification numbers. They are provided as shown.

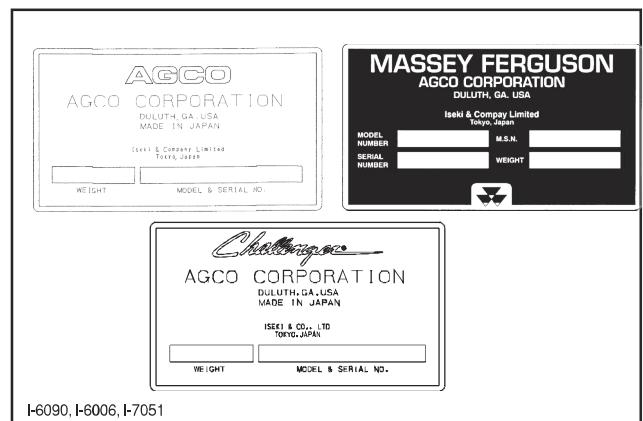


FIG. 2

SPECIFICATIONS

These specifications are subject to change without notice.

Engine

Make ISEKI Diesel
Model E3CF
Type Indirect injection, overhead valve
Displacement 1.463 lit. (89.3 cu in)
Number of cylinders 3
Bore 86 mm (3.385")
Stroke 84 mm (3.307")
Engine horsepower (net) @ engine revolution min (rpm) 27.6 / 2500
PTO horsepower (estimate) 24.2 @ 585 PTO rpm
Firing order 1-3-2
Compression ratio 21.7:1
Low idle speed 930 - 970 rpm
High idle speed 2650 - 2750 rpm
Valve clearance (cold) - intake and exhaust 0.35 mm (.014")
Air cleaner Single stage - dry element
Engine cooling Liquid, forced circulation
Cold starting Glow plugs (3)

Transmission

Primary F3/R1
Range 3
Gear selections F9/R3
Clutch Dry dual disc (Dia: 215 mm) 8.46"
Brakes Mechanically actuated, sealed wet disc

Speed range	Forward	1	1.91km/h (1.18 mph)
(Ag tires)		2	2.82 km/h (1.75 mph)
		3	3.91 km/h (2.43 mph)
		4	4.80 km/h (2.98 mph)
		5	7.06 km/h (4.39 mph)
		6	9.79 km/h (6.08 mph)
		7	10.57 km/h (6.57 mph)
		8	15.57 km/h (6.57 mph)
		9	21.56 km/h (13.40 mph)
	Reverse	1	1.97 km/h (1.22 mph)
		2	4.95 km/h (3.08 mph)
		3	10.90 km/h (6.77 mph)

B-4 - GENERAL INFORMATION

Power Take-Off (PTO)

Control	Lever and pedal
Rear PTO shaft	35 mm (1.375 in) diameter - six spline
Output	Clockwise rotation
Speeds @ engine rpm	540 @ 2327
Mid PTO (accessory) shaft	25 mm (1") diameter
Output	Clockwise rotation
Speeds @ engine revolution min ⁻¹ (rpm)	2000 @ 2500

Hydraulics

Main hydraulic system	
Pump	Gear pump (Open center)
Output – maximum	28 liters/min (7.4 gal/min)
Pressure - relief valve setting	150 kgf/cm ² (2130 psi)
Rear linkage type	
Control	Operated by single "position" control lever
Draft control (optional)	Top link sensing
Lift capacity	900 kg (1984 lb) measured at link ends
Steering system type	
Pump	Gear/ Flow divider
Output - maximum	9.61 liters/min (2.5 gal/min)
Pressure - relief valve setting	120 kgf/cm ³ (1707 psi)

Electrical System

System voltage	12 volt - negative (-) ground
Battery cca @ - 18°C (0°F)	582 cca
Charging	40 amp alternator with internal regulator

Capacities

Engine crankcase with filter	3.6 liters (3.8 qts.)
Transmission and differential housing (including hydraulics)	14.0 liters (14.8 qts.)
Fuel tank	23 liters (6.1 gals.)
Cooling system	7.1 liters (7.5 qts.)
Front axle - four-wheel drive	4.5 liters (4.7 qts.)

Track Setting**Front four-wheel drive**

Agricultural tires (dished in only)	960 mm (37.8")
24 x 8.5-12 Turf tires (dished in only)	1067 mm (42")
27 x 8.5-15 Turf tires (dished in only)	1020mm (40.2")
R-4	1080 mm (42.5")

Front two-wheel drive

Agricultural tires	912mm, 1013mm (35.9", 39.9")
Turf tires	1010mm (39.9")

Rear four-wheel drive

Agricultural tires (adjustable wheels)	1096 mm (43.1")
Turf tires 315/80D-16	946 mm, 966 mm (37.2", 38.0")
Turf tires 13.6-16	931mm, 980mm (36.7", 38.6")
R-4	959 mm (37.8")

Maximum Axle Loading

Front four-wheel drive - both models	815 kg
Rear axle - both models	1000 kg

B-6 - GENERAL INFORMATION

GENERAL DIMENSIONS

	Reference	AG 2-WD	TURF 2-WD	AG 4-WD	TURF 4-WD (a)	TURF 4-WD (b)	R-4 4-WD
A1	Height over steering wheel	43.3" (1100 mm)	42.5 " (1080 mm)	43.3" (1100 mm)	42.5 " (1080 mm)	43.7 " (1110 mm)	44.2" (1123 mm)
A2	Height over ROPS	78.3" (1990 mm)	77.6" (1970 mm)	78.3" (1990 mm)	77.6" (1970 mm)	78.7" (2000 mm)	79.2" (2012 mm)
B	Minimum width	48.7" (1237 mm)	50.5" (1282 mm)	55.6" (1411 mm)	49.6" (1262 mm)	52.1" (1323 mm)	50.5" (1283 mm)
C	Overall length	116.5" (2960 mm)	116.5" (2960 mm)	116.5" (2960 mm)	116.5" (2960 mm)	116.5" (2960 mm)	116.5" (2960)
D	Wheelbase	64.6" (1640 mm)	64.6" (1640 mm)	64.6" (1640 mm)	64.6" (1640 mm)	64.6" (1640 mm)	64.6" (1640 mm)
E	Minimum ground clearance	12" (305 mm)	11.2" (285 mm)	12" (305 mm)	11.2" (285 mm)	11.2" (285 mm)	12.5" (318 mm)
—	Turning radius w/out brake			(3100 mm)	(3200 mm)		(3100 mm)
—	Weight (Std.) (w/fuel, oil & coolant)	1863 lbs. (845 kg)	1852 lbs. (840 kg)	1995 lbs. (905 kg)	1951 lbs. (885 kg)	2006 lbs. (910 kg)	2092 lbs. (949 kg)

(a) 315 x 800 - 16

(b) 13.6 x 16 rear tires

