

**AXIAL-FLOW® 5150**  
**AXIAL-FLOW® 6150**  
**AXIAL-FLOW® 7150**  
**Tier 4B (final)**  
**Combine**

*PIN YJG016001 and above*

**SERVICE MANUAL**

**Part number 51610174**

1<sup>st</sup> edition English

March 2019



## Link Product / Engine

---

<b>Product</b>	<b>Market Product</b>	<b>Engine</b>
AXIAL-FLOW® 5150 Tier 4B (final) [YJG016001 - ]	North America	F4HFE613C*B004
AXIAL-FLOW® 6150 Tier 4B (final) [YJG016001 - ]	North America	F2CFE613B*B
AXIAL-FLOW® 7150 Tier 4B (final) [YJG016001 - ]	North America	F2CFE613A*B

# Contents

---

## INTRODUCTION

<b>Engine</b> .....	<b>10</b>
[10.001] Engine and crankcase .....	10.1
[10.202] Air cleaners and lines .....	10.2
[10.206] Fuel filters .....	10.3
[10.210] Lift pump and lines .....	10.4
[10.216] Fuel tanks .....	10.5
[10.254] Intake and exhaust manifolds and muffler .....	10.6
[10.304] Engine lubrication system.....	10.7
[10.310] Aftercooler.....	10.8
[10.400] Engine cooling system .....	10.9
[10.408] Oil cooler and lines.....	10.10
[10.414] Fan and drive .....	10.11
[10.419] Stationary air screen .....	10.12
[10.450] Engine air compressor .....	10.13
[10.500] Selective Catalytic Reduction (SCR) exhaust treatment.....	10.14
<b>Main gearbox and drive</b> .....	<b>14</b>
[14.100] Main gearbox and drive .....	14.1
<b>Transmission</b> .....	<b>21</b>
[21.114] Mechanical transmission .....	21.1
[21.100] Mechanical transmission hydraulic components.....	21.2
[21.140] Mechanical transmission internal components.....	21.3
[21.145] Gearbox internal components.....	21.4
[21.182] Differential.....	21.5
<b>Front axle system</b> .....	<b>25</b>
[25.100] Powered front axle .....	25.1

[25.108] Final drive hub, steering knuckles, and shafts .....	25.2
[25.310] Final drives .....	25.3
<b>Rear axle system.....</b>	<b>27</b>
[27.124] Final drive hub, steering knuckles, and shafts .....	27.1
[27.450] Rear-powered steerable axle .....	27.2
[27.550] Non-powered rear axle.....	27.3
<b>Hydrostatic drive.....</b>	<b>29</b>
[29.100] Transmission and steering hydrostatic control .....	29.1
[29.204] Reservoir, cooler, and lines .....	29.2
[29.218] Pump and motor components.....	29.3
[29.202] Hydrostatic transmission .....	29.4
<b>Brakes and controls .....</b>	<b>33</b>
[33.202] Hydraulic service brakes .....	33.1
[33.110] Parking brake or parking lock .....	33.2
<b>Hydraulic systems.....</b>	<b>35</b>
[35.000] Hydraulic systems.....	35.1
[35.300] Reservoir, cooler, and filters.....	35.2
[35.106] Variable displacement pump .....	35.3
[35.102] Pump control valves.....	35.4
[35.359] Main control valve.....	35.5
[35.322] Regulated/Low pressure system .....	35.6
[35.220] Auxiliary hydraulic pump .....	35.7
[35.100] Main lift system.....	35.8
[35.410] Header or attachment height system .....	35.9
[35.518] Reel control system .....	35.10
[35.780] Feeder engagement system .....	35.11
[35.536] Crop processor system .....	35.12
[35.796] Chaff spreader control .....	35.13

[35.745] Vacuum system hydraulic circuit .....	35.14
<b>Steering</b> .....	<b>41</b>
[41.101] Steering control .....	41.1
[41.200] Hydraulic control components.....	41.2
[41.206] Pump .....	41.3
[41.216] Cylinders .....	41.4
<b>Wheels</b> .....	<b>44</b>
[44.511] Front wheels.....	44.1
<b>Cab climate control</b> .....	<b>50</b>
[50.100] Heating .....	50.1
[50.200] Air conditioning.....	50.2
<b>Electrical systems</b> .....	<b>55</b>
[55.000] Electrical system .....	55.1
[55.010] Fuel injection system.....	55.2
[55.011] Fuel tank system .....	55.3
[55.012] Engine cooling system .....	55.4
[55.013] Engine oil system .....	55.5
[55.014] Engine intake and exhaust system.....	55.6
[55.015] Engine control system.....	55.7
[55.019] Hydrostatic drive control system .....	55.8
[55.020] Transmission speed sensors.....	55.9
[55.023] Transmission position sensors and switches .....	55.10
[55.024] Transmission control system.....	55.11
[55.030] Service brake electrical system .....	55.12
[55.031] Parking brake electrical system .....	55.13
[55.036] Hydraulic system control .....	55.14
[55.046] Rear axle control system.....	55.15
[55.047] Steering control system .....	55.16

[55.050] Heating, Ventilation, and Air-Conditioning (HVAC) control system.....	55.17
[55.100] Harnesses and connectors.....	55.18
[55.201] Engine starting system.....	55.19
[55.202] Cold start aid.....	55.20
[55.301] Alternator.....	55.21
[55.302] Battery.....	55.22
[55.404] External lighting.....	55.23
[55.405] External lighting switches and relays.....	55.24
[55.408] Warning indicators, alarms, and instruments.....	55.25
[55.421] Feeding control system.....	55.26
[55.422] Ejection/Unloading control system.....	55.27
[55.423] Cleaning control system.....	55.28
[55.426] Harvest material flow control system.....	55.29
[55.510] Cab or platform harnesses and connectors.....	55.30
[55.511] Light harnesses.....	55.31
[55.512] Cab controls.....	55.32
[55.514] Cab lighting.....	55.33
[55.518] Wiper and washer system.....	55.34
[55.519] Cab brake controls.....	55.35
[55.520] Cab harvesting controls.....	55.36
[55.525] Cab engine controls.....	55.37
[55.620] Electro-hydraulic engagement electric circuit.....	55.38
[55.624] Residue handling control.....	55.39
[55.628] Threshing electrical control.....	55.40
[55.640] Electronic modules.....	55.41
[55.661] Cab header controls.....	55.42
[55.662] Header height control.....	55.43
[55.670] Header leveling control.....	55.44
[55.675] Reel speed and position control.....	55.45

[55.680] Autopilot/Autoguidance .....	55.46
[55.780] Shaker shoe leveling system control.....	55.47
[55.785] Precision farming system .....	55.48
[55.834] Sieve electric control .....	55.49
[55.836] Rotary separator control .....	55.50
[55.911] Satellite navigation systems.....	55.51
[55.988] Selective Catalytic Reduction (SCR) electrical system .....	55.52
[55.DTC] FAULT CODES.....	55.53
<b>Product feeding .....</b>	<b>60</b>
[60.105] Floating roll, feed chain, and drive .....	60.1
[60.110] Feeder housing.....	60.2
[60.120] Header drive system .....	60.3
[60.150] Feeder drive system .....	60.4
[60.112] Stone trapping system .....	60.5
[60.500] Gearbox housing .....	60.6
<b>Threshing .....</b>	<b>66</b>
[66.260] Threshing mechanism drive system .....	66.1
[66.331] Rotor .....	66.2
[66.330] Drum .....	66.3
[66.321] Drum/Rotor variator with electrical control .....	66.4
[66.101] Concave conveyor plate .....	66.5
[66.110] Concave control system.....	66.6
<b>Separation .....</b>	<b>72</b>
[72.220] Discharge beater .....	72.1
[72.420] Rotary separator .....	72.2
[72.410] Rotary separator drive system .....	72.3
<b>Residue handling .....</b>	<b>73</b>
[73.230] Straw chopper.....	73.1

[73.210] Straw chopper drive system.....	73.2
[73.430] Straw spreader .....	73.3
<b>Cleaning.....</b>	<b>74</b>
[74.000] Cleaning.....	74.1
[74.101] Cleaning drive systems .....	74.2
[74.114] Upper shaker shoe .....	74.3
[74.118] Lower shaker shoe .....	74.4
[74.130] Fan housing .....	74.5
[74.136] Fan drive system .....	74.6
[74.140] Tailings return system .....	74.7
<b>Crop storage / Unloading .....</b>	<b>80</b>
[80.101] Clean grain elevator.....	80.1
[80.150] Grain tank .....	80.2
[80.175] Grain tank unload drive system .....	80.3
[80.180] Grain tank unload .....	80.4
<b>Platform, cab, bodywork, and decals.....</b>	<b>90</b>
[90.150] Cab.....	90.1
[90.151] Cab interior.....	90.2
[90.124] Pneumatically-adjusted operator seat.....	90.3
[90.100] Engine hood and panels .....	90.4
[90.105] Machine shields and guards .....	90.5





# INTRODUCTION

---

## Safety rules - Ecology and the environment

Soil, air, and water quality is important for all industries and life in general. When legislation does not yet rule the treatment of some of the substances that advanced technology requires, sound judgment should govern the use and disposal of products of a chemical and petrochemical nature.

Familiarize yourself with the relative legislation applicable to your country, and make sure that you understand this legislation. Where no legislation exists, obtain information from suppliers of oils, filters, batteries, fuels, anti-freeze, cleaning agents, etc., with regard to the effect of these substances on man and nature and how to safely store, use, and dispose of these substances.

### Helpful hints

- Avoid the use of cans or other inappropriate pressurized fuel delivery systems to fill tanks. Such delivery systems may cause considerable spillage.
- In general, avoid skin contact with all fuels, oils, acids, solvents, etc. Most of these products contain substances that may be harmful to your health.
- Modern oils contain additives. Do not burn contaminated fuels and or waste oils in ordinary heating systems.
- Avoid spillage when you drain fluids such as used engine coolant mixtures, engine oil, hydraulic fluid, brake fluid, etc. Do not mix drained brake fluids or fuels with lubricants. Store all drained fluids safely until you can dispose of the fluids in a proper way that complies with all local legislation and available resources.
- Do not allow coolant mixtures to get into the soil. Collect and dispose of coolant mixtures properly.
- The air-conditioning system contains gases that should not be released into the atmosphere. Consult an air-conditioning specialist or use a special extractor to recharge the system properly.
- Repair any leaks or defects in the engine cooling system or hydraulic system immediately.
- Do not increase the pressure in a pressurized circuit as this may lead to a component failure.
- Protect hoses during welding. Penetrating weld splatter may burn a hole or weaken hoses, allowing the loss of oils, coolant, etc.

### Battery recycling

Batteries and electric accumulators contain several substances that can have a harmful effect on the environment if the batteries are not properly recycled after use. Improper disposal of batteries can contaminate the soil, groundwater, and waterways. CASE IH strongly recommends that you return all used batteries to a CASE IH dealer, who will dispose of the used batteries or recycle the used batteries properly. In some countries, this is a legal requirement.



### Mandatory battery recycling

**NOTE:** The following requirements are mandatory in Brazil.

Batteries are made of lead plates and a sulfuric acid solution. Because batteries contain heavy metals such as lead, CONAMA Resolution 401/2008 requires you to return all used batteries to the battery dealer when you replace any batteries. Do not dispose of batteries in your household garbage.

Points of sale are obliged to:

- Accept the return of your used batteries
- Store the returned batteries in a suitable location
- Send the returned batteries to the battery manufacturer for recycling

---

## Safety rules - Personal safety

**Carefully study these precautions, and those included in the external attachment operators manual, and insist that they be followed by those working with and for you.**

1. Thoroughly read and understand this manual and the attachment Operator's Manual before operating this or any other equipment.
2. Be sure all people and pets are clear of the machine before starting. Sound the horn, if equipped, three times before starting engine.
3. Only the operator should be on the machine when in operation. Never allow anyone to climb on to the machine while it is in motion. If the machine is equipped with an Instructors Seat, this must only be used for training purposes. Passengers must not be allowed to use the Instructors Seat.
4. Keep all shields in place. Never work around the machine or any of the attachments while wearing loose clothing that might catch on moving parts.
5. Observe the following precautions whenever lubricating the machine or making adjustments.
  - Disengage all clutching levers or switches.
  - Lower the attachment, if equipped, to the ground or raise the attachment completely and engage the cylinder safety locks. Completing these actions will prevent the attachment from lowering unexpectedly.
  - Engage the parking brake.
  - Shut off the engine and remove the key.
  - Wait for all machine movement to stop before leaving the operators platform.
6. Always keep the machine in gear while travelling downhill.
7. The machine should always be equipped with sufficient front or rear axle weight for safe operation.
8. Under some field conditions, more weight may be required at the front or rear axle for adequate stability. This is especially important when operating in hilly conditions or/when using heavy attachments.
9. Always lower the attachment, shut off the engine, set the parking brake, engage the transmission gears, remove the key and wait for all machine movement to stop before leaving the operators platform.
10. If the attachment or machine should become obstructed or plugged; set the parking brake, shut off the engine and remove the key, engage the transmission gears, wait for all machine or attachment motion to come to a stop, before leaving the operators platform to removing the obstruction or plug.
11. Never disconnect or make any adjustments to the hydraulic system unless the machine and/or the attachment is lowered to the ground or the safety lock(s) is in the engaged position.
12. Use of the flashing lights is highly recommended when operating on a public road.
13. When transporting on a road or highway, use accessory lights and devices for adequate warning to the operators of other vehicles. In this regard, check local government regulations. Various safety lights and devices are available from your CASE IH dealer.
14. Practice safety 365 days a year.
15. Keep all your equipment in safe operating condition.
16. Keep all guards and safety devices in place.
17. Always set the parking brake, shut off the engine and remove the key, engage the transmission gears, wait for all machine or attachment motion to come to a stop, before leaving the operators platform to service the machine and attachment.
18. Remember: A careful operator is the best insurance against an accident.
19. Extreme care should be taken in keeping hands and clothing away from moving parts.



## **SERVICE MANUAL**

### **Engine**

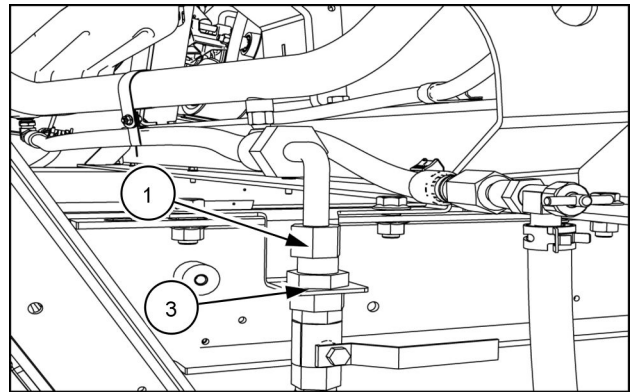
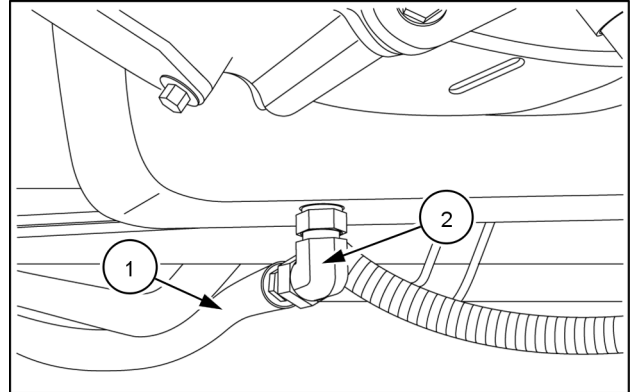
**AXIAL-FLOW® 5150 Tier 4B (final) [YJG016001 - ]**  
**AXIAL-FLOW® 6150 Tier 4B (final) [YJG016001 - ]**  
**AXIAL-FLOW® 7150 Tier 4B (final) [YJG016001 - ]**

## Engine - Remove engine oil drain line and drain valve

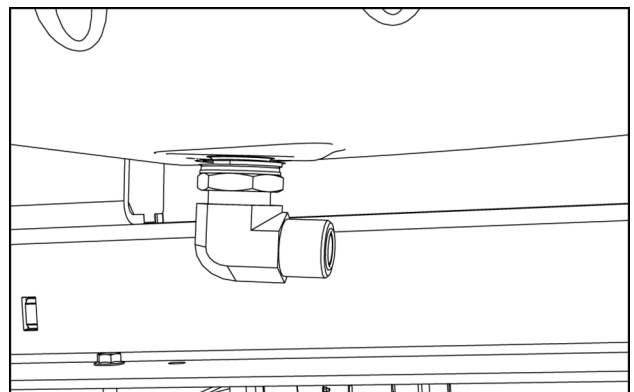
Prior operation:  
Engine - Drain fluid (10.001)

### 5150

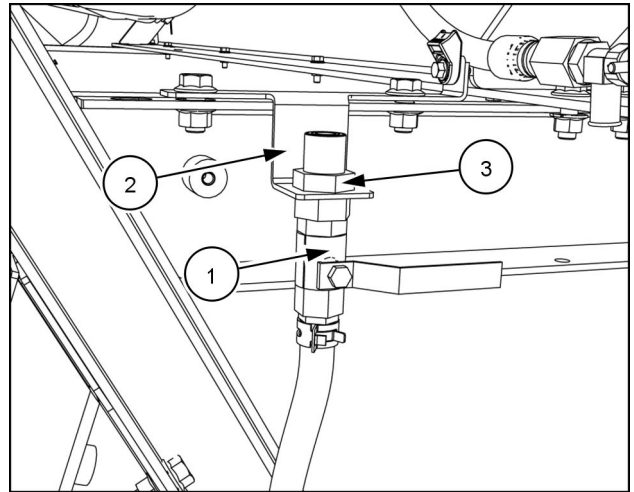
1. Remove the engine oil drain hose (1) from the elbow connector (2) at oil pan and at the oil drain valve (3).



2. Remove the elbow connector from oil pan.



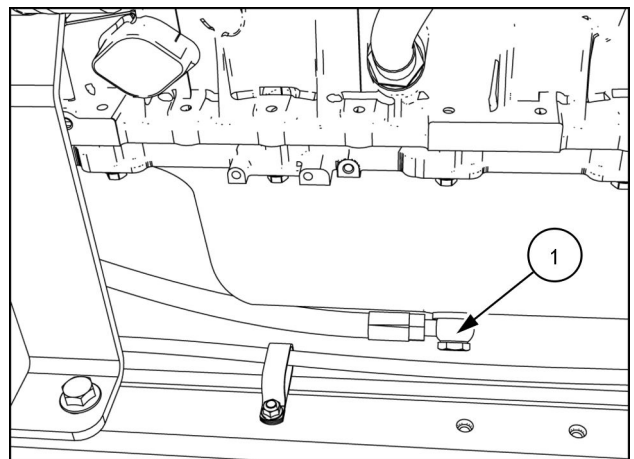
3. Remove the drain valve (1) from the bulkhead support bracket (2) by removing the lock nut (3).



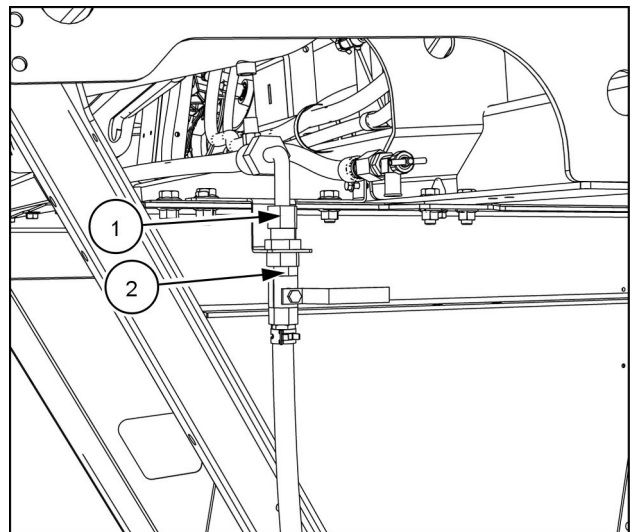
NHIL14AF00235AA 4

### 6150 and 7150

4. Remove the engine oil drain hose (1) from the oil pan and at the oil drain valve (2).



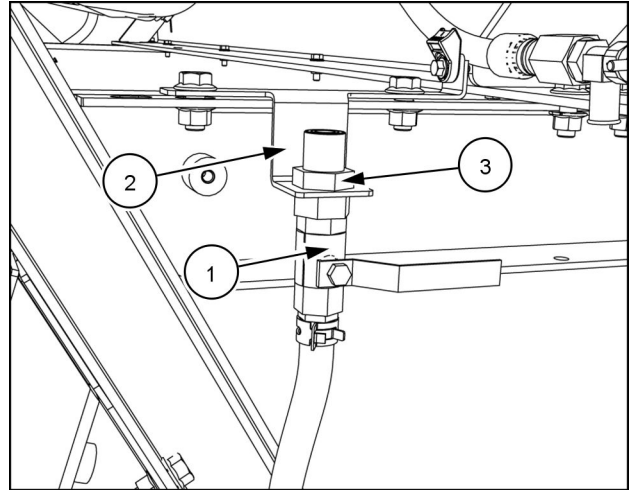
NHIL14AF00234AA 5



NHIL13AF0228AA 6

5. Remove the drain valve (1) from the bulkhead support bracket (2) by removing the lock nut (3).

**NOTE:** The drain valve is located behind the SAS (stationary air screen).



NHIL14AF00235AA 7



**Download the full PDF manual instantly.**

**Our customer service e-mail:**

**[aservicemanualpdf@yahoo.com](mailto:aservicemanualpdf@yahoo.com)**