

Patriot® 3240
Patriot® 3340
Tier 4B (final)
Sprayer

PIN YGT044001 and above

SERVICE MANUAL

Part number 48068911

1st edition English

October 2016

CASE II
AGRICULTURE

Link Product / Engine

Product	Market Product	Engine
Patriot® 3240 TIER 4B (FINAL) sprayer [YGT044001 -]	North America	F4HFE613F*B004
Patriot® 3340 TIER 4B (FINAL) sprayer [YGT044001 -]	North America	F4HFE613U*B002

Contents

INTRODUCTION

Engine	10
[10.001] Engine and crankcase	10.1
[10.202] Air cleaners and lines	10.2
[10.310] Aftercooler.....	10.3
[10.400] Engine cooling system	10.4
[10.500] Selective Catalytic Reduction (SCR) exhaust treatment.....	10.5
Power coupling	19
[19.121] Pump-drive assembly	19.1
Front axle system	25
[25.100] Powered front axle	25.1
[25.108] Final drive hub, steering knuckles, and shafts	25.2
[25.122] Axle suspension control.....	25.3
Rear axle system	27
[27.100] Powered rear axle.....	27.1
[27.124] Final drive hub, steering knuckles, and shafts	27.2
Hydrostatic drive	29
[29.218] Pump and motor components.....	29.1
Power Take-Off (PTO)	31
[31.220] Gearbox.....	31.1
Brakes and controls	33
[33.110] Parking brake or parking lock	33.1
[33.202] Hydraulic service brakes	33.2
Hydraulic systems	35
[35.000] Hydraulic systems.....	35.1
[35.104] Fixed displacement pump.....	35.2

[35.106] Variable displacement pump	35.3
[35.300] Reservoir, cooler, and filters.....	35.4
[35.703] Stabilizer hydraulic system.....	35.5
[35.735] Track frame widening system	35.6
[35.911] Sprayer boom hydraulic system.....	35.7
Frames and ballasting	39
[39.130] Sprayer boom	39.1
Steering.....	41
[41.101] Steering control	41.1
[41.206] Pump	41.2
[41.216] Cylinders	41.3
Wheels	44
[44.511] Front wheels.....	44.1
[44.520] Rear wheels.....	44.2
Cab climate control	50
[50.100] Heating.....	50.1
[50.200] Air conditioning.....	50.2
[50.300] Cab pressurizing system.....	50.3
Electrical systems	55
[55.000] Electrical system	55.1
[55.019] Hydrostatic drive control system	55.2
[55.050] Heating, Ventilation, and Air-Conditioning (HVAC) control system.....	55.3
[55.100] Harnesses and connectors.....	55.4
[55.201] Engine starting system.....	55.5
[55.301] Alternator.....	55.6
[55.302] Battery.....	55.7
[55.512] Cab controls.....	55.8
[55.515] Wing/Boom control system.....	55.9

[55.988] Selective Catalytic Reduction (SCR) electrical system	55.10
[55.DTC] FAULT CODES.....	55.11
Chemical applicators	63
[63.100] Liquid fertilizer system	63.1
Spraying	78
[78.110] Chemical spraying.....	78.1
[78.120] Foam marking system.....	78.2
Platform, cab, bodywork, and decals	90
[90.105] Machine shields and guards	90.1
[90.150] Cab.....	90.2



INTRODUCTION

Safety rules

Patriot® 3240	NA
Patriot® 3340	NA


Personal safety





This is the safety alert symbol. It is used to alert you to potential personal injury hazards. Obey all safety messages that follow this symbol to avoid possible death or injury.

Throughout this manual you will find the signal words DANGER, WARNING, and CAUTION followed by special instructions. These precautions are intended for the personal safety of you and those working with you.

Read and understand all the safety messages in this manual before you operate or service the machine.

 DANGER indicates a hazardous situation that, if not avoided, will result in death or serious injury.

 WARNING indicates a hazardous situation that, if not avoided, could result in death or serious injury.

 CAUTION indicates a hazardous situation that, if not avoided, could result in minor or moderate injury.

FAILURE TO FOLLOW DANGER, WARNING, AND CAUTION MESSAGES COULD RESULT IN DEATH OR SERIOUS INJURY.

Machine safety

NOTICE: Notice indicates a situation that, if not avoided, could result in machine or property damage.

Throughout this manual you will find the signal word Notice followed by special instructions to prevent machine or property damage. The word Notice is used to address practices not related to personal safety.

Information

NOTE: Note indicates additional information that clarifies steps, procedures, or other information in this manual.

Throughout this manual you will find the word Note followed by additional information about a step, procedure, or other information in the manual. The word Note is not intended to address personal safety or property damage.

Safety rules

Patriot® 3240	NA
Patriot® 3340	NA

General safety rules

Use caution when operating the machine on slopes. Raised equipment, full tanks and other loads will change the center of gravity of the machine. The machine can tip or roll over when near ditches and embankments or uneven surfaces.

Never permit anyone other than the operator to ride on the machine.

Never operate the machine under the influence of alcohol, drugs, or while otherwise impaired.

When digging or using ground engaging attachments be aware of buried cables. Contact local utilities to determine the locations of services.

Pay attention to overhead power lines and hanging obstacles. High voltage lines may require significant clearance for safety.

Hydraulic oil or diesel fuel leaking under pressure can penetrate the skin, causing serious injury or infection.

- DO NOT use your hand to check for leaks. Use a piece of cardboard or paper.
- Stop engine, remove key and relieve the pressure before connecting or disconnecting fluid lines.
- Make sure all components are in good condition and tighten all connections before starting the engine or pressurizing the system.
- If hydraulic fluid or diesel fuel penetrates the skin, seek medical attention immediately.
- Continuous long term contact with hydraulic fluid may cause skin cancer. Avoid long term contact and wash the skin promptly with soap and water.

Keep clear of moving parts. Loose clothing, jewelry, watches, long hair, and other loose or hanging items can become entangled in moving parts.

Wear protective equipment when appropriate.

DO NOT attempt to remove material from any part of the machine while it is being operated or components are in motion.

Make sure all guards and shields are in good condition and properly installed before operating the machine. Never operate the machine with shields removed. Always close access doors or panels before operating the machine.

Dirty or slippery steps, ladders, walkways, and platforms can cause falls. Make sure these surfaces remain clean and clear of debris.

A person or pet within the operating area of a machine can be struck or crushed by the machine or its equipment. DO NOT allow anyone to enter the work area.

Raised equipment and/or loads can fall unexpectedly and crush persons underneath. Never allow anyone to enter the area underneath raised equipment during operation.

Never operate engine in enclosed spaces as harmful exhaust gases may build up.

Before starting the machine, be sure that all controls are in neutral or park lock position.

Start the engine only from the operator's seat. If the safety start switch is bypassed, the engine can start with the transmission in gear. Do not connect or short across terminals on the starter solenoid. Attach jumper cables as described in the manual. Starting in gear may cause death or serious injury.

Always keep windows, mirrors, all lighting, and Slow Moving Vehicle (SMV) emblem clean to provide the best possible visibility while operating the machine.



SERVICE MANUAL

Engine

Patriot® 3240 TIER 4B (FINAL) sprayer [YGT044001 -]
Patriot® 3340 TIER 4B (FINAL) sprayer [YGT044001 -]

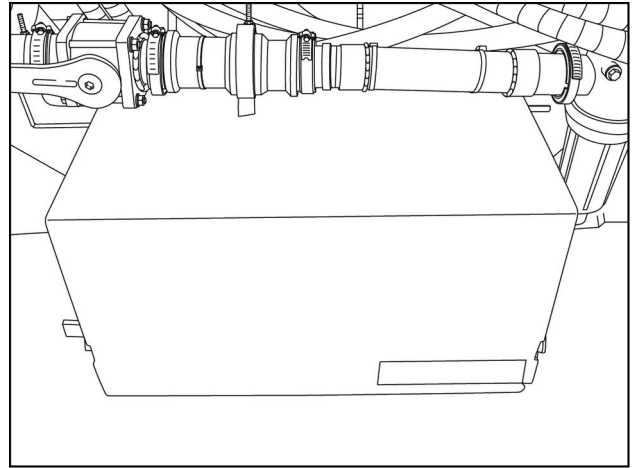
Engine - Remove

Patriot® 3240	NA
Patriot® 3340	NA

Prior operation:

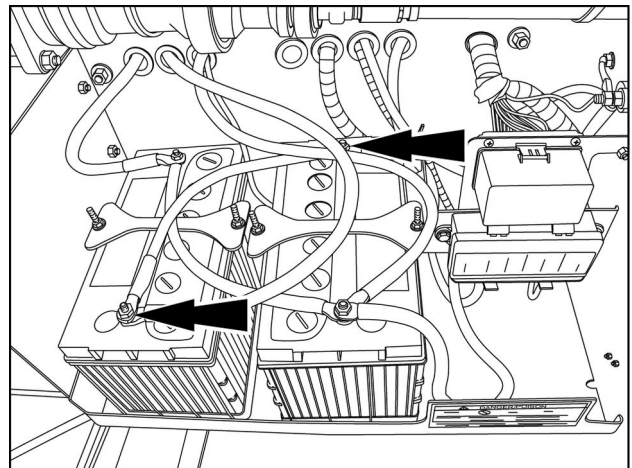
Gearbox - Remove - Pump drive (31.220)

1. Remove the battery cover.



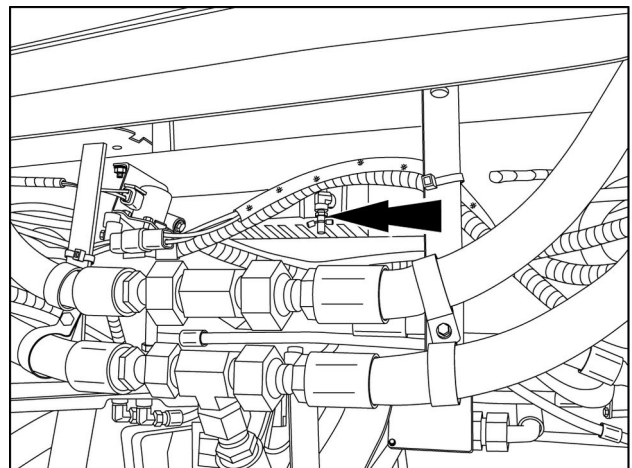
RAIL13SP04995AA 1

2. Disconnect the negative cables from the batteries.



RAIL13SP04996AA 2

3. Attach an extension hose on the drain fitting for the radiator and drain the engine coolant into a proper size clean container.



RAIL13SP04851AA 3



Download the full PDF manual instantly.

Our customer service e-mail:

aservicemanualpdf@yahoo.com