

Page Title	Page Number
ENGINE - (SEE PAGE II, IV AND V FOR CUMMINS ENGINE INFORMATION)	2
AIR INTAKE AND ETHER INJECTION - (4800/4840)	5
AIR INTAKE AND ETHER INJECTION - (4880/4900)	6
EXHAUST SYSTEM	9
COOLING SYSTEM	10
FUEL TANK AND LINES	13
THROTTLE CONTROLS	14
ELECTRICAL WIRING	17
BATTERY AND CABLES	18
STARTER AND SOLENOID	21
STARTER AND SOLENOID	22
ALTERNATOR	24
LIGHTING - USED TRACTOR SERIAL NUMBER 9D004281 AND UP.	26
LIGHTING - USED PRIOR TO TRACTOR SERIAL NUMBER 9D004281	29
INSTRUMENT PANEL - 4800, 4840, 4880, 4900	30
CLUTCH AND TRANSMISSION MOUNTS - 4800, 4840, 4880, 4900	33
CLUTCH CONTROL	34
SINGLE CLUTCH - LESS P.T.O.	37
DUAL CLUTCH - WITH P.T.O.	38
DUAL CLUTCH - WITH P.T.O.	41
SINGLE AND DUAL CLUTCH - 4800, 4840, 4880, 4900	42
TRANSMISSION CONTROLS - 4800, 4840, 4880, 4900	45
TRANSMISSION HOUSING, SIDE COVER, RAILS AND FORKS - MULTI-POWER	46
TRANSMISSION - MULTI-POWER	49
TRANSMISSION - MULTI-POWER	50
TRANSMISSION - MULTI-POWER	53
TRANSMISSION - MULTI-POWER	54
P.T.O. BRAKE - MULTI-POWER	57
CLUTCH AND TRANSMISSION LINES - 4800, 4840, 4880, 4900	58
MULTI-POWER AND P.T.O. VALVE - SEE DEALER SERVICE BULLETIN TRACTORS 82-22 (4-9-82 )	61
MULTI-POWER AND P.T.O. CONTROLS - 4800, 4840, 4880, 4900	62
TRANSMISSION PUMP AND COOLER LINES - 4800, 4840, 4880, 4900	65
HYDRAULIC PUMP - TRANSMISSION	66
HYDRAULIC PUMPS - STEERING AND LIFT	69
HYDRAULIC OIL FILTERS - 4800, 4840, 4880, 4900	70
STEERING WHEEL AND COLUMN - TILT AND TELESCOPING	73
STEERING WHEEL AND COLUMN - TILT	74
STEERING AND OIL COOLER - VALVE, PUMP, TANK AND CYLINDERS	77
ORBITAL STEERING PUMP	81
STEERING CYLINDER - 4800, 4840, 4880, 4900	82
FRONT DRIVE SHAFTS - 4800, 4840, 4880, 4900	85
P.T.O. AND REAR AXLE DRIVE - 4800, 4840, 4880, 4900	86
P.T.O. AND REAR DRIVE SHAFTS - 4800, 4840, 4880, 4900	89
P.T.O. DROP BOX - 4800, 4840, 4880, 4900	90
FRONT CENTER HOUSING	93
REAR CENTER HOUSING AND P.T.O. DRIVE - 4800, 4840, 4880, 4900	94
DIFFERENTIAL - FRONT	97
DIFFERENTIAL - FRONT	98
DIFFERENTIAL - FRONT	101
DIFFERENTIAL - REAR	102
FRONT AND REAR AXLE - 4800, 4840, 4880, 4900	105
DUAL WHEELS - MANUAL	106

## TABLE OF CONTENT

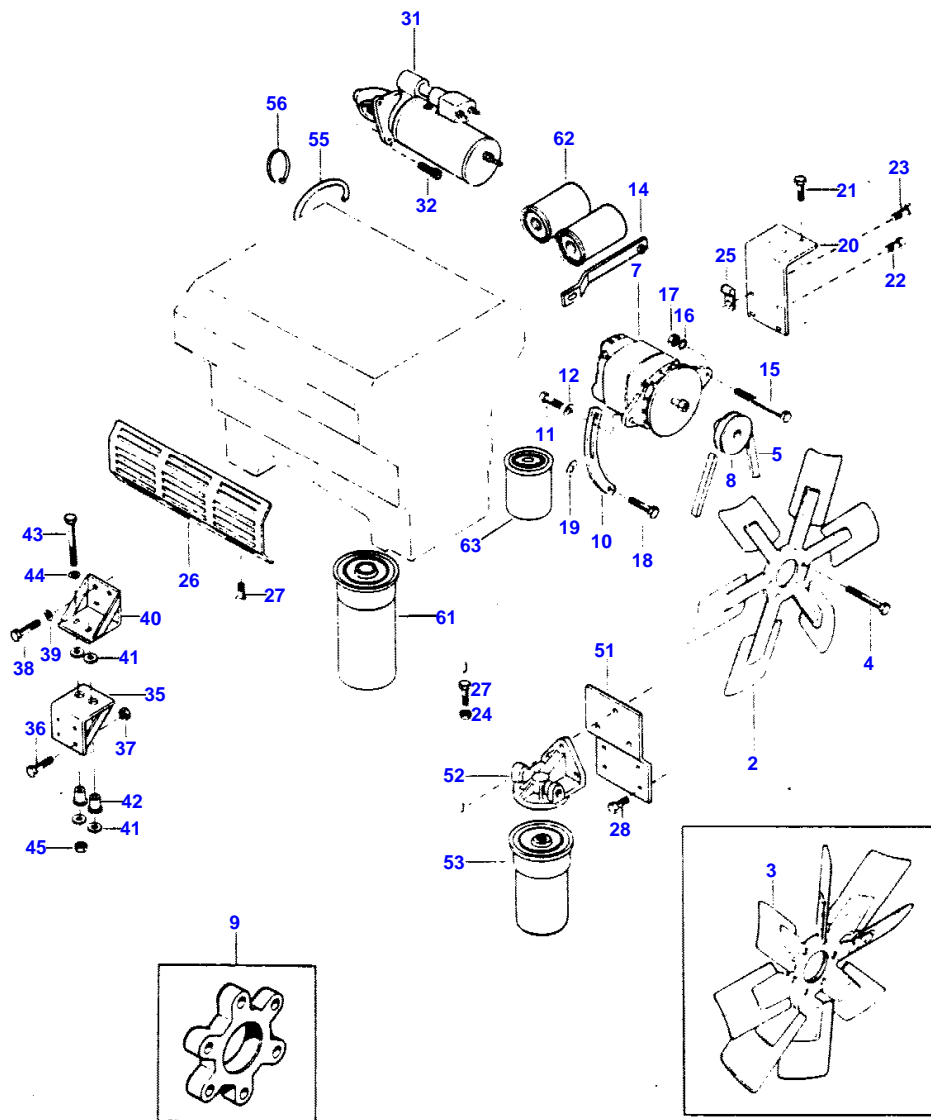
00

MAIN BRAKE CONTROLS - 4800, 4840, 4880, 4900	109
BRAKE CYLINDER - 4800, 4840, 4880, 4900	110
HAND BRAKE CONTROLS - 4800, 4840, 4880, 4900	113
MAIN AND HAND BRAKE - 4800, 4840, 4880, 4900	114
FRONT AND REAR FRAME - 4800, 4840, 4880, 4900	117
FRONT AND REAR HOOD AND GRILLE - 4800, 4840, 4880, 4900	118
SEAT AND SUSPENSION - USED TRACTOR SERIAL NUMBER 9D004281 AND UP.	121
SEAT AND SUSPENSION - USED TRACTOR SERIAL NUMBER 9D001472 TO 9D004281	122
SEAT SUSPENSION - USED TRACTOR SERIAL NUMBER 9D004281 AND UP.	125
SEAT SUSPENSION - USED TRACTOR SERIAL NUMBER 9D001472 TO 9D004281	126
SEAT AND SUSPENSION - USED PRIOR TO TRACTOR SERIAL NUMBER 9D001472	129
AUXILIARY HYDRAULIC CONTROLS - 4800, 4840, 4880, 4900	133
AUXILIARY HYDRAULICS - 4800, 4840, 4880, 4900	134
AUXILIARY HYDRAULICS - 4800, 4840, 4880, 4900	137
HYDRAULIC LIFT CONTROLS - 4800, 4840, 4880, 4900	138
REAR LIFT COVER - 4800, 4840, 4880, 4900	141
HYDRAULIC LIFT SYSTEM - WITH 3 POINT LINKAGE - WITH P.T.O.	142
HYDRAULIC LIFT SYSTEM - WITHOUT 3 POINT LINKAGE - WITH P.T.O.	145
REAR LIFT LINKAGE - 4800, 4840, 4880, 4900	146
RAPID COUPLER - WITH FIXED LOWER LINKS	150
HYDRAULIC LIFT CYLINDER	153
DRAWBAR - SWING TYPE	154
AUXILIARY HYDRAULIC VALVE - 4800, 4840, 4880, 4900	157
AUXILIARY HYDRAULIC VALVE - 4800, 4840, 4880, 4900	158
DRAFT CONTROL VALVE - 4800, 4840, 4880, 4900	161
CAB, MOUNTING BRACKETS, STEPS AND MIRRORS - 4800, 4840, 4880, 4900	162
CAB GLASS AND FLOOR MATS - 4800, 4840, 4880, 4900	165
CAB DOOR - USED TRACTOR SERIAL NUMBER 9D004281 AND UP.	166
PLENUM CHAMBER AND BLOWER - 4800, 4840, 4880, 4900	169
HEATER - 4800, 4840, 4880, 4900	170
AIR CONDITIONING - 4800, 4840, 4880, 4900	173
COMPRESSOR	177
WINDSHIELD WIPER AND WASHER - 4800, 4840, 4880, 4900	178
LABELS	181
PAINT, SEALANT, TRANSMISSION OIL - 4800, 4840, 4880, 4900	182

2

ENGINE

2427 001-6



1st Print

651 421 M94 (Issue 1) 8/84

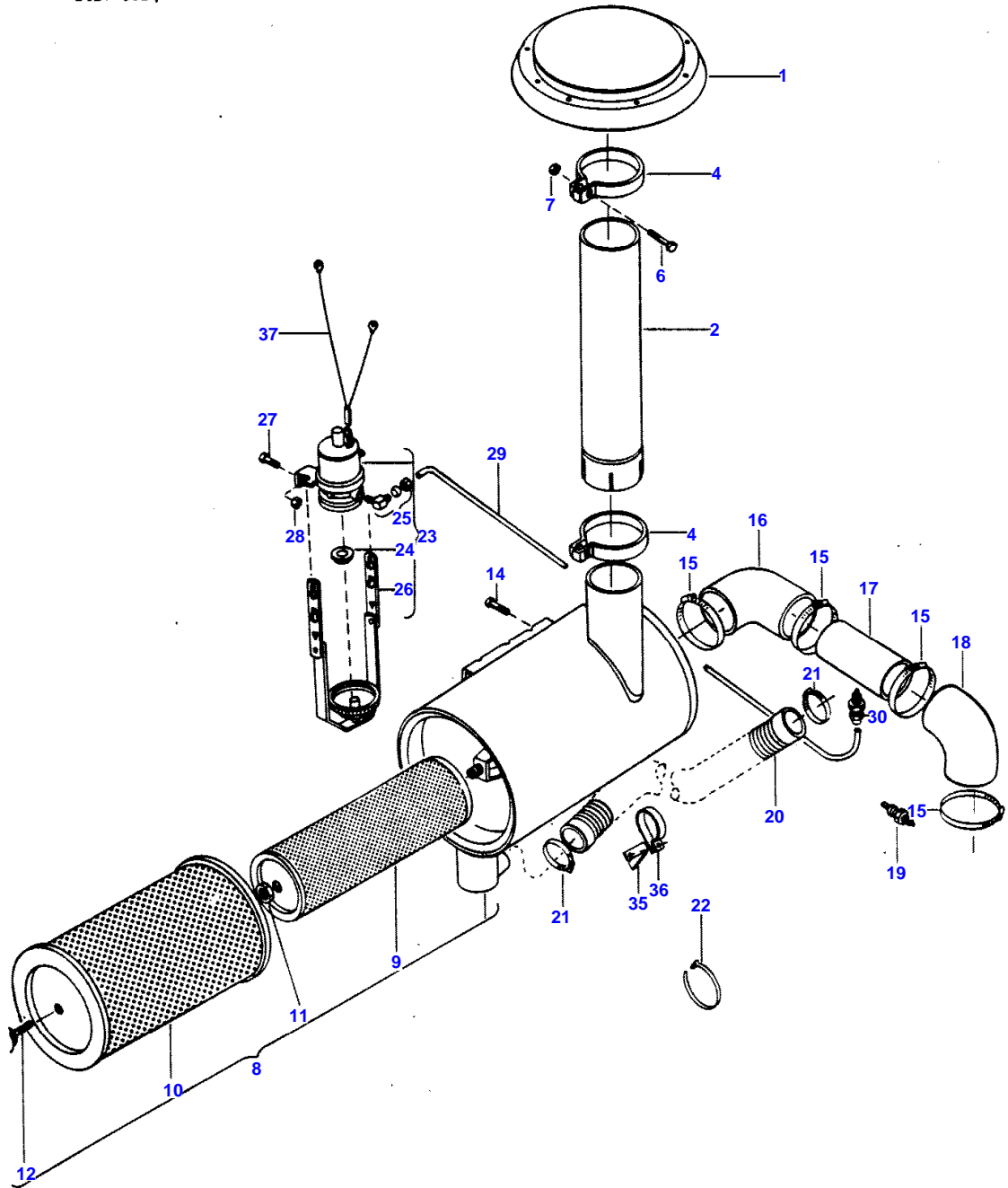
Item	Part Number	Qty	Description	Comments
				(SEE PAGE II, IV AND V FOR CUMMINS ENGINE INFORMATION)
	595852M92	1	Engine	(J)
	539034M93	1	Engine	(K)
	537800M93	1	Engine	(L)
	595853M91	1	Engine	(M)
2	595951M91	1	Fan	(J)
	578827M91	1	Fan	(K, L)
3	771323M91	1	Fan	(M)
4	354657X1	6	Bolt Unc	(J, K, L)
	354661X1	6	Bolt Unc	(M)
5	517344M2	1	Belt	1/2 X 54" (A, J, K, L, M)
5	513833M1	1	Belt	(B, J, K, L, M)
	517456M1	1	Belt	(C, J, K, L, M)
7	771932M91	1	Alternator	See Page - Reference Number 24 (A, J, K, L, M)
7	586059M92	1	Alternator	See Page - Reference Number 24 (D, J, K, L, M)
8	774014M1	1	Pulley	(A, J, K, L, M)
	771591M1	1	Pulley	(B, J, K, L, M)
	539129M2	1	Pulley	(C, J, K, L, M)
9	771841M1	1	Spacer	(M)
10	771987M1	1	Strap	(A, J, K, L, M)
	535368M1	1	Strap	(D, J, K, L, M)
11	353723X1	1	Screw Unc	(J, K, L, M)
12	353773X1	1	Washer	1/2" FLAT (J, K, L, M)
14	771797M91	1	Strap	(H, J, K, L, M)
15	369455X1	1	Bolt Unc	(H, J, K, L, M)
	357039X1	1	Bolt Unc	(I, J, K, L, M)
16	353773X1	2	Washer	1/2" FLAT (J, K, L, M)
17	369066X1	1	Nut	(J, K, L, M)
18	353723X1	1	Screw Unc	(J, K, L, M)
19	353773X1	1	Washer	1/2" FLAT (J, K, L, M)
20	578895M1	1	Bracket	(J, K, L, M)
21	353690X1	X	Screw Unc	(J, K, L, M)
22	365018X1	3	Self Tap Screws	(J, K, L, M)
23	365050X1	1	Bolt Unc	(J, K, L, M)
24	355566X1	4	Nut Unc	(J, K, L, M)
25	360056X1	1	Clip	(J, K, L, M)
26	586898M92	2	Shield	(J, K, L, M)
27	353691X1	9	Screw Unc	(J, K, L, M)
28	353677X1	4	Screw Unc	(J, K, L, M)
31		1	Kit	(J, K, L, M) See Page - Reference Number 21
32	370948X1	3	Bolt	(J, K, L, M)
35	539424M91	2	Kit, Mounting	(J, K, L, M)
	536193M1	2	Bush	1-1/2 X 2-3/4" (J, K, L, M)
36	353724X1	8	Screw Unc	(J, K, L, M)
37	375098X1	8	Nut Unc	(J, K, L, M)
38	353901X1	8	Screw Unc	(J, K, L, M)
39	353760X1	8	Flat Washers	21/32 X 1-5/16"
40	539427M92	2	Support	(J, K, L, M)
41	370097X1	8	Washer	41/64 X 2-3/4 X 1/4"
42	538885M1	4	Mounting	Not serviced, order 1612171M1
43	354292X1	4	Bolt Unc	(J, K, L, M)
44	353760X1	4	Flat Washers	21/32 X 1-5/16 X 7-16" (J, K, L, M)
45	375099X1	4	Nut Unc	(J, K, L, M)
51	771088M1	1	Bracket	(E, J, K, L, M)
52	771307M1	1	Head	(E, J, K, L, M)
53	771308M1	1	Oil Filter	(E, J, K, L, M)
		1	Filter	NOT ILLUSTRATED (F, J, K, L, M)
55	771337M1	1	Hose	Not serviced, order 268115M1

Item	Part Number	Qty	Description	Comments
56	515103M1	X	Clamp	(G, L, M) (L, M)
61	1055914M1	1	Oil Filter	(J, K, L, M)
62	1055915M1	2	Fuel Element	3-7/8 X 7-1/2" (J, K, L, M)
63	1055916M1	1	Filter	3-7/8 X 5-5/8" (J, K, L, M) (A) USED TRACTOR SERIAL NUMBER 9D004281 AND UP. (B) USED TRACTOR SERIAL NUMBER 9D003702 TO 9D004281. (C) USED PRIOR TO TRACTOR SERIAL NUMBER 9D 003702 (D) USED PRIOR TO TRACTOR SERIAL NUMBER 9D004281 (E) USED THE FOLLOWING TRACTOR SERIAL NUMBERS AND UP (MF 4800, 9D002004) (MF 4840, 9D002011) (MF 4880, 9D002011) (MF 4900, 9D002429) (F) USED PRIOR TO THE ABOVE SERIAL NUMBERS FOR REPAIRS ORDER (1) 731088M1 BRACKET, (1) 771307M1 HEAD, (1) 771308M1 ELEMENT, (3) 353879X1 BOLTS, (3) 355565X1 NUTS AND (2) 352635X1 90 DEG. ELBOWS (G) Repairs and replaces 266115M1 (H) USED TRACTOR SERIAL NUMBER 9D003454 AND UP. (I) USED PRIOR TO TRACTOR SERIAL NUMBER 9D003454 (J) 4800 (K) 4840 (L) 4880 (M) 4900

AIR INTAKE AND ETHER INJECTION

5

2427 002-1



1st Print

651 421 M94 [Issue 1] 8/84

AIR INTAKE AND ETHER INJECTION - (4800/4840)

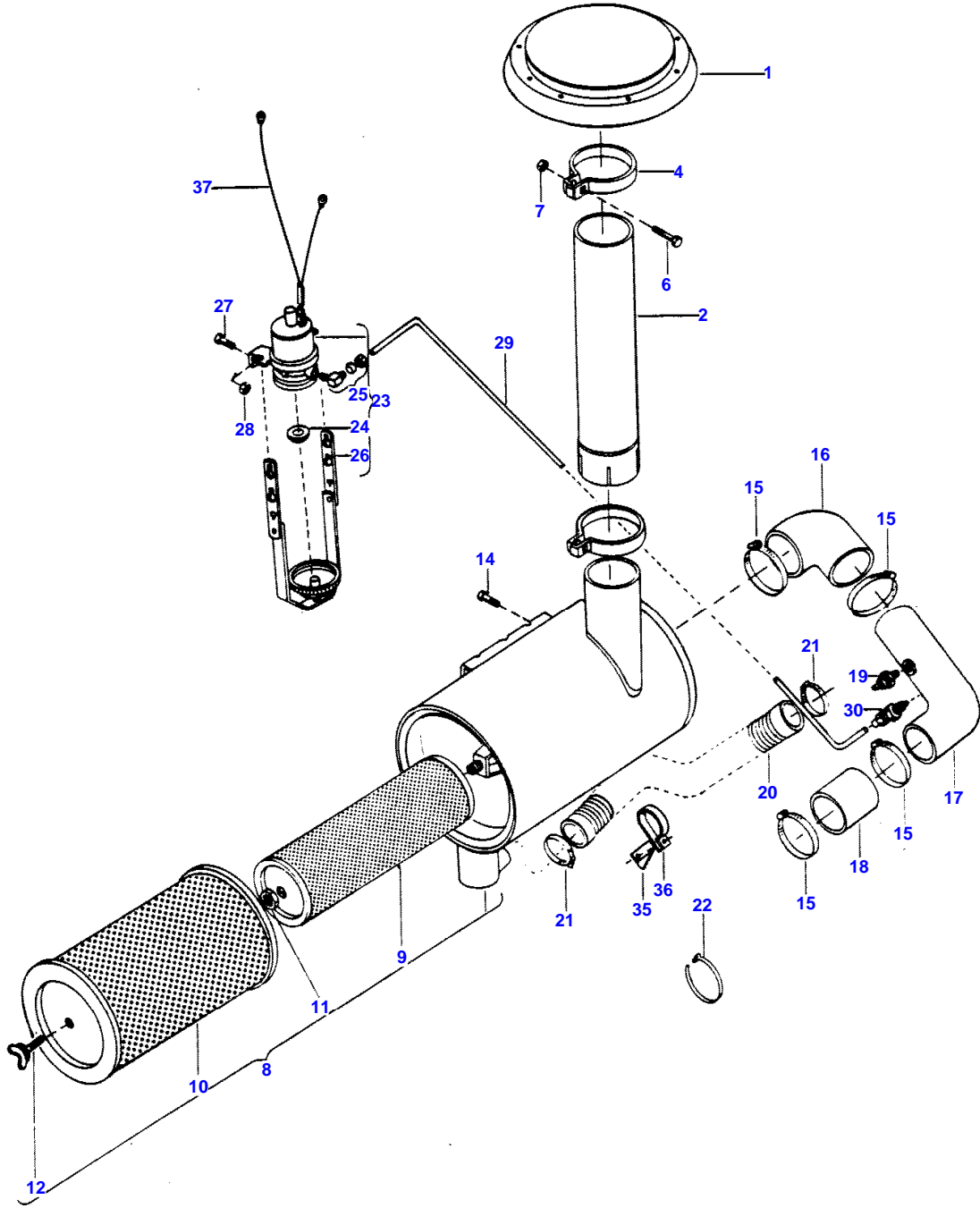
Item	Part Number	Qty	Description	Comments
1	589685M1	1	Cap	(C, D)
2	589913M1	1	Tube	(C, D)
4	595892X1	2	Clamp	(C, D)
6	363906X1	2	Bolt Unc	(C, D)
7	355566X1	2	Nut Unc	(C, D)
8	586987M92	1	Cleaner	14" (C, D)
9	1051375M91	1	Air Fitr.Element	(C, D)
10	1051376M91	1	Air Fitr.Element	(C, D)
11	365840X1	1	Nut	(C, D)
12	1051074M1	1	Bolt	(C, D)
14	365017X1	4	Self Tap Screws	(C, D)
15	586038M1	4	Clamp	(C, D)
16	538704M2	1	Hose	(C, D)
17	538702M91	1	Tube Assy	(C, D)
18	538703M2	1	Hose	(C, D)
19	586330M1	1	Switch	(C, D)
20	586186M3	1	Hose	(C, D)
21	832713M1	2	Clamp	(C, D)
22	515103M1	3	Clamp	(C, D)
23	518969M93	1	Solenoid	(C, D)
24	1036425M1	1	Gasket	(C, D)
25	1754771M1	1	Elbow	(C, D)
26	1052496M91	1	Bail	(C, D)
27	353679X1	2	Screw Unc	(C, D)
28	355565X1	2	Nut Unc	(C, D)
29	595904M1	1	Tube	(A, C, D)
	588618M1	1	Tube	(B, C, D)
30	520624M91	1	Nozzle	(C, D)
35	595868M1	1	Bracket	(C, D)
36	367308X1	1	Clamp	(C, D)
37	595659M92	1	Wire	(C, D)

(A)  
 USED TRACTOR SERIAL NUMBER 9D001339 AND UP.  
 (B)  
 USE PRIOR TO TRACTOR SERIAL NUMBER 9D001339  
 (C)  
 4800  
 (D)  
 4840

6

AIR INTAKE AND ETHER INJECTION

2427 003-1



1st Print

651 421 M94 (Issue 1) 8/84



AIR INTAKE AND ETHER INJECTION - (4880/4900)

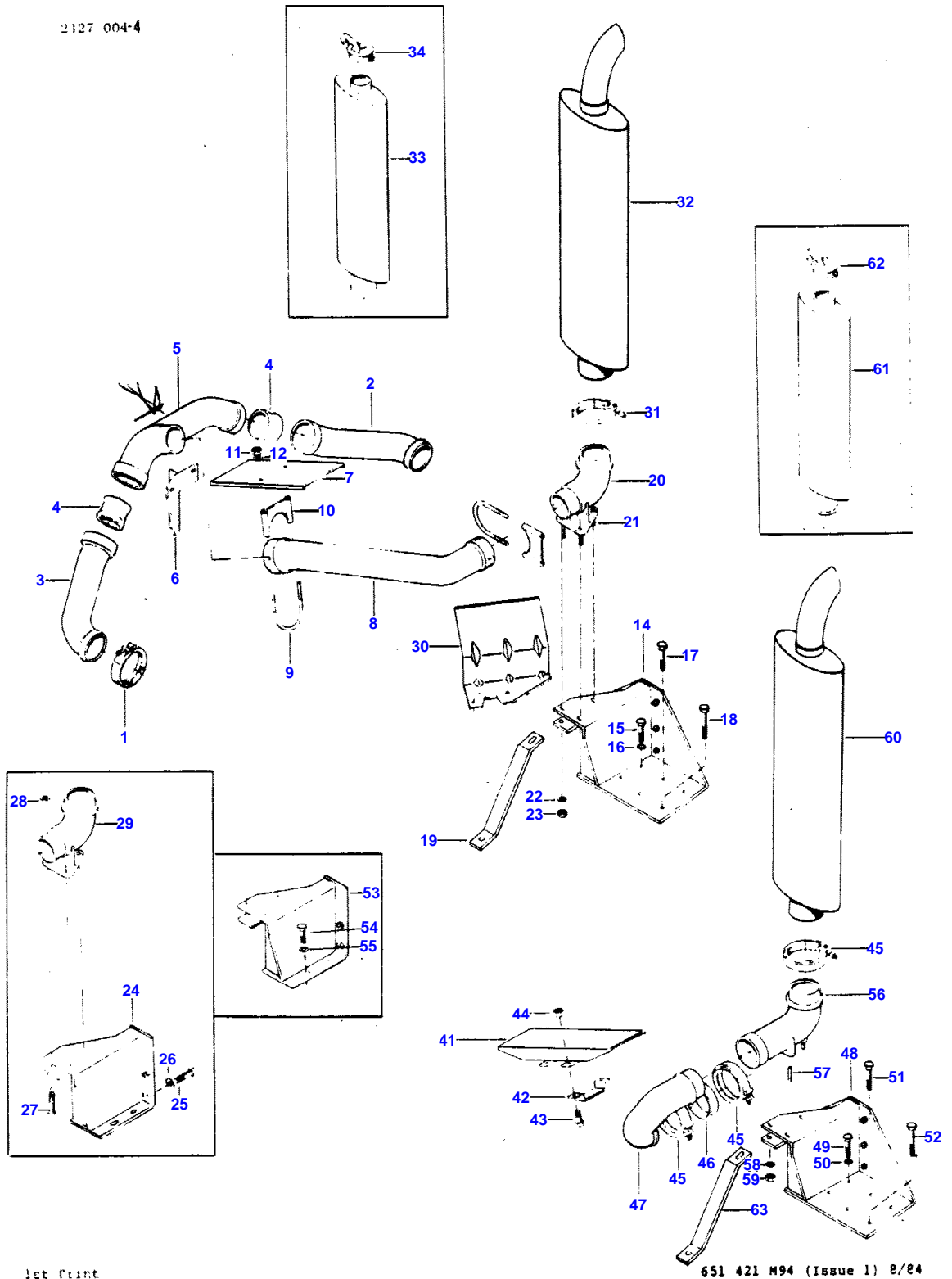
Item	Part Number	Qty	Description	Comments
1	589685M1	1	Cap	(C, D)
2	589913M1	1	Tube	(C, D)
4	595832M1	2	Clamp	(C, D)
6	363906X1	2	Bolt Unc	(C, D)
7	355566X1	2	Nut Unc	(C, D)
8	586988M92	1	Cleaner	16" (C, D)
9	1051373M91	1	Element	(C, D)
10	1051374M91	1	Element	(C, D)
11	365840X1	1	Nut	(C, D)
12	1051074M1	1	Bolt	(C, D)
14	365017X1	4	Self Tap Screws	(C, D)
15	586038M1	4	Clamp	(C, D)
16	536062M1	1	Hose	(C, D)
17	536059M92	1	Tube	(C, D)
18	536061M1	1	Hose	(C, D)
19	586330M1	1	Switch	(C, D)
20	586186M3	1	Hose	(C, D)
21	832713M1	2	Clamp	(C, D)
22	515103M1	3	Clamp	(C, D)
23	518969M93	1	Solenoid	(C, D)
24	1036425M1	1	Gasket	(C, D)
25	1754771M1	1	Elbow	(C, D)
26	1052496M91	1	Bail	(C, D)
27	353679X1	2	Screw Unc	(C, D)
28	355565X1	2	Nut Unc	(C, D)
29	595904M1	1	Tube	(A, C, D)
	588618M1	1	Tube	(B, C)
30	520624M91	1	Nozzle	(C, D)
35	595868M1	1	Bracket	(C, D)
36	367306X1	1	Fitting	(C, D)
37	595659M92	1	Wire	(C, D)

(A)  
 USED TRACTOR SERIAL NUMBER 9D001339 AND UP.  
 (B)  
 USE PRIOR TO TRACTOR SERIAL NUMBER 9D001339  
 (C)  
 4880  
 (D)  
 4900

EXHAUST SYSTEM

9

2127 004-4



1st Print

651 421 M94 (Issue 1) 8/84

EXHAUST SYSTEM

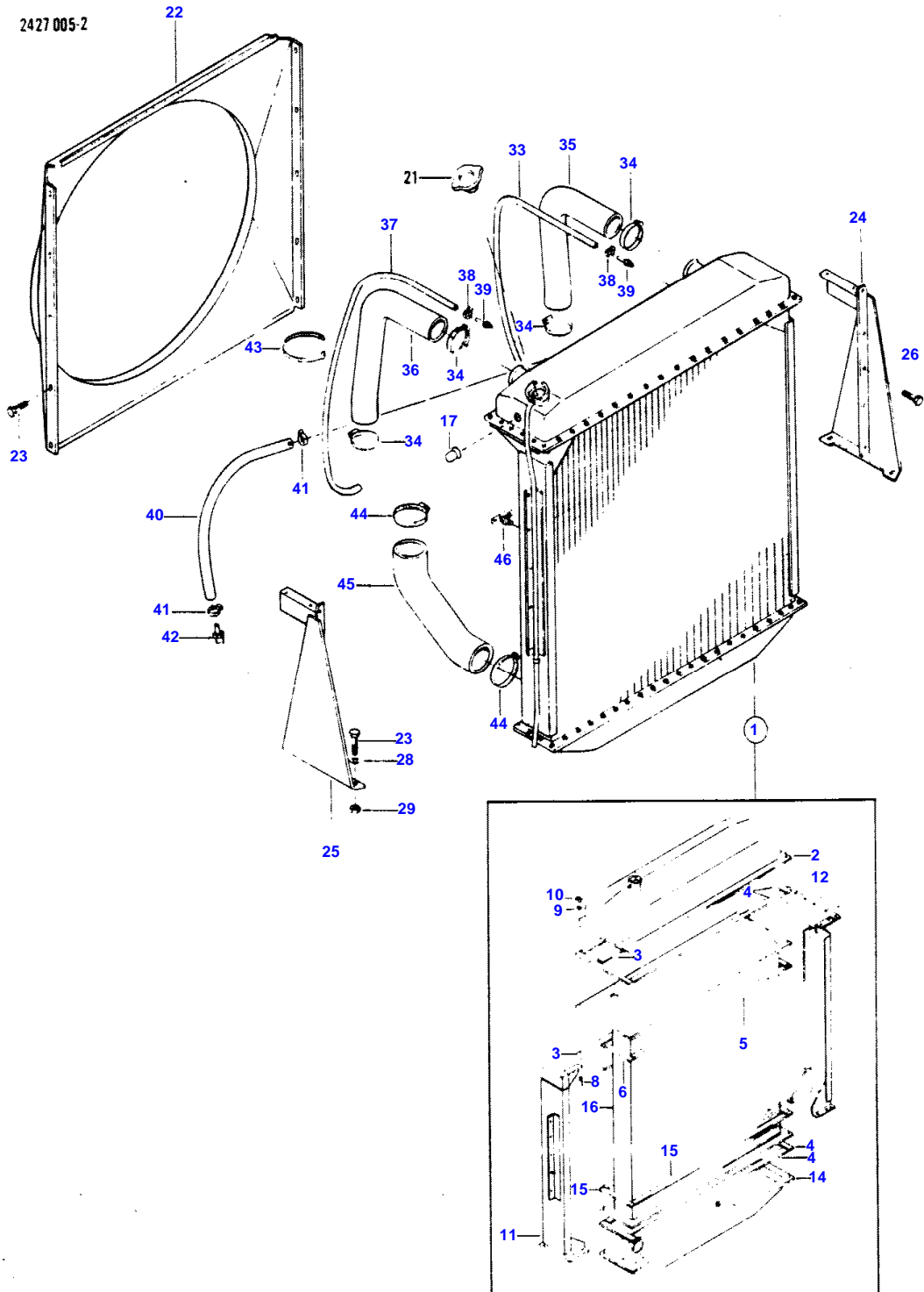
Item	Part Number	Qty	Description	Comments
1	586457M1	2	Coupler	(E, F)
2	586454M2	1	Connection	Left Hand (E, F)
3	586455M2	1	Connection	Right Hand (E, F)
4	586085M1	2	Tube	(E, F)
5	586039M2	1	Collector	(E, F)
6	586074M91	1	Bracket Assy.	(E, F)
7	586087M3	1	Shield	(E, F)
8	586456M2	1	Pipe	(E, F)
9	371777X1	2	Bolt	(E, F)
10	1903866M91	2	Clamp	(E, F)
11	355566X1	4	Nut Unc	(E, F)
12	353756X1	4	Washer	13/32 X 13/16 X 1/16" (E, F)
14	771695M91	1	Support	(A, E, F)
15	353691X1	3	Screw Unc	(A, E, F)
16	353771X1	3	Washer	13/32 X 13/16 X 3/32" (A, E, F)
17	353693X1	3	Screw Unc	(A, E, F)
18	353897X1	1	Bolt Unc	(A, E, F)
19	771808M2	1	Strap	(A, E, F)
20	771701M91	1	Elbow	(A, E, F)
21	771977M1	3	Stud	1/2" NC X 2-1/2" (E, F)
22	353773X1	3	Washer	1/2" (A, E, F)
23	369066X1	3	Nut	1/2" (A, E, F)
24	578878M94	1	Support	(B, E, F)
25	353691X1	7	Screw Unc	(B, E, F)
26	353756X1	7	Washer	13/32 X 13/16 X 1/16" (B, E, F)
27	354262X1	3	Bolt Unc	(B, E, F)
28	369064X1	3	Nut Unc	(B, E, F)
29	586088M2	1	Elbow	(B, E, F)
30	586089M2	1	Shield	(E, F)
31	535513M1	1	Coupler	(E, F)
32	771980M1	1	Muffler	(C, E, F)
33	595141M91	1	Muffler	(D, E, F)
34	586975M91	1	Cap	(D, E, F)
41	588720M92	1	Shield	(G, H)
42	588723M1	2	Bracket	(G, H)
43	353679X1	4	Screw Unc	(G, H)
44	355565X1	4	Nut Unc	(G, H)
45	535513M1	3	Coupler	(G, H)
46	589822M1	1	Flange	(G, H)
47	588716M2	1	Elbow	(G, H)
48	771695M91	1	Support	(A, G, H)
49	353691X1	3	Screw Unc	(A, G, H)
50	353771X1	3	Washer	13/32 X 13/16 X 3/32" (A, G, H)
51	353693X1	3	Screw Unc	(A, G, H)
52	353897X1	1	Bolt Unc	(A, G, H)
53	578878M94	3	Support	(B, G, H)
54	353691X1	3	Screw Unc	(B, G, H)
55	353756X1	3	Washer	13/32 X 13/16 X 1/16" (B, G, H)
56	771698M91	1	Elbow	(A, G, H)
57	771977M1	3	Stud	1/2" NC X 2-1/2" (A, G, H)
58	353773X1	3	Washer	1/2" (A, G, H)
59	369066X1	3	Nut	(A, G, H)
56	595545M91	1	Elbow	(B, G, H)

EXHAUST SYSTEM

Item	Part Number	Qty	Description	Comments
57	842578M1	3	Stud	3/8 X 1-3/8" (B, G, H)
58	353756X1	3	Washer	13/32 X 13/16 X 1/16" (B, G, H)
59	369064X1	3	Nut Unc	(B, G, H)
60	771980M1	1	Muffler	(C, G, H)
61	595141M91	1	Muffler	(D, G, H)
62	586975M91	1	Cap	(D, G, H)
63	771808M2	1	Strap	(A, G, H) (A) USED TRACTOR SERIAL NUMBER 9D004001 AND UP (B) USED PRIOR TO TRACTOR SERIAL NUMBER 9D004001 (C) USE TRACTOR SERIAL NUMBER 9D004281 AND UP (D) USE PRIOR TO TRACTOR SERIAL NUMBER 9D004281 (E) 4800 (F) 4840 (G) 4880 (H) 4900

10

COOLING SYSTEM

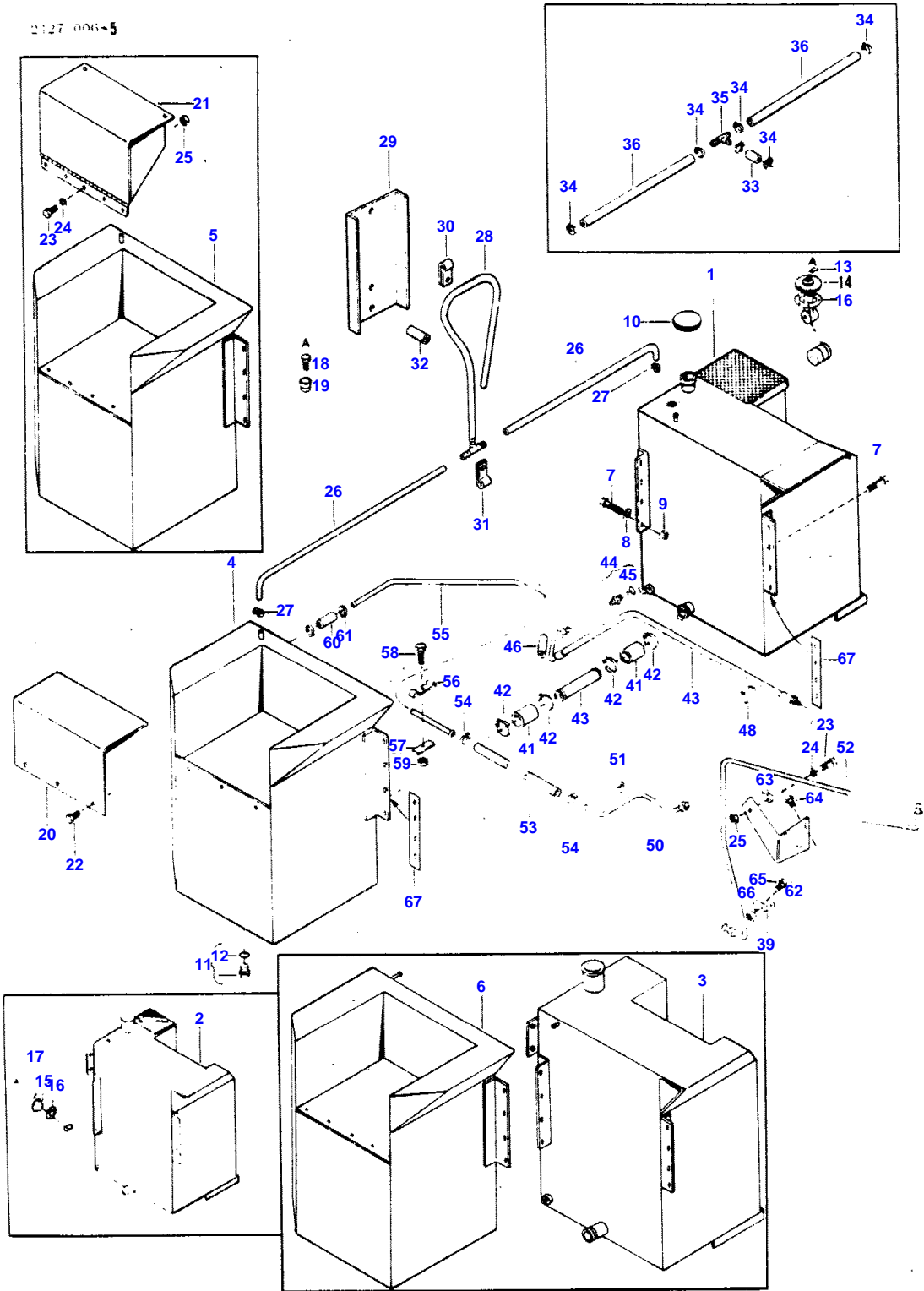


651 421 M94 (Issue 1 8/84

COOLING SYSTEM

Item	Part Number	Qty	Description	Comments
1	771222M91	1	Radiator	(A)
	538771M91	1	Radiator	(B)
	535330M91	1	Radiator	(C)
	578985M91	1	Radiator	(D)
2	1052317M91	1	Tank	(A, B, C, D)
3	1052318M1	1	Gasket	(A, B, C, D)
4	1057892M1	4	Gasket	(A, B, C, D)
	1057893M1	4	Gasket	(A, B, C, D)
	1043321M1	4	Gasket	(A, B, C, D)
5	1052324M1	2	Screw	(A, B, C, D)
6	1052319M1	2	Strip	(A, B, C, D)
7	1049808M1	1	Plate	(A, B, C, D)
8	353679X1	76	Screw Unc	(A, B, C, D)
9	353446X1	96	Lock Washer	5/16"
				(A, B, C, D)
10	355565X1	96	Nut Unc	(A, B, C, D)
11	1052320M91	1	Channel	Right Hand
				(A, B, C, D)
12	1052321M91	1	Channel	Left Hand
				(A, B, C, D)
14	1052322M91	1	Tank	(A, B, C, D)
15	1043471M1	2	Strip	(A, D)
	1052324M1	2	Screw	(B, C)
16	1054070M91	1	Core	(A)
	1052326M91	1	Core	(B)
	1052325M91	1	Core	(C)
	1055070M91	1	Core	(D)
17	1055023M91	1	Glass	(A, B, C, D)
21	180224M91	1	Cap	(A, B, C, D)
22	589640M91	1	Shroud	(A, B, C)
	771203M91	1	Shroud	(D)
23	365007X1	10	Self Tap Screws	(A, B, C, D)
24	535337M91	1	Kit, Support	Left Hand
				(A, B, C, D)
25	539322M91	1	Kit, Support	Right Hand
				(A, B, C, D)
26	365053X1	10	Self Tap Screws	(A, B, C, D)
27	353724X1	4	Screw Unc	(A, B, C, D)
28	353758X1	4	Washer	17/32 X 1-1/16 X
				7/64"
				(A, B, C, D)
29	375098X1	4	Nut Unc	(A, B, C, D)
34	364126X1	4	Clamp	(A, B, C, D)
35	535333M1	1	Hose	Left Hand
				(A, B, C, D)
36	535332M1	1	Hose	Right Hand
				(A, B, C, D)
37	844287M1	2	Hose	(A, B, C, D)
38	519731M1	4	Clamp	(A, B, C, D)
39	370038X1	2	Hose	1/8 - 27 N.P.T.F. X
				1-3/16"
				(A, B, C, D)
40	535331M1	1	Hose	(A, B, C, D)
41	364125X1	2	Clamp	(A, B, C, D)
42	370039X1	1	Hose	3/4 - 14 N.P.T.F. X
				2-5/32"
				(A, B, C, D)
43	515103M1	2	Clamp	(A, B, C, D)
44	364342X1	2	Clamp	3-1/2"
				(A, B, C, D)
45	578945M1	1	Hose	(A, B, C, D)
46	1016199M1	1	Cock	(A, B, C, D)

FUEL TANK AND LINES





**Download the full PDF manual instantly.**

**Our customer service e-mail:**

**[aservicemanualpdf@yahoo.com](mailto:aservicemanualpdf@yahoo.com)**