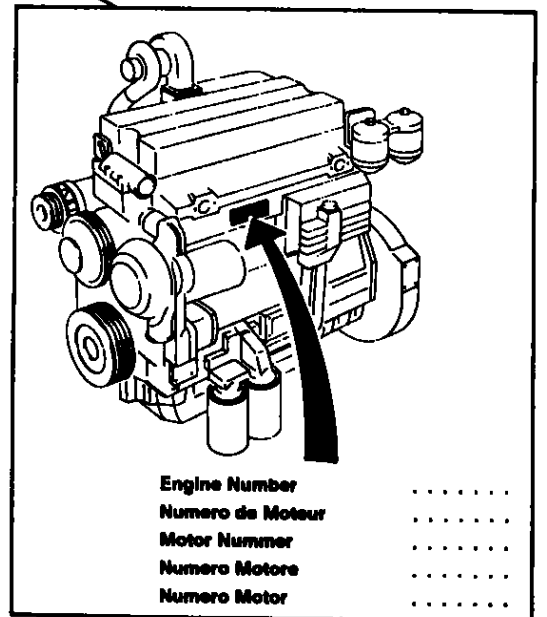
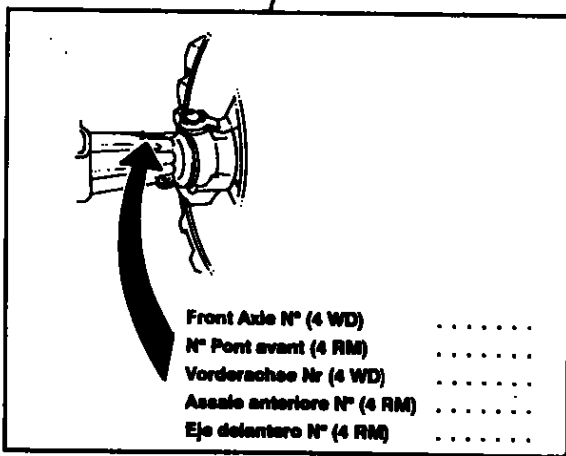
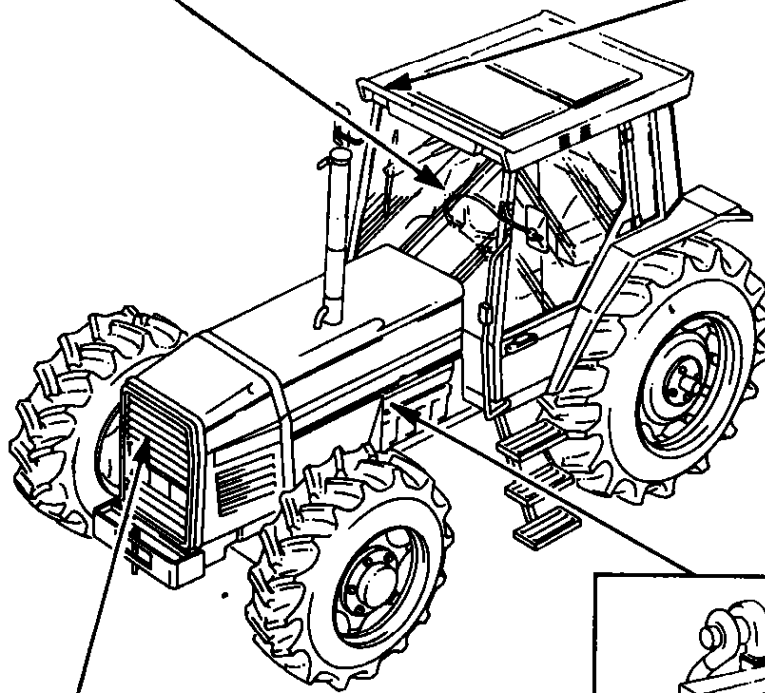
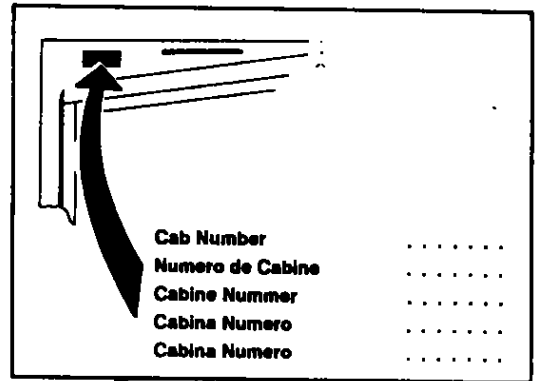
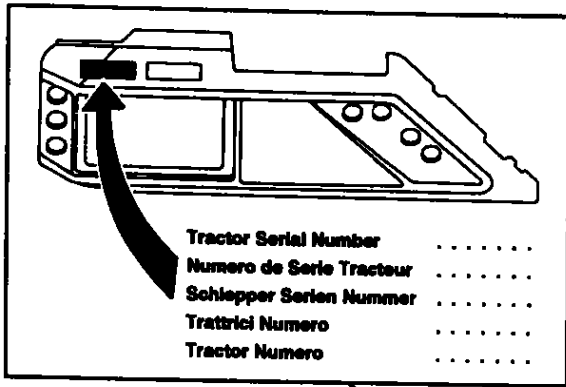


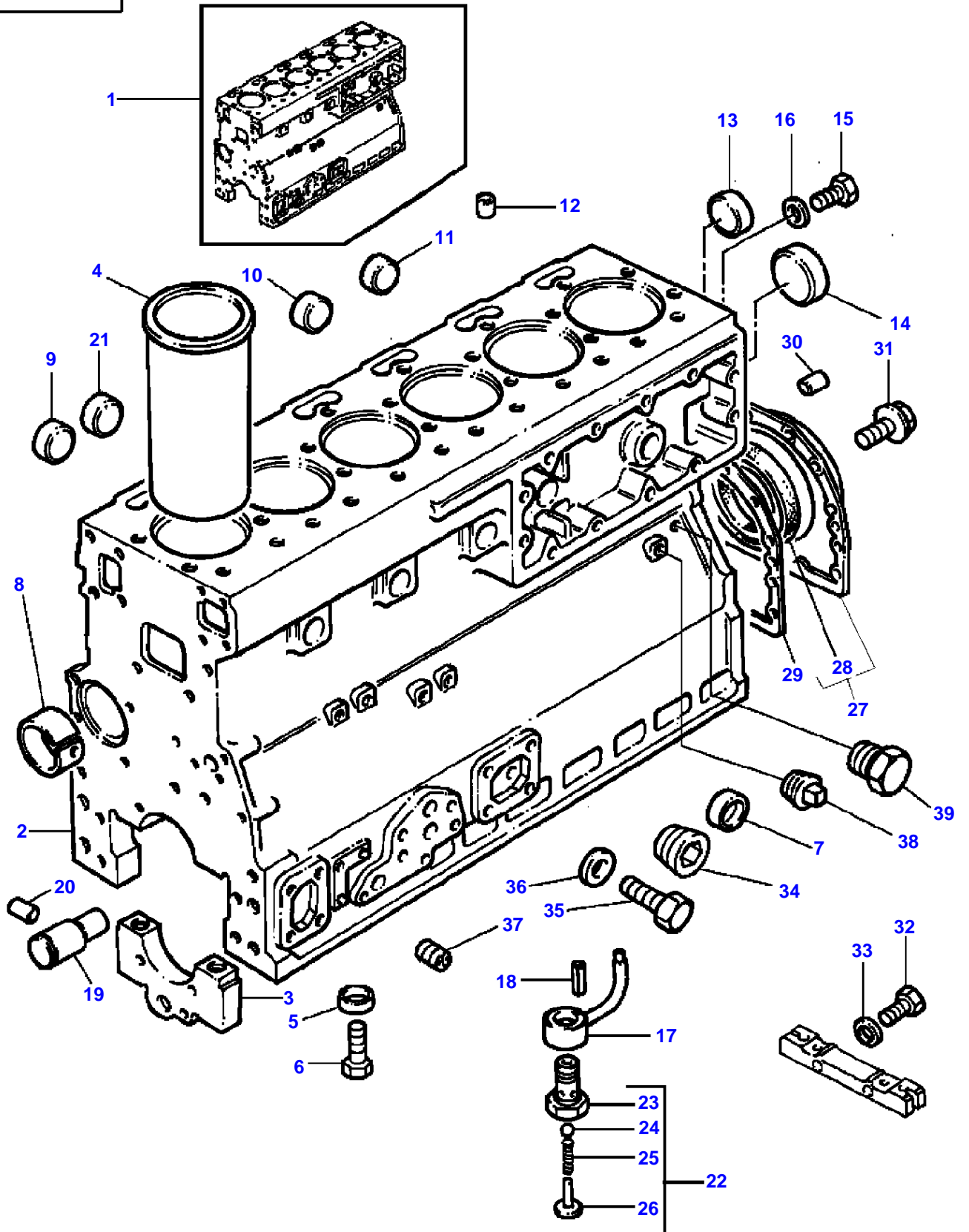
1-0001-004



SECTION DIVIDER

Description	Comments
.	For UK only or any text in English only SERIAL NUMBERS
.	For France only or any text in French only NUMEROS DE SERIES
.	For Germany only or any text in German only SERIEN NUMMER
.	For Italy only or any text in Italian only MATR.O NUMERO
.	E NUMERO SERIE
.	

Y-0560-02M-C



Item	Part Number	Qty	Description	Comments
				T6.60 ENGINE
1	3641789M91	1	Kit,Cyl.Block	Repairs and replaces 3638332M91 Repairs and replaces 3638406M91 Repairs and replaces 3637003M91
2		1	Block	(1) Not serviced, order REF.1
3		7	Cap	(1) Not serviced, order REF.1
4	748216M1	6	Liner	[A] (1)
	748215M1	6	Liner	[F]
5	733072M1	14	Ring	(1)
6	1476108X1	14	Screw	(1)
7	746259M1	5	Plug	(1)
8	4222017M1	1	Bush	(1) Repairs and replaces 3638093M1 Repairs and replaces 734883M1
9	746259M1	3	Plug	(1)
10	746259M1	5	Plug	(1)
11	1476282X1	1	Plug	(1)
12	736868M1	1	Plug	(1)
13	746259M1	1	Plug	(1)
14	4222043M1	1	Plug	(1) 3637015M1
15	376180X1	1	Plug	(1)
16	3638664M1	1	Washer	(1) Repairs and replaces 376196X1
17	747856M91	6	Jet	(1) Repairs and replaces 3637004M1
18	1447763M1	6	Dowel	(1)
19	3637077M1	1	Shaft	[C,D] (1)
20	3638414M1	1	Pin	[C,D] (1)
21	746259M1	3	Plug	[C,D] (1)
22	3637005M91	6	Valve	(1)
23		1	Body	(22) Not serviced, order REF.22
24	3637006M1	1	Ball	(22)
25	748149M1	1	Spring	(22)
26	3637007M1	1	Retainer	(22)
27	3640868M91	1	Housing	[B,G]
28	1447691M1	1	Seal	(27)
29	3641224M1	1	Gasket	Repairs and replaces 3640867M1 Repairs and replaces 3638520M1 Repairs and replaces 740828M1
30	731947M1	2	Dowel	
31	3637008M1	10	Screw	[H]
	3637008M1	12	Screw	[I]
32	3638590M1	2	Screw	Repairs and replaces 748175M1
33	745015M1	2	Washer	
34	1476192X1	1	Plug	
35	3638809M1	1	Screw	
36	1650388M1	1	Washer	
37	748393M1	4	Plug	
38	731996M1	2	Plug	
39	3637016M1	2	Plug	

[A]
SLIP FIT

[B]
WAS 748163M91 USE 3638347M91 WITH 3638590M1 X 2

[C]
USED ONLY WITH LIST YB31246

[D]
USED ONLY WITH LIST YB31264

[F]
PRESS FIT

MASSEY FERGUSON

MF 3645 TRACTOR - 1637213

1637213

CYLINDER BLOCK - T6.60 ENGINE

9

Item Part Number Qty Description Comments

[G]

WAS 3638347M91 USE 3640868M91 + 3641089M1 + 363700 8M1 (2) + 3640947M1

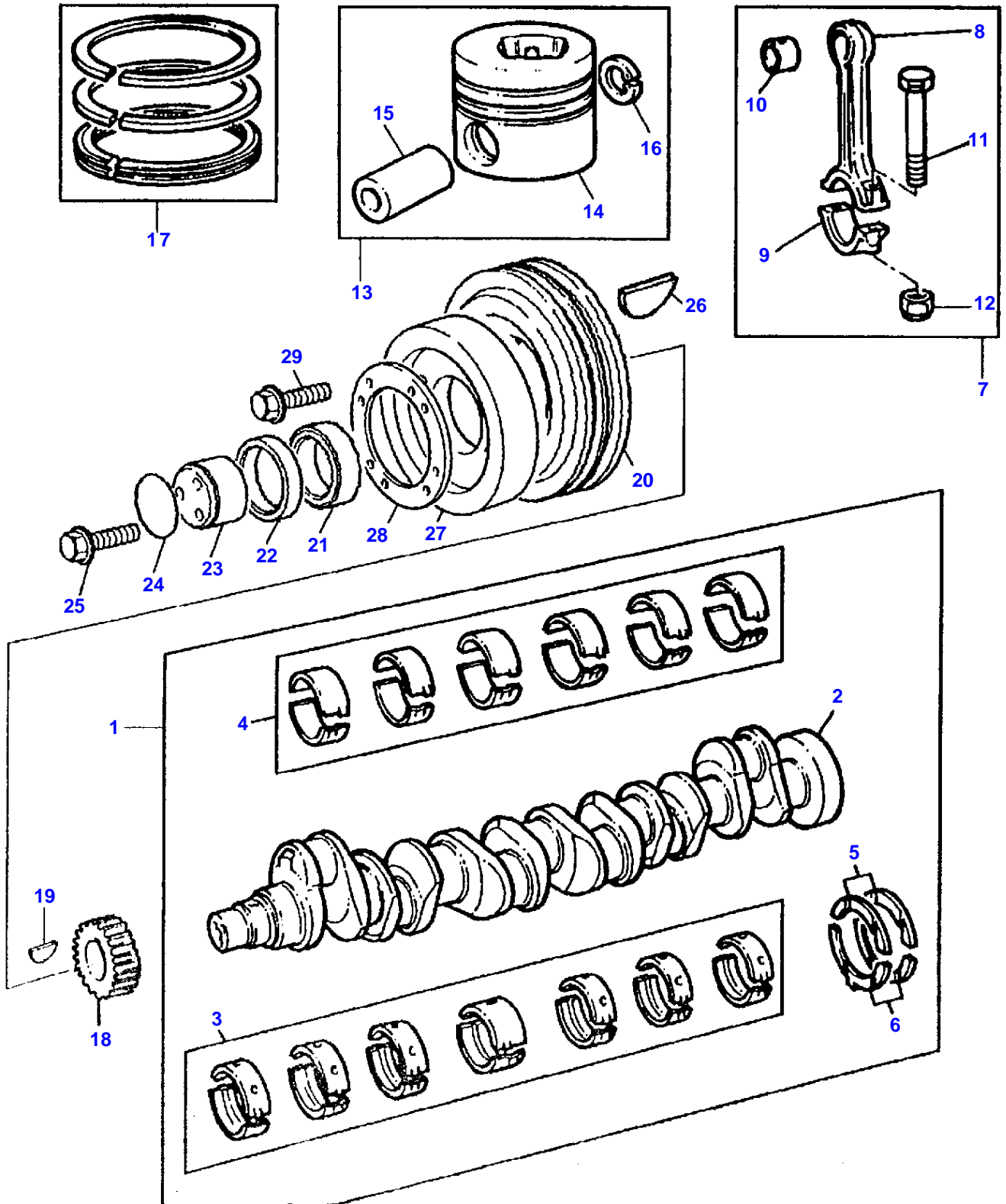
[H]

USED ONLY WITH 3638347M91

[I]

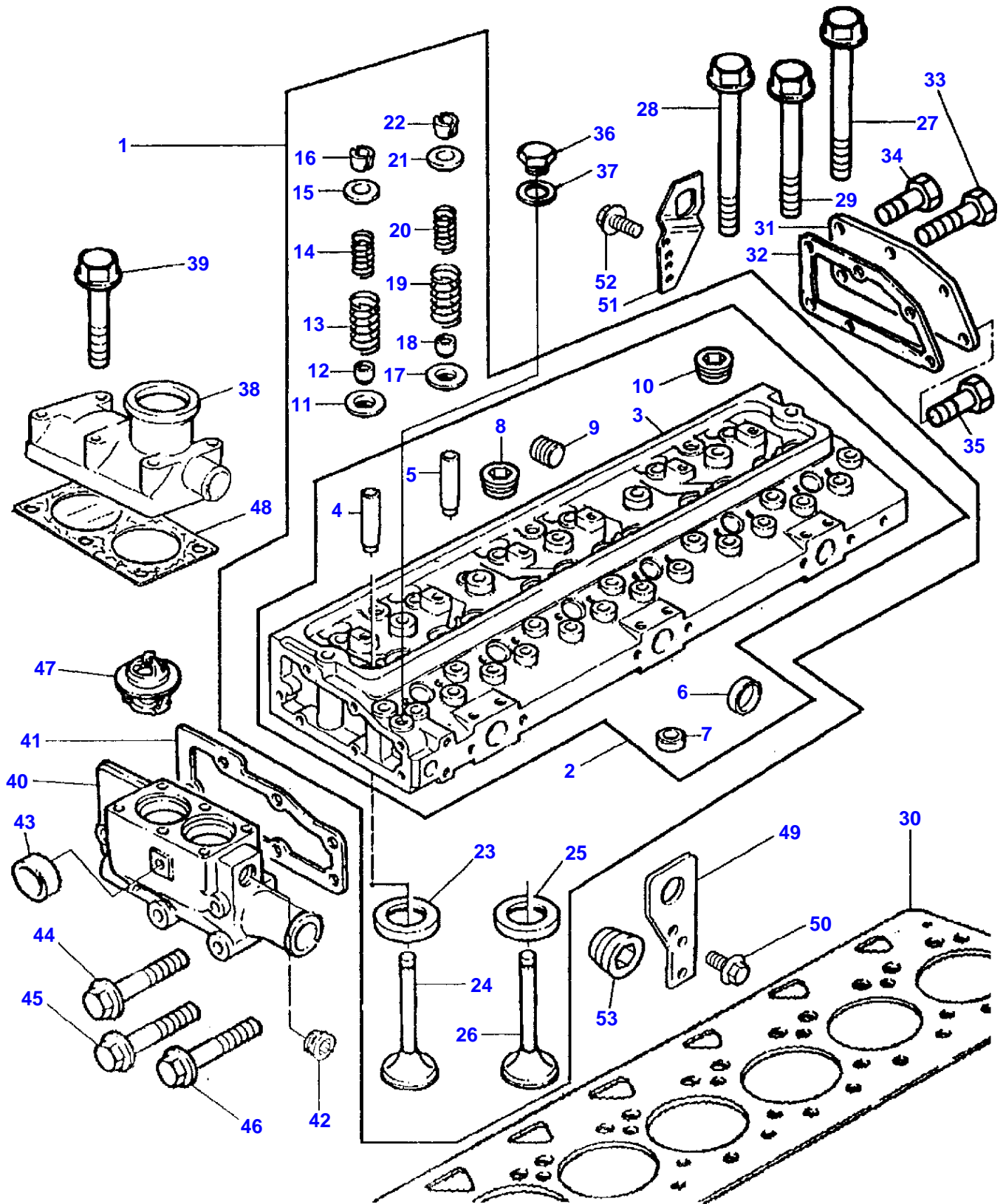
USED ONLY WITH 3640868M91

Y-0563-02M-B



Item	Part Number	Qty	Description	Comments
				T6.60 ENGINE
1	3637019M91	1	Kit, Crankshaft	
2		1	Crankshaft	(1) Not serviced, order REF.1
3	3637020M91	1	Kit, Bearing	[A] (1)
	3637021M91	X	Kit, Bearing	[A] Thickness (-)0.25MM
3	3637022M91	X	Kit, Bearing	[A] Thickness (-)0.50MM
3	3637023M91	X	Kit, Bearing	[A] Thickness (-)0.75MM
4	3637024M91	1	Kit, Bearing	[A] (1)
	3637025M91	X	Kit, Bearing	[A] Thickness (-)0.25MM
4	3637026M91	X	Kit, Bearing	[A] Thickness (-)0.50MM
4	3637027M91	X	Kit, Bearing	[A] Thickness (-)0.75MM
5	747128M1	2	Thrust Washer	(1)
	735742M1	X	Washer	Thickness (+)0.19MM
6	747129M1	2	Thrust Washer	(1)
	735743M1	X	Washer	Thickness (+)0.19MM
7	3637028M91	6	Kit, Conrod	
8		1	Rod	(7) Not serviced, order REF.7
9		1	Cap	(7) Not serviced, order REF.7
10	744971M1	1	Bush	(7)
11	3637029M1	2	Bolt	(7)
12	3637030M1	2	Nut	(7)
13	3638796M91	6	Kit, Piston	[B,C] Repairs and replaces 3638460M91 Repairs and replaces 3637031M91
13	3640593M91	6	Kit, Piston	[D]
14		1	Piston	(13) Not serviced, order REF.13
15		1	Pin	(13) Not serviced, order REF.13
16	1476196X1	2	Circlip	(13) Not serviced, order REF.13
17	3637032M91	6	Kit, Piston Ring	[B,C]
	3641316M91	6	Kit, Piston Ring	[D]
18	748201M1	1	Gear	Number of teeth/spines 28
19	2196X	1	Key	
20	3638407M1	1	Pulley	[B]
	3638588M1	1	Pulley	[C,D]
21	748315M1	1	Spacer	
22	1447128M1	1	Spacer	
23	742536M1	1	Thrust Plate	
24	1447207M1	1	O Ring	
25	748074M1	3	Screw	
26	11940X	1	Woodruff Key	
27	1476037M1	1	Damper	[C]
28	3638589M1	1	Plate	[C]
29	3638590M1	6	Screw	[C]
				[A] PRE-FINISHED
				[B] USED ONLY WITH LIST YB31233
				[C] USED ONLY WITH LIST YB31246
				[D] USED ONLY WITH LIST YB31264

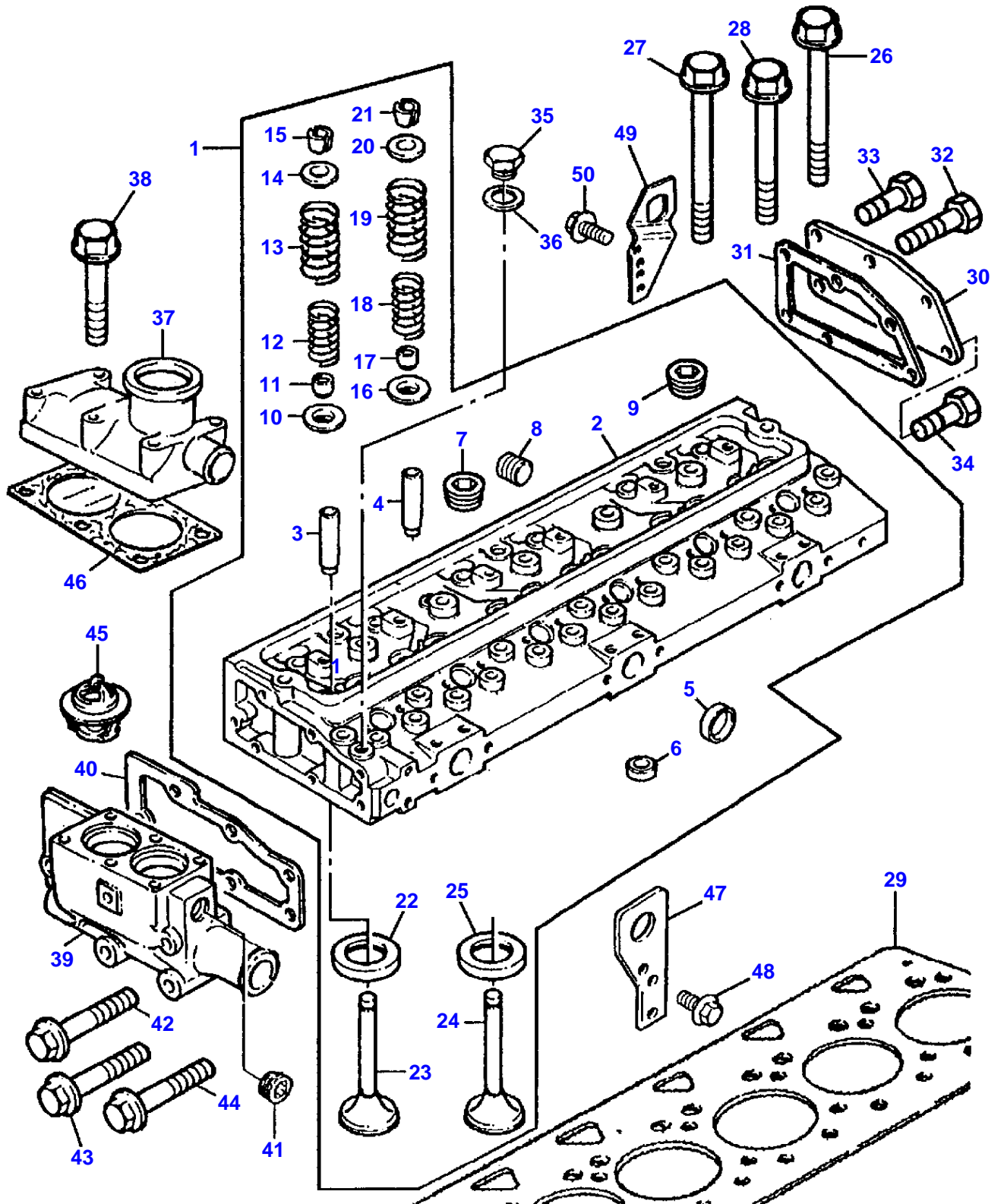
Y-0566-02M-A



Item	Part Number	Qty	Description	Comments
				T6.60 ENGINE - FOR ENGINES BUILT TO BUILD LIST YB3 1233 AND YB31246 ONLY
1	3637037M91	1	Cylinder Head	
2	4222096M91	1	Cylinder Head	(1)
				3637038M91
3		1	Head	(2)
				Not serviced, order REF.1
4	3640676M1	6	Guide	(2)
5	748420M1	6	Guide	(2)
6	731354M1	3	Plug	(2)
7	746260M1	6	Plug	(2)
8	3638546M1	1	Plug	(2)
9	3637040M1	1	Plug	(2)
10	1476192X1	6	Plug	(2)
11	733824M1	6	Washer	(1)
12	3637041M1	6	Seal	(1)
13	740467M1	6	Spring	(1)
14	740465M1	6	Spring	(1)
15	740468M1	6	Cap	(1)
16	736453M1	12	Cotter	[A] (1)
17	733824M1	6	Washer	(1)
18	3637041M1	6	Seal	(1)
19	740467M1	6	Spring	(1)
20	740465M1	6	Spring	(1)
21	740468M1	6	Cap	(1)
22	736453M1	12	Cotter	[A] (1)
23	748387M1	6	Insert	(1)
24	3637042M1	6	Valve Inlet	(1)
25	748410M1	6	Insert	(1)
26	748309M1	6	Valve Exhaust	(1)
27	1476243X1	2	Screw	
28	745662M1	12	Screw	
29	745663M1	18	Screw	
30	3640916M1	1	Head Gasket	Repairs and replaces 3637059M1
31	748368M1	1	Plate	
32	3638693M1	1	Joint	
33	3637011M1	3	Screw	
34	3637051M1	2	Screw	
35	3637011M1	1	Screw	
36	731410M1	1	Plug	
37	376178X1	1	Washer	
38	3637045M1	1	Connection	
39	3637046M1	6	Screw	
40	3641311M1	1	Housing	
41	3638702M1	1	Joint	Repairs and replaces 748303M1
42	3638546M1	2	Plug	
43	731856M1	1	Plug	
44	3637048M1	1	Screw	
45	3637046M1	2	Screw	
46	3637049M1	2	Screw	
47	1447384M1	2	Thermostat	
48	3638700M1	1	Joint	Repairs and replaces 748302M1
49	3637050M1	1	Plate	
50	3637051M1	2	Screw	
51	3638411M1	1	Plate	Repairs and replaces 3637052M1
52	3637053M1	2	Screw	
53	3638546M1	1	Plug	

[A]
SERVICED IN PAIRS

Y-0566-14M-A



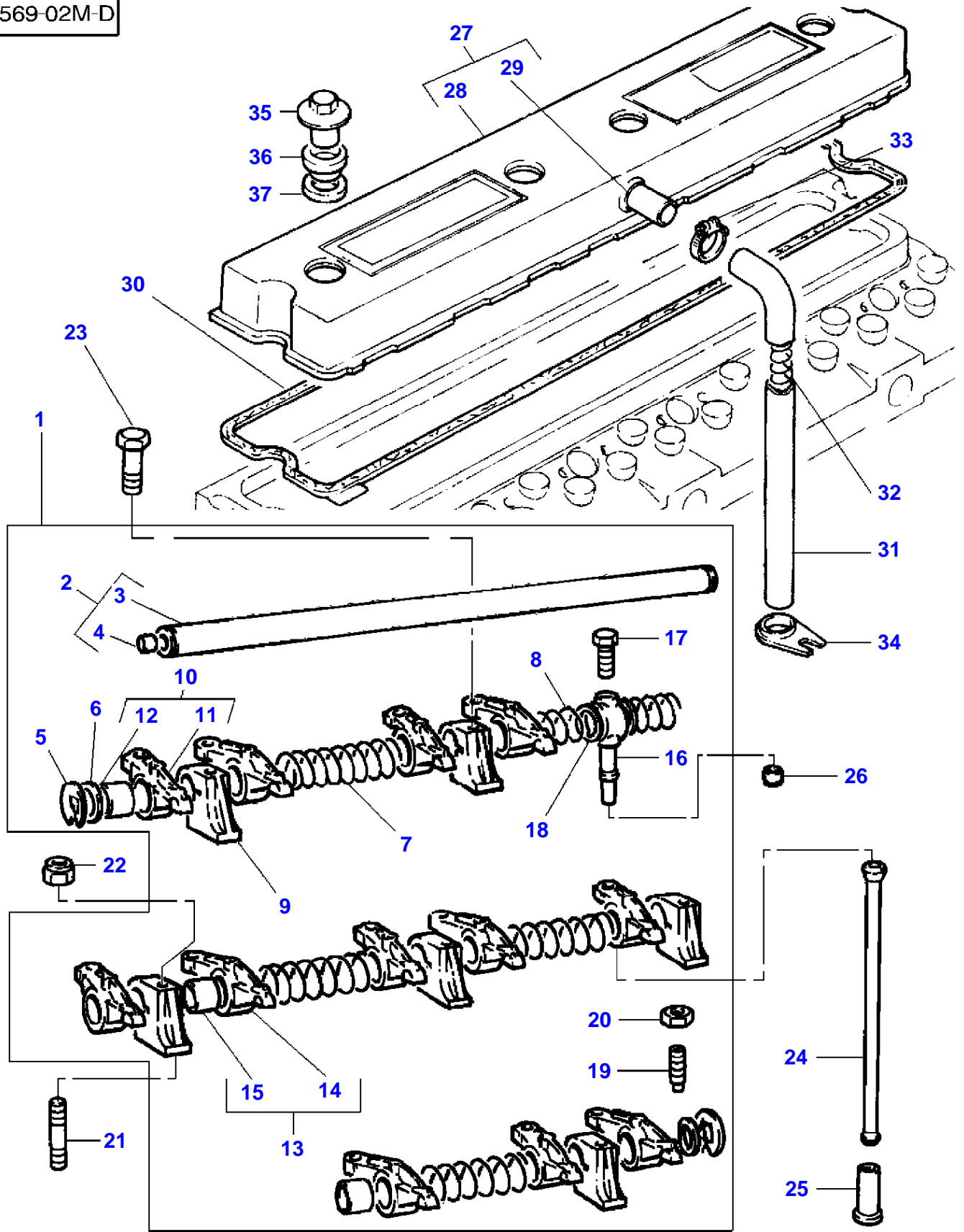
Item	Part Number	Qty	Description	Comments
				T6.60 ENGINE - FOR ENGINES BUILT TO BUILD LIST YB3 1264 ONLY
1	3641804M91	1	Kit, Cyl. Head	
2		1	Head	(1) Not serviced, order REF.1
3	3640676M1	6	Guide	(1)
4	748420M1	6	Guide	(1)
5	731354M1	3	Plug	(1)
6	746260M1	6	Plug	(1)
7	366947X1	1	Plug	[B] (1)
	376606X1	1	Plug	[C]
8	3637040M1	1	Plug	(1)
9	1476192X1	6	Plug	(1)
10	733824M1	6	Washer	(1)
11	3637041M1	6	Seal	(1)
12	740465M1	6	Spring	(1)
13	740467M1	6	Spring	(1)
14	740468M1	6	Cap	(1)
15	736453M1	12	Cotter	[A] (1)
16	733824M1	6	Washer	(1)
17	3637041M1	6	Seal	(1)
18	740465M1	6	Spring	(1)
19	740467M1	6	Spring	(1)
20	740468M1	6	Cap	(1)
21	736453M1	12	Cotter	[A] (1)
22	3640677M1	6	Insert	(1)
23	3640597M1	6	Valve Inlet	(1)
24	748309M1	6	Valve Exhaust	(1)
25	3640712M1	6	Insert	(1)
26	1476243X1	2	Screw	
27	745662M1	12	Screw	
28	745663M1	18	Screw	
29	3640916M1	1	Head Gasket	Repairs and replaces 3637059M1
30	748368M1	1	Plate	
31	3638693M1	1	Joint	
32	3637011M1	3	Screw	
33	3637053M1	2	Screw	
34	3637008M1	1	Screw	
35	731410M1	1	Plug	
36	376178X1	1	Washer	
37	3637045M1	1	Connection	
38	3637046M1	6	Screw	
39	3641311M1	1	Housing	
40	3638702M1	1	Joint	
41	376606X1	2	Plug	
42	3637048M1	1	Screw	
43	3637046M1	2	Screw	
44	3637049M1	2	Screw	
45	1447384M1	2	Thermostat	
46	3638700M1	1	Joint	Repairs and replaces 748302M1
47	3637050M1	1	Plate	
48	3637051M1	2	Screw	
49	3638411M1	1	Plate	
50	3637051M1	2	Screw	

[A]
SERVICED IN PAIRS

[B]
REMOVE AND FIT 376606X1

[C]
REPLACES PLUG SUPPLIED WITH CYLINDER HEAD ASSEMBLY

Y-0569-02M-D



Item	Part Number	Qty	Description	Comments
				T6.60 ENGINE
1	3637060M91	1	Rocker Shaft Ass	
2	3637062M91	1	Rocker Shaft	(1)
3		1	Shaft	(2) Not serviced, order REF.2
4	731330M1	2	Plug	(2)
5	376137X1	2	Circlip	(1)
6	747876M1	2	Washer	(1)
7	733811M1	4	Spring	(1)
8	733812M1	2	Spring	(1)
9	3638403M1	6	Bracket	(1) Repairs and replaces 748324M1
10	3641306M91	6	Rockerarm	(1) Right Hand
11		1	Lever	(10) Not serviced, order REF.10
12	895748M1	1	Bush	(10)
13	3641247M1	6	Lever	(1) Left Hand
14		1	Lever	(13) Not serviced, order REF.13
15	895748M1	1	Bush	(13)
16	3638499M1	1	Connection	[A] (1)
17	3637065M1	1	Screw	[B] (1)
	3638500M1	1	Screw	[C]
18	739513M91	2	Shim	(1)
19	731516M1	12	Bolt	(1)
20	376123X1	12	Nut	(1)
21	3637066M1	4	Stud	
22	3637067M1	4	Nut	
23	3637068M1	2	Screw	[D]
	3637073M1	2	Screw	[E,F]
24	733817M1	12	Rod	
25	4222069M1	12	Tappet	740671M1
26	376525X1	1	Olive	
27	3641896M1	1	Cover	3637069M91
28		1	Cover	(27) Not serviced, order REF.27
29	3638447M1	1	Connection	(27)
30	748329M1	1	Joint	
31	740597M1	1	Pipe	
32	745540M1	1	Spring	
33	3638598M1	1	Clip	Repairs and replaces 1447613M1
34	745489M1	1	Bracket	
35	3637070M1	4	Nut	
36	3638640M1	4	Bush	Repairs and replaces 744387M1
37	365691X1	4	Shim	[F]

[A]
WAS 3637064M1 USE 3638499M1/3638500M1.

[B]
USED ONLY WITH 3637064M1

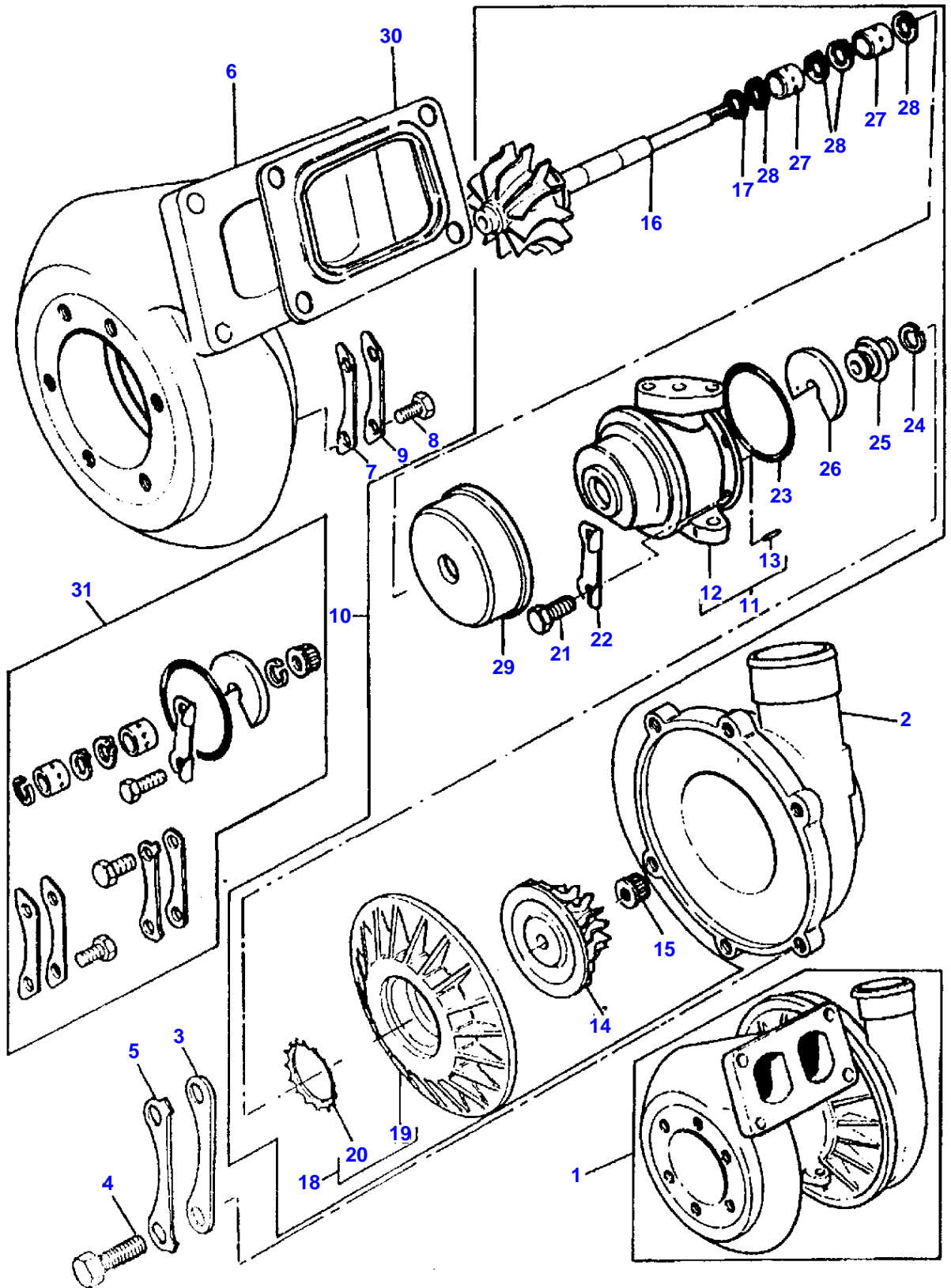
[C]
USED ONLY WITH 3638499M1

[D]
USED ONLY WITH LIST YB31233

[E]
USED ONLY WITH LIST YB31246

[F]
USED ONLY WITH LIST YB31264

Y-0647-02M-A





Download the full PDF manual instantly.

Our customer service e-mail:

aservicemanualpdf@yahoo.com