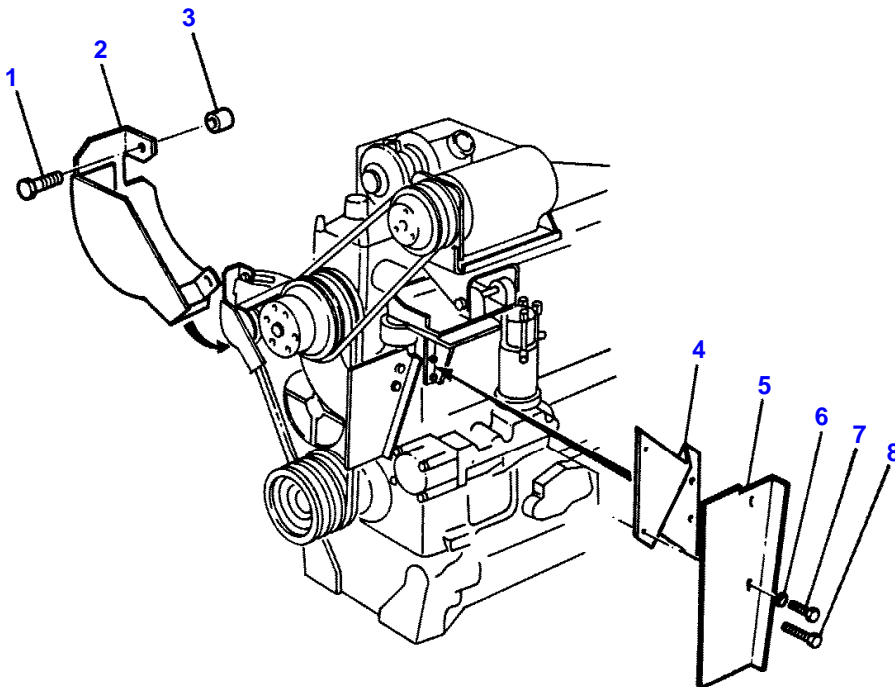


I-0010-089

ENGINE AND ACCESSORIES

Item	Part Number	Qty	Description	Comments
1	3045797M91	1	Engine	
2	353679X1	1	Screw Unc	
3		1	Alternator	See Page - Reference Number 76/
4		1	Pulley	(3) See Page - Reference Number 76/
5		1	Ventilator	(3) Not serviced, order REF NO 3
6		1	Alternator	(3) Not serviced, order REF NO 3
7	3040961M1	1	Support	
8	3040964M2	1	Spacer	
9	3040962M1	3	Spacer	
10	339376X1	1	Lock Washer	
11	339402X1	1	Nut Metric	
12	3040963M1	1	Bearer	
13		1	Compressor	See Page - Reference Number 85A/1
14		1	Startermotor	See Page - Reference Number 78/1
15	353693X1	3	Screw Unc	
16	3386214M1	1	Belt	
17	3386190M91	1	Kit, Belt	
20		1	Fan	See Page - Reference Number 54/
21		6	Screw	See Page - Reference Number 54/
22		6	Washer	See Page - Reference Number 54/
23	3381099M1	1	Cowl	
24	353755X1	3	Washer	
25	3381056M1	1	Tensioner	
26	3040965M1	2	Spacer	
27	353446X1	3	Lock Washer	
28	353525X1	2	Bolt Unf	18X45MM
29	339679X1	1	Bolt Metric	



1- 0010-092

MASSEY FERGUSON

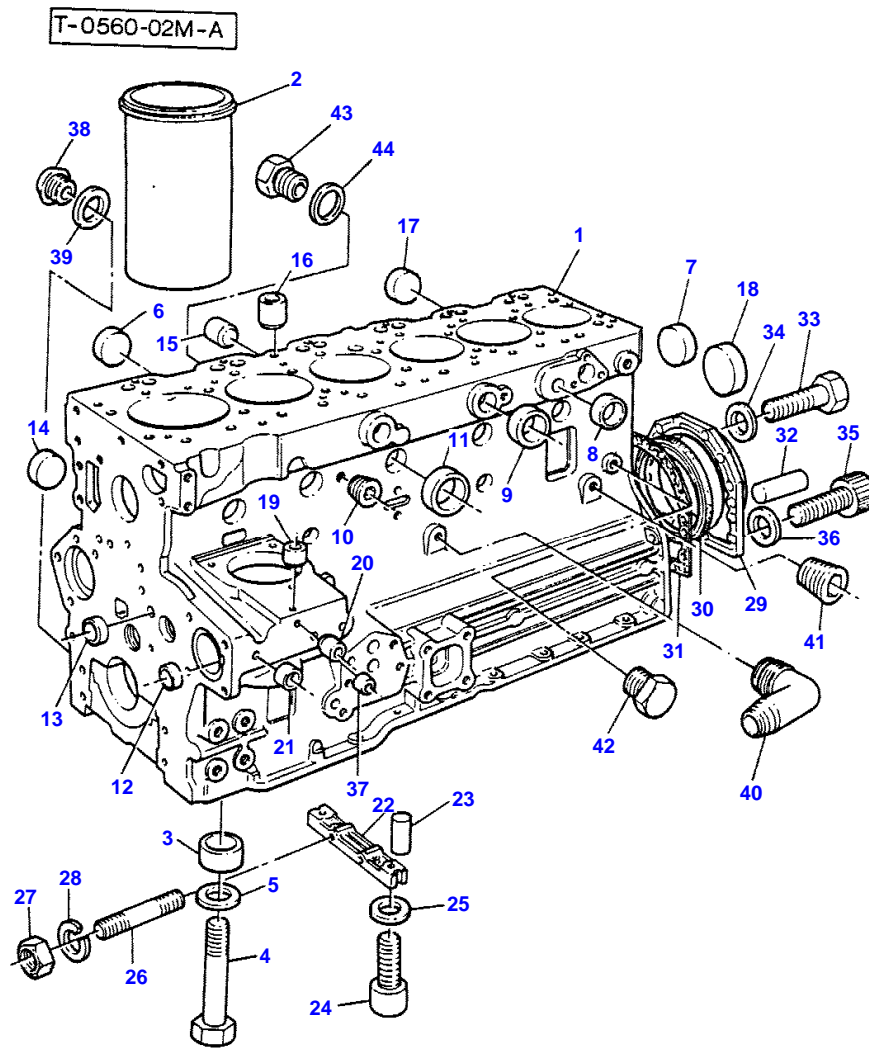
MF 2720 TRACTOR - 1637107

1637107

ENGINE AND ACCESSORIES - UNITED STATES

4

Item	Part Number	Qty	Description	Comments
				UNITED STATES
1	353685X1	1	Bolt Unc	
2	3381365M91	1	Cowl	
3	367833X1	1	Spacer	
4	3381354M1	1	Bearer	
5	3052123M3	1	Deflector	
6	353754X1	2	Washer	
7	361488X1	2	Screw	
8	353665X1	2	Screw Unc	



Item	Part Number	Qty	Description	Comments
				AT6.354.4 ENGINE
1	ZZ 50008	1	Kit,Cyl.Block	Repairs and replaces ZZ50043
2	31358393	6	Liner	Repairs and replaces 63614 (1) (A)
2	31358394	X	Liner	(B)
	31358398	X	Liner	Repairs and replaces 31358403 Thickness (+) 0.010" Thickness (+) 0.25MM
3	33142111	14	Thimble	(1)
4	32166329	14	Bolt	(1)
5		14	Washer	(D)
6	32418117	6	Plug	(1) Repairs and replaces 0650618
7	32418117	2	Plug	(1) Repairs and replaces 0650618
8	0650692	1	Plug	(1) Repairs and replaces 0650664
9	0650710	4	Plug	(1)
10	2431A054	1	Plug	(1) Repairs and replaces 0650586
11	32416116	5	Plug	(1) Repairs and replaces 32417155 Repairs and replaces 32418121
12	32417115	1	Plug	
13	0650566	2	Plug	
14	32418122	1	Plug	Repairs and replaces 0650712
15	32417133	1	Plug	
16	32417134	1	Plug	
17	32418117	5	Plug	Repairs and replaces 0650618
18	32416105	1	Plug	
19	32417134	1	Plug	
20	32417134	1	Plug	
21	32417127	2	Plug	
22	3627P011	1	Bridge Piece	Repairs and replaces 36277825 Repairs and replaces 36277833
23	32811408	2	Joint	(C)
24	2172514	2	Screw	Repairs and replaces 2176369
25	0920521	2	Washer	(C)
26	0826201	2	Stud	
27	0576002	2	Nut	
28	0920053	2	Washer	
29	4142V064	1	Housing	Repairs and replaces 4142V061 Repairs and replaces 4142V031 Repairs and replaces 37513851
30	2418F475	1	Seal	(29) Repairs and replaces 2415391
31	36817157	1	Joint	
32	0350009	2	Dowel	
33	0746211	10	Bolt	
34	0920003	10	Washer	
35	2172530	2	Capscrew	
36	33112111	2	Washer	
37	32417115	1	Plug	
38	32168232	4	Plug	Repairs and replaces 32168231
39	2411157	4	Washer	
40	0201568	1	Connection	
41	2431131	1	Plug	
42	32161114	2	Plug	Repairs and replaces 32161357
43	32161317	1	Plug	
44	2411156	1	Washer	

(A)
PRESS FIT

(B)
SLIP FIT

MASSEY FERGUSON

MF 2720 TRACTOR - 1637107

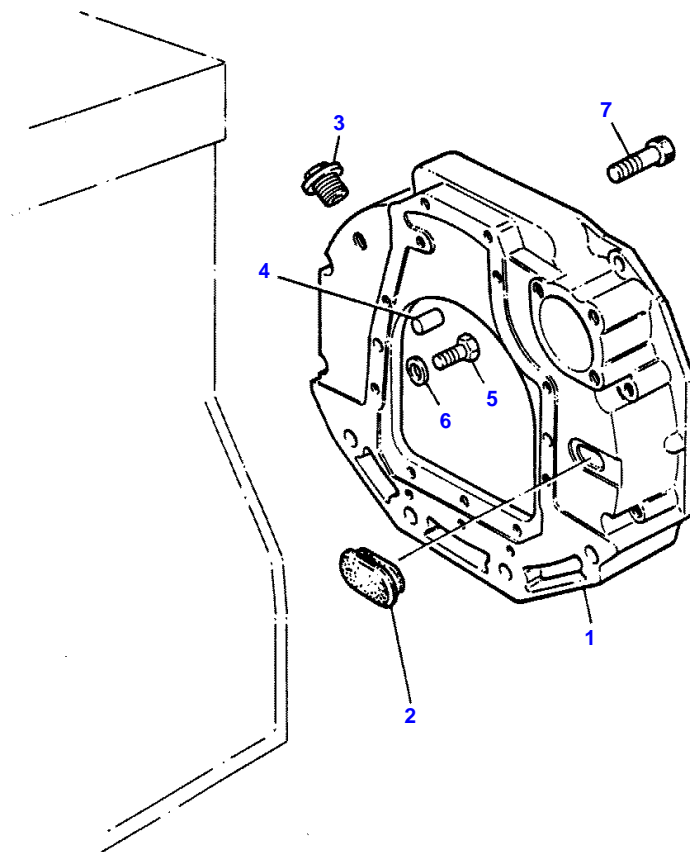
1637107

CYLINDER BLOCK - AT6.354.4 ENGINE

6

Item	Part Number	Qty	Description	Comments
				(C) USED ONLY WITH 36277831/36277833. NOT REQUIRED WITH 36277825/3627P011.
				(D) NO LONGER REQUIRED ON THIS APPLICATION

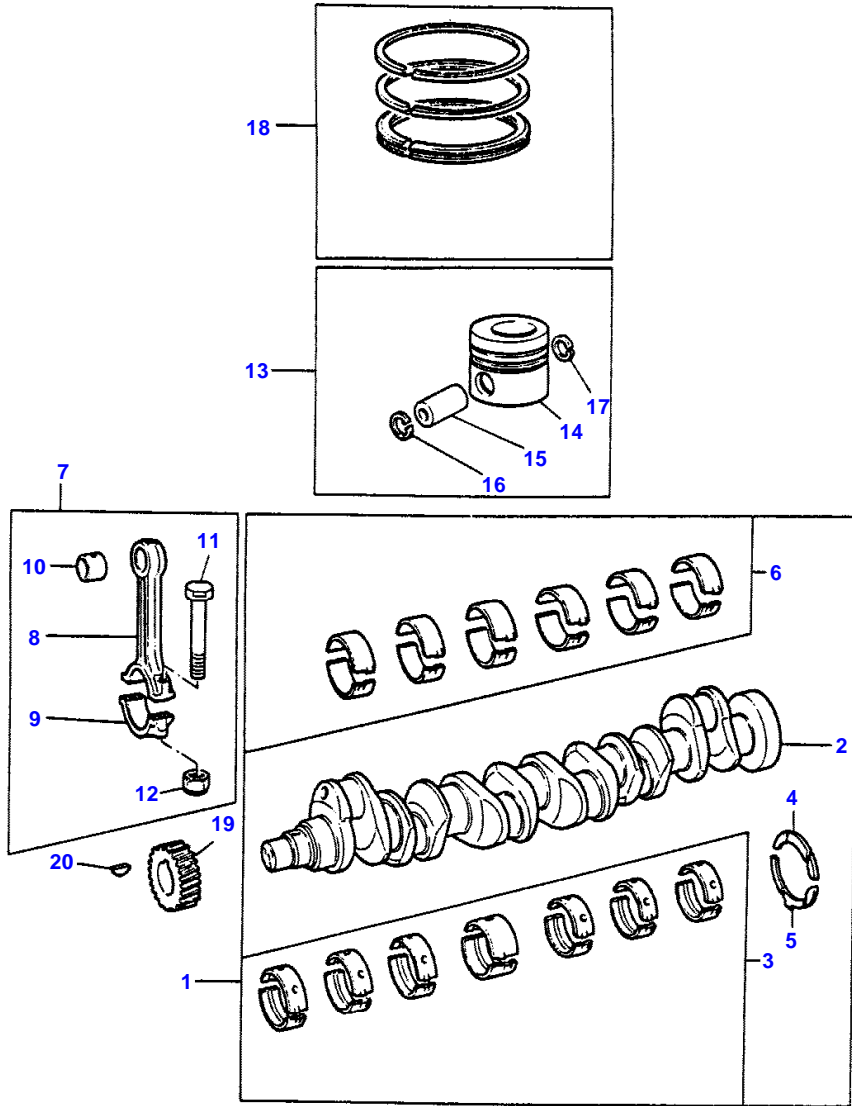
T-0596-02M-B



MASSEY FERGUSON**MF 2720 TRACTOR - 1637107****1637107****FLYWHEEL HOUSING - AT6.354.4 ENGINE****10**

Item	Part Number	Qty	Description	Comments
				AT6.354.4 ENGINE
1	37148191	1	Plate	Up to Serial or Engine Number U739319M
	37148192	1	Plate	From Serial or Engine Number U739320M
2	37813113	1	Plug	
3	32186404	1	Plug	Up to Serial or Engine Number U739319M
4	32455119	2	Dowel	
5	0746462	6	Bolt	
6	33115129	6	Washer	
7	2222157	2	Screw	

T-0563-02M-A

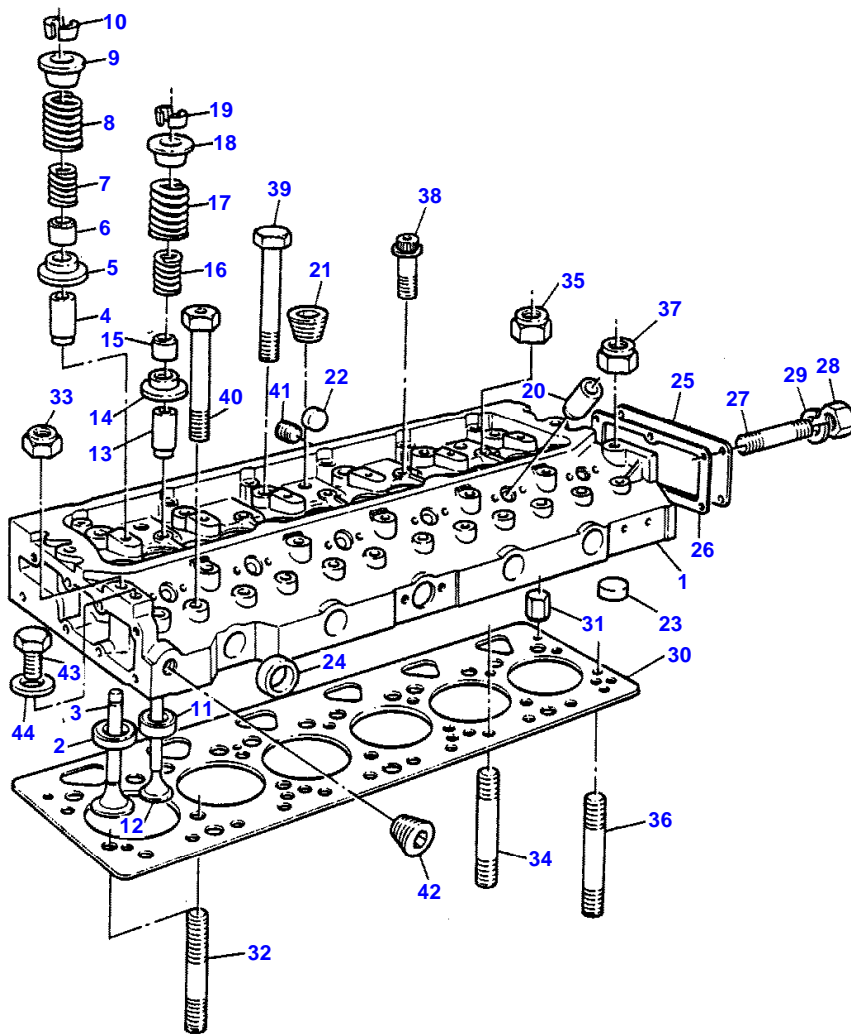


CRANKSHAFT, PISTONS AND CONNECTING RODS - AT6.354.4 ENGINE

Item	Part Number	Qty	Description	Comments
				AT6.354.4 ENGINE
1	ZZ 90086	1	Kit, Crankshaft	Repairs and replaces U5BG0035
2		1	Crankshaft	Repairs and replaces 68077 (1) Not serviced, order REF.1
3	68079	1	Kit, Bearing	(1) (A)
3	68079A	X	Kit, Bearing	(A) Thickness (-)0.25MM Thickness (-)0.010"
3	68079B	X	Kit, Bearing	(A) Thickness (-)0.50MM Thickness (-)0.020"
3	68079C	X	Kit, Bearing	(A) Thickness (-)0.75MM Thickness (-)0.030"
4	31137551	2	Thrust Washer	(1) Repairs and replaces 31137311
4	31137312	X	Thrust Washer	Thickness (+)0.19MM Thickness (+)0.0075"
5	31137561	2	Thrust Washer	(1) Repairs and replaces 31137321
5	31137322	X	Thrust Washer	Thickness (+)0.19MM Thickness (+)0.0075"
6	U5ME0003	1	Kit, Bearing	(1) (A) Repairs and replaces 89064
6	U5ME0003A	X	Kit, Bearing	(A) Thickness (-)0.25MM Thickness (-)0.010" Repairs and replaces 89064A
6	U5ME0003B	X	Kit, Bearing	(A) Thickness (-)0.50MM Thickness (-)0.020" Repairs and replaces 89064B
6	U5ME0003C	X	Kit, Bearing	(A) Thickness (-)0.75MM Thickness (-)0.030" Repairs and replaces 89064C
7	ZZ 90013	6	Kit, Conrod	Repairs and replaces M7BJ0053
8		1	Conrod	(7) Not serviced, order REF.7
9		1	Cap	(7) Not serviced, order REF.7
10	31134131	1	Bush	(7)
11	32762144	2	Bolt	(7)
12	33221328	2	Nut	(7)
13	68802	6	Kit, Piston	(B,D) Repairs and replaces 68390
13	68803	6	Kit, Piston	(C,D) Repairs and replaces 68391
14		1	Piston	(13) Not serviced, order REF.13
15		1	Pin	(13) Not serviced, order REF.13
16	2721A029	1	Circlip	(13)
17	2721A029	1	Circlip	(13)
18	41158005	6	Kit, Piston Ring	(D,E)
19	31171211	1	Gear,Crankshaft	(F,G) 28T
19	31171682	1	Gear,Crankshaft	(H,J) 28T
20	0500012	1	Woodruff Key	(G,J) (A) PRE-FINISHED (B) UNTOPPED

Item	Part Number	Qty	Description	Comments
				(C) PRE-TOPPED
				(D) REFER TO SERVICE BULLETIN NO.10
				(E) REPLACES 68238/68498
				(F) USED ONLY WITH 68077
				(G) NOT INCLUDED IN 68077
				(H) USED ONLY WITH U5BG0035 AND ZZ90086.
				(J) ALSO INCLUDED IN U5BG0035. AND ZZ90086.

T-0566-02M-A





Download the full PDF manual instantly.

Our customer service e-mail:

aservicemanualpdf@yahoo.com