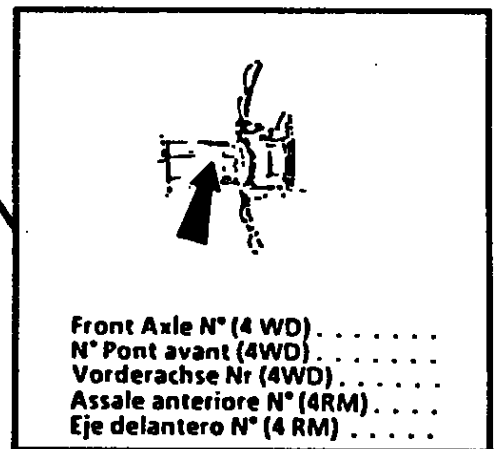
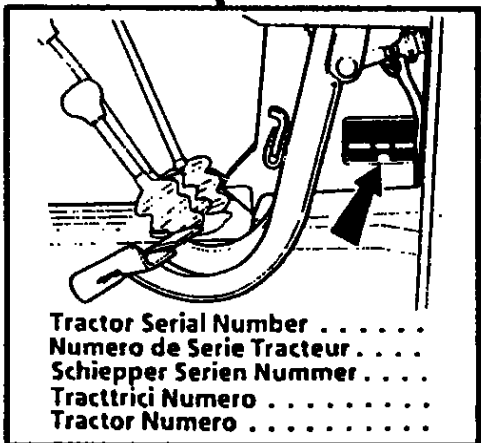
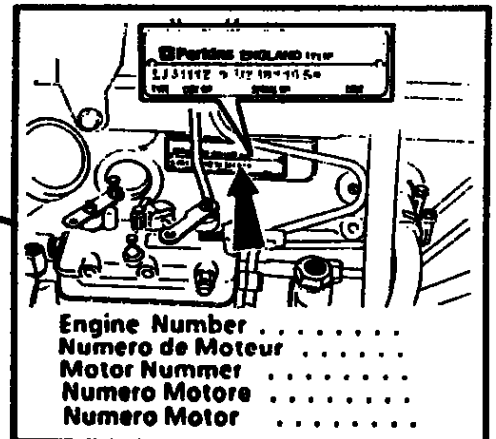
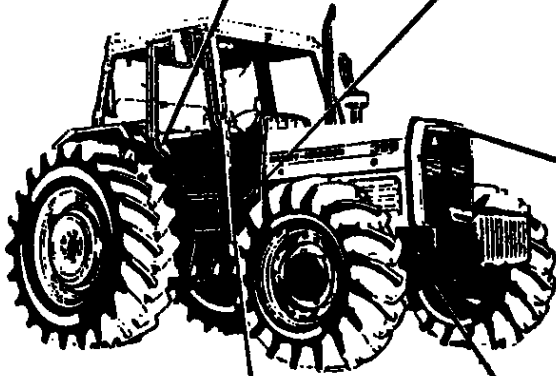
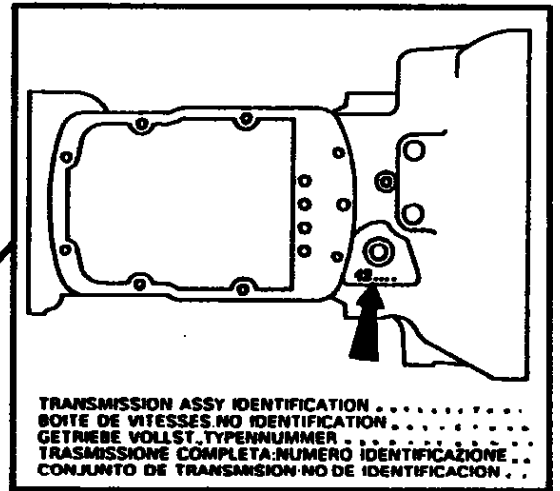
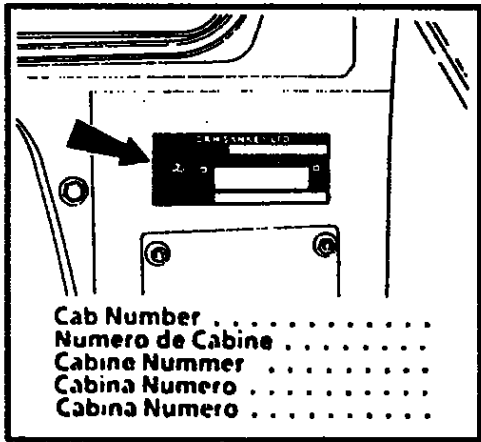


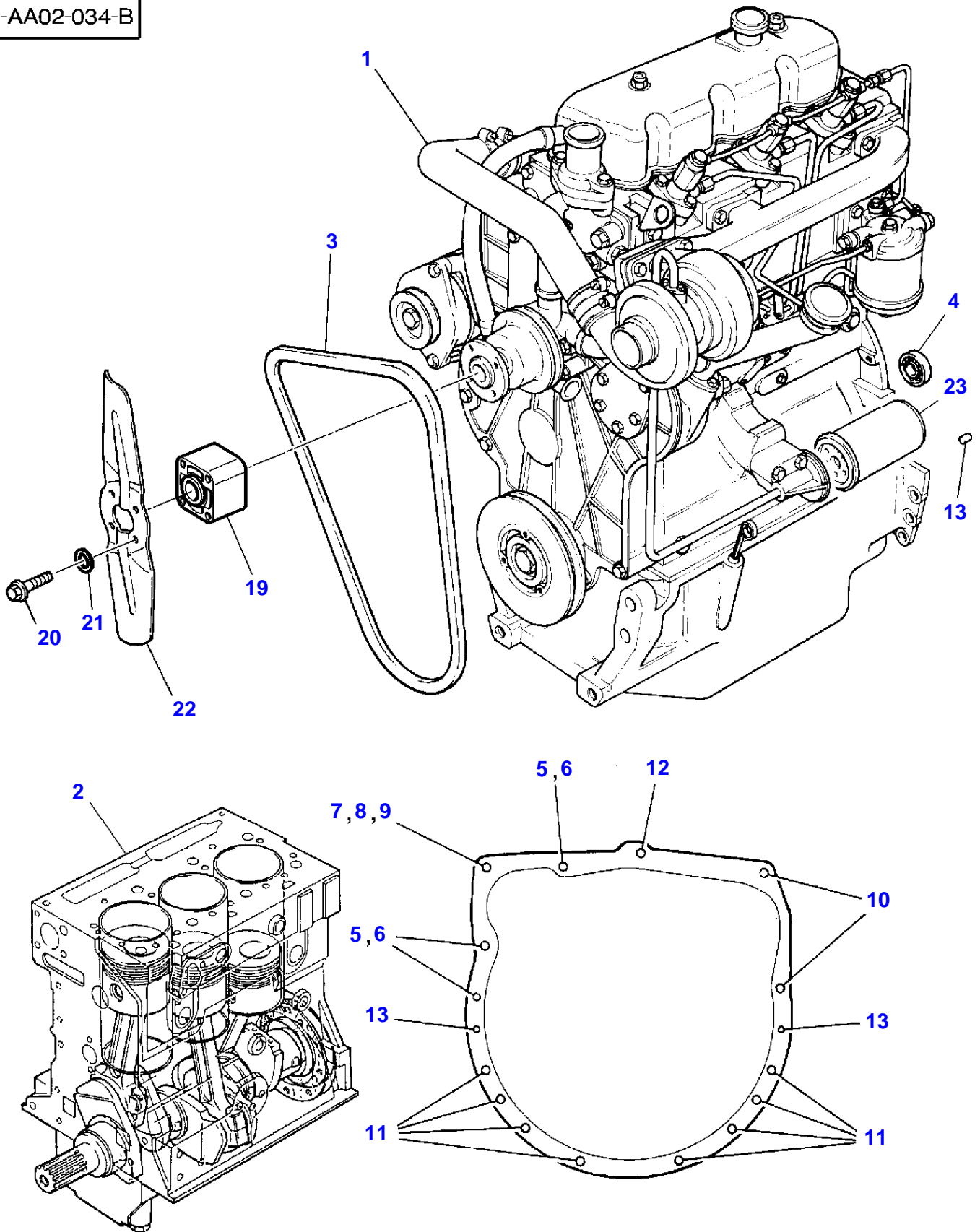
Page Title	Page Number
Section Divider	010-0005
Section Divider	010-0010
Engine Installation	010-0015
Engine - Cylinder Block - Ad3.152	010-0020
Engine - Crankshaft, Pistons & Piston Rod - Ad3.152 Engine	010-0025
Engine - Cylinder Head - Ad3.152 Engine	010-0030
Engine - Camshaft & Rocker Arm - Ad3.152 Engine	010-0035
Engine - Timing Gear Housing - Ad3.152 Engine	010-0040
Engine - Injection System - Ad3.152 Engine	010-0045
Lubricating Oil Sump - Ad3.152 Engine	010-0050
Engine - Oil Cooler & Oil Filter - Ad3.152 Engine	010-0055
Water Pump, Thermostat And Heat Exchanger - Ad3.152 Engine	010-0060
Fuel Oil Lift Pump - Ad3.152 Engine	010-0065
Engine - Intake & Exhaust Manifold - Ad3.152 Engine	010-0070
Alternator Positioner - Ad3.152 Engine	010-0075
Joints And Gaskets - Ad3.152 Engine	010-0080

3-0001-085-B



Description	Comments
.	SERIAL NUMBERS For UK only or any text in English only
.	NUMEROS DE SERIES For France only or any text in French only
.	SERIEN NUMMER For Germany only or any text in German only
.	MATR.O NUMERO For Italy only or any text in Italian only
.	E NUMERO SERIE

3-AA02-034-B

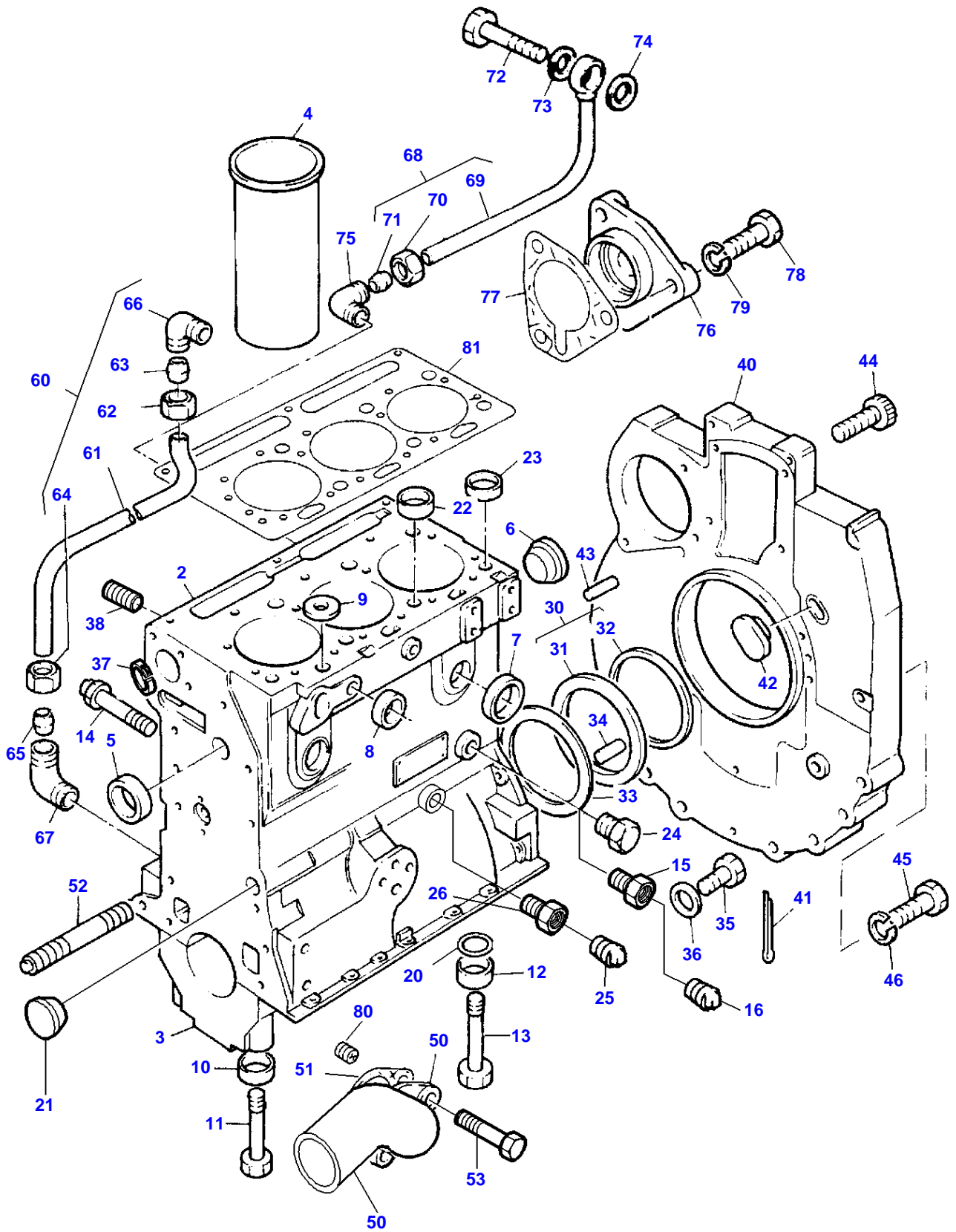


Engine Installation

Item	Part Number	Qty	Description	Comments
1	1693728M91	1	Engine	PEL - CE31160
2	4222503M91	1	Short Engine	PEL - CE39127 Repairs and replaces 3477152M91 Replace and repair. Old not interchangeable with new 3641753M91
3	1693746M1	1	V Belt	
4	828123M2	1	Ball Bearing	
5	3019855X1	2	Hex. Sock. Screw	
6	339369X1	2	Lock Washer	
7	3019857X1	1	Hex. Sock. Screw	
8	339369X1	1	Lock Washer	
9	3019862X1	1	Nut Metric	M12
10	3019852X1	3	Hex. Sock. Screw	M12X55
11	3019855X1	8	Hex. Sock. Screw	M12X70
12	3019858X1	1	Bolt Metric	M12 X 35 Up to Serial or Engine Number 22-OCT-1995
	3019859X1	1	Bolt	M12 X 50 From Serial or Engine Number 23-OCT-1995
	3807754M1	1	Bolt Metric	Up to Serial or Engine Number 30/11/96 M12 X 45/30 From Serial or Engine Number 31/11/96
13	825302M1	2	Dowel	
19	3699880M1	1	Spacer	Thickness 55,8MM Repairs and replaces 3638568M1
20	378805X1	4	Bolt Unf	
21	353770X1	4	Washer	
22	1884738M1	1	Fan	
23	1447082M91	1	Oil Filter	

MF 342 TRACTOR - 819793
C-0560-08M-C

C-0560-08M-C



Item	Part Number	Qty	Description	Comments
1	3637490M91	1	Cylinder Block	Repairs and replaces 746898M91
	3640775M91	1	Cylinder Block	Repairs and replaces 3637490M91 Repairs and replaces 746898M91 Repairs and replaces 3640395M91
2		1	Cylinder Block	(1) Not serviced,order REF.1
3		4	Bearing Cap	(1) Not serviced,order REF.1
4	734179M1	3	Liner	[A] (1)
	739043M1	X	Liner	[B]
	745243M1	X	Liner	Thickness (+) 0.25MM Thickness (+) 0.010"
	3637494M1	X	Liner	Thickness (+)0.76MM Thickness (+)0.030"
5	731354M1	1	Plug	(1)
6	731355M1	1	Plug	(1) Repairs and replaces 731999M1
7	731354M1	5	Plug	(1)
8	3638114M1	2	Plug	(1) Repairs and replaces 733855M1
9	738808M1	1	Plug	(1)
10	3641737M1	6	Plug	(1)
11	1476051X1	6	Screw	(1)
12	3641737M1	2	Plug	(1)
13	1476049X1	2	Screw	(1)
14	1476282X1	1	Plug	(1)
15	22226X	1	Bush	Up to Serial or Engine Number U726816K
16	731996M1	1	Plug	
20	1447053M1	2	O Ring	(1)
21	731356M1	2	Plug	(1)
22	738820M1	2	Plug	(1)
23	738821M1	2	Plug	(1)
24	376670X1	2	Plug	
25	356039X1	1	Plug	Up to Serial or Engine Number U726816K Replace and repair. Old not interchangeable with new 365332X1
26	731997M1	1	Plug	
30	747383M91	1	Housing	
31		1	Housing	(30) Not serviced,order REF.30
32	1447691M1	1	Seal	(30)
33	3641894M1	1	Joint.	
34	731312M1	2	Dowel	
35	353518X1	9	Screw Unf	
36	375703X1	9	Washer	
37	740458M1	1	Bush	(1)
38	748040M1	1	Plug	(1)
40	422232M1	1	Plate	Replace and repair. Old not interchangeable with new 4222018M1
41	376955X1	1	Pin	
42	732902M1	1	Plug	
43	731344M1	2	Dowel	
44	358005X1	2	Screw	
45	353538X1	6	Bolt Unf	
46	353434X1	6	Lock Washer	
50	4222510M1	1	Connection	
51	4222461M1	1	Gasket	
52	3638119M1	1	Stud	
53	1476319X1	2	Screw	From Serial or Engine Number
60	744621M91	1	Pipe,Oil	
61		1	Pipe	(60) Not serviced,order REF.60
62	375738X1	1	Nut	(60)
63	827276M1	1	Olive	(60)
64	375738X1	1	Nut	(60)
65	827276M1	1	Olive	(60)
66	731250M1	1	Connection	
67	731250M1	1	Connection	
68	3638145M91	1	Pipe	
69		1	Pipe	(68) Not serviced,order REF.68
70	375738X1	1	Nut	(68)

Massey Ferguson**342 TRACTOR - 819793**

819793

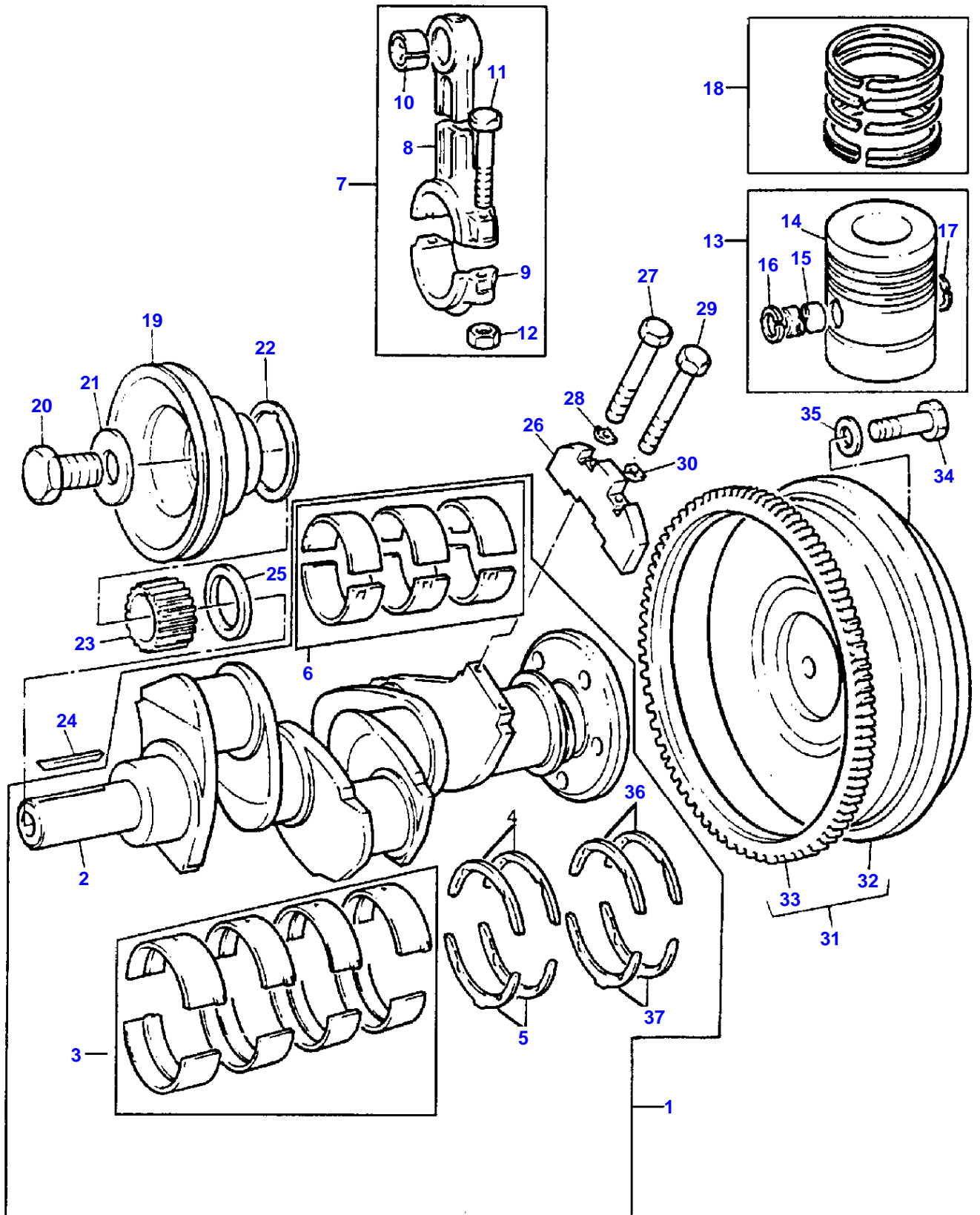
Engine - Cylinder Block - Ad3.152

Page010-0020

Item	Part Number	Qty	Description	Comments
71	827276M1	1	Olive	(68)
72	731294M1	1	Bolt	
73	3638848M1	1	Washer	
74	3638848M1	1	Washer	
75		1	Joint.	Not serviced,order 21820518 Not serviced,order 21820574
76	3638474M1	1	Plate	
77		1	Joint.	Not serviced,order 21820518 Not serviced,order 21820574
78	1476317X1	3	Screw	
79	375703X1	3	Washer	
80	3638111M1	2	Plug	(1)
81	3641399M1	1	Head Gasket	Repairs and replaces 747063M1 Repairs and replaces 3638691M1

FOOTNOTE [A] PRESS FIT**FOOTNOTE [B]** SLIP FIT**FOOTNOTE [D]** ORDER 3640917M1 + 3640918M1

C-0563-08M-B



Item	Part Number	Qty	Description	Comments
1	3641858M91	1	Kit, Crankshaft	Repairs and replaces 3737410M91 Repairs and replaces 3637399M91
2		1	Crankshaft	(1) Not serviced,order REF.1
3	746156M91	X	Kit, Bearing	[A]
	746157M91	X	Kit, Bearing	[A] Thickness (-)0.25MM Thickness (-)0.010"
	746158M91	X	Kit, Bearing	[A] Thickness (-)0.50MM Thickness (-)0.020"
	746159M91	X	Kit, Bearing	[A] Thickness (-)0.75MM Thickness (-)0.030"
4	735112M1	2	Washer	(1)
	735800M1	X	Washer	Thickness (+)0.19MM Thickness (+)0.0075"
5	735113M1	2	Washer	(1)
	735801M1	X	Washer	Thickness (+)0.19MM Thickness (+)0.0075"
6	737070M91	1	Kit, Bearing	[A] (1)
	737071M91	X	Kit, Bearing	[A] Thickness (-)0.25MM Thickness (-)0.010"
	737072M91	X	Kit, Bearing	[A] Thickness (-)0.50MM Thickness (-)0.020"
	737073M91	X	Kit, Bearing	[A] Thickness (-)0.75MM Thickness (-)0.030"
7	3637392M91	1	Kit, Conrod	
8		1	Conrod	(7) Not serviced,order REF.7
9		1	Cap	(7) Not serviced,order REF.7
10	740407M1	1	Bearing	(7)
11	375756X1	2	Bolt	(7)
12	1476245X1	2	Nut	(7)
13	3640714M91	3	Kit, Piston	[B] Repairs and replaces 743117M91
	3638405M91	3	Kit, Piston	[C] Repairs and replaces 742621M91
14		1	Piston	(13) Not serviced,order REF.13
15		1	Pin	(13) Not serviced,order REF.13
16	375709X1	1	Ring	(13)
17	375709X1	1	Ring	(13)
18	745826M91	3	Kit, Piston	Ring
19	734627M1	1	Pulley	
20	1476107X1	1	Screw	
21	731376M1	1	Washer	
22	745057M1	1	Washer	
23	3641826M1	1	Gear	Number of teeth/spines 25
24	731076M1	1	Key	
25	3638657M1	1	Spacer	Repairs and replaces 731227M1 Up to Serial or Engine Number 16/04/94
26	3638565M1	2	Weight	[D]
27	376546X1	2	Screw	
28	4224575M1	2	Washer	Right Hand Replace and repair. Old not interchangeable with new 733644M1
29	376546X1	2	Screw	
30	733645M1	2	Washer	Left Hand
31	740681M91	1	Flywheel	
32		1	Flywheel	(31) Not serviced,order REF.31
33	731008M1	1	Starter Ring	(31)
34	353595X1	6	Bolt Unf	
35	3819725M1	6	Washer	Repairs and replaces 737514M1 Replace and repair. Old interchangeable with new 745365M1

Item	Part Number	Qty	Description	Comments
36	747323M1	1	Thrust Washer	(1)
36	747324M1	X	Thrust Washer	Thickness (+)0.19MM Thickness (+)0.007"
37	747325M1	1	Thrust Washer	(1)
37	747326M1	X	Thrust Washer	Thickness (+)0.18MM Thickness (+)0.007"

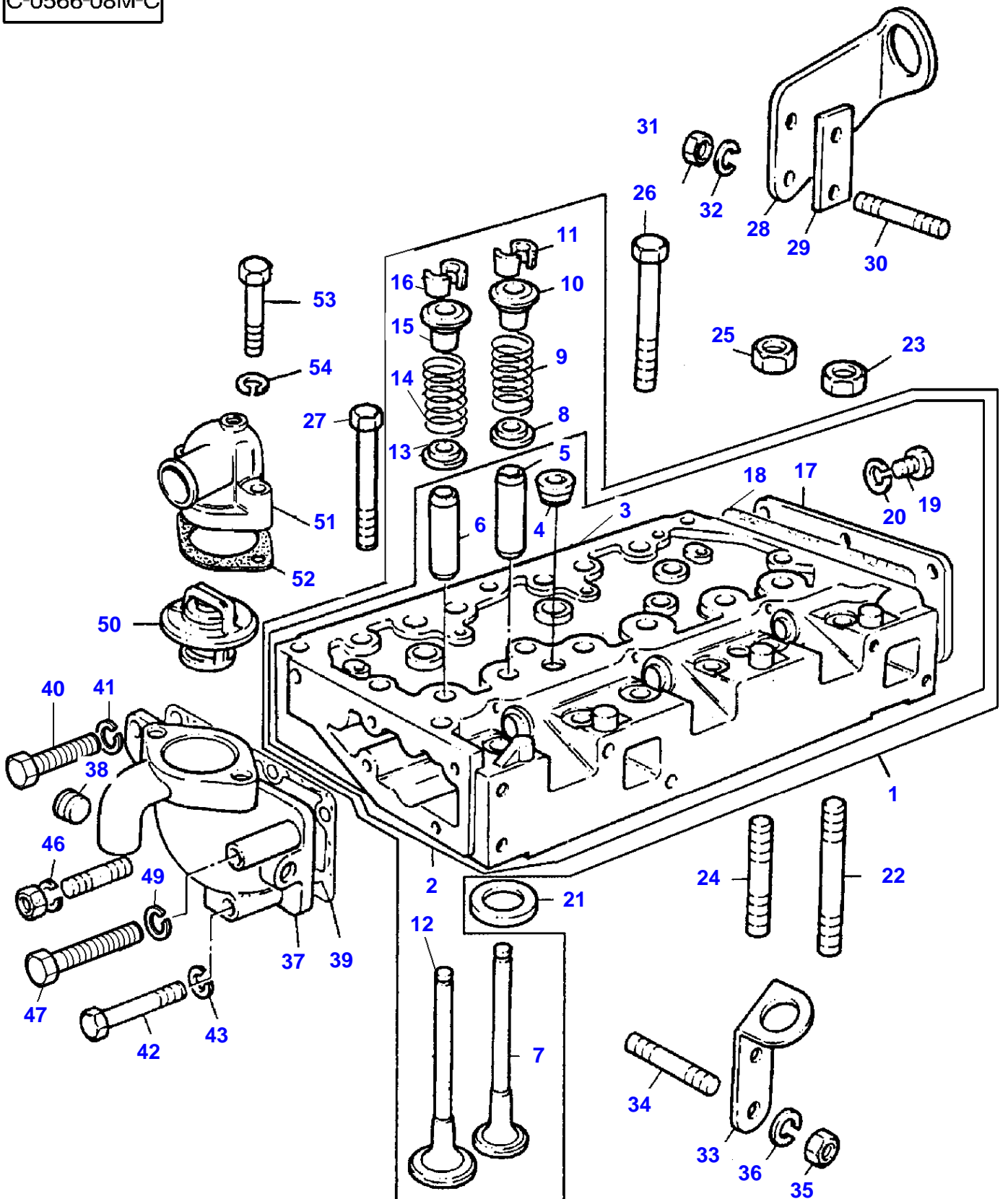
FOOTNOTE [A] PRE-FINISHED

FOOTNOTE [B] UNTOPPED

FOOTNOTE [C] PRE-TOPPED

FOOTNOTE [D] REPLACES 745483M1 IN ENGINE SETS ONLY(QTY 2).

C-0566-08M-C



Item	Part Number	Qty	Description	Comments
1	3637389M91	1	Kit, Cyl. Head	
2	3637525M91	1	Cylinder Head	(1)
3		1	Cylinder Head	(2)
				Not serviced,order REF.2
4	376606X1	2	Plug	(2)
5	4223519M1	3	Guide	(2)
6	4223519M1	3	Guide	Replace and repair. Old not interchangeable with new 732445M1 (2)
7	3637529M1	3	Exhaust Valve	Replace and repair. Old not interchangeable with new 732445M1 (1)
				Repairs and replaces 747581M1
8	736185M1	3	Washer	(1)
9	3637678M1	3	Spring	[A] (1)
	731154M1	3	Spring	[B]
10	747697M1	3	Cap	(1)
11	731155M1	6	Cotter	[C] (1)
12	739060M1	3	Inlet Valve	(1)
13	736185M1	3	Washer	(1)
14	3637678M1	3	Spring	[A] (1)
	731154M1	3	Spring	[E]
15	747697M1	3	Cap	(1)
16	731155M1	6	Cotter	[C] (1)
17	747754M1	1	Plate	(2)
18	4222004M1	1	Gasket	(2)
19	353517X1	6	Bolt Unf	(2)
20	339374X1	6	Lock Washer	(2)
21	735831M1	3	Insert	
22	734308M1	1	Stud	
23	1476263X1	1	Nut	
24	742271M1	3	Stud	
25	1476263X1	3	Nut	
26	1476264X1	5	Screw	
27	1476265X1	9	Screw	
28	3638166M1	1	Plate	
29	748234M1	1	Spacer	
30	3637702M1	2	Stud	
31	353431X1	2	Nut Unf	
32	353434X1	2	Lock Washer	
33	733227M1	1	Plate	
34	731381M1	2	Stud	
35	353431X1	2	Nut Unf	
36	353434X1	2	Lock Washer	
37	746835M1	1	Body	
38	4224584M1	1	Plug	Replace and repair. Old interchangeable with new 1476192X1
39	4222073M1	1	Joint.	Repairs and replaces 731254M1
40	1476319X1	3	Screw	
41	339374X1	2	Lock Washer	
42	375727X1	1	Bolt	
43	353434X1	1	Lock Washer	
46	339374X1	1	Lock Washer	
47	353554X1	1	Bolt Unf	
49	353434X1	1	Lock Washer	
50	1446165M91	1	Thermostat	
51	3638202M1	1	Connection	
52	4222057M1	1	Gasket	
53	3641304M1	2	Screw	
54	353434X1	2	Lock Washer	

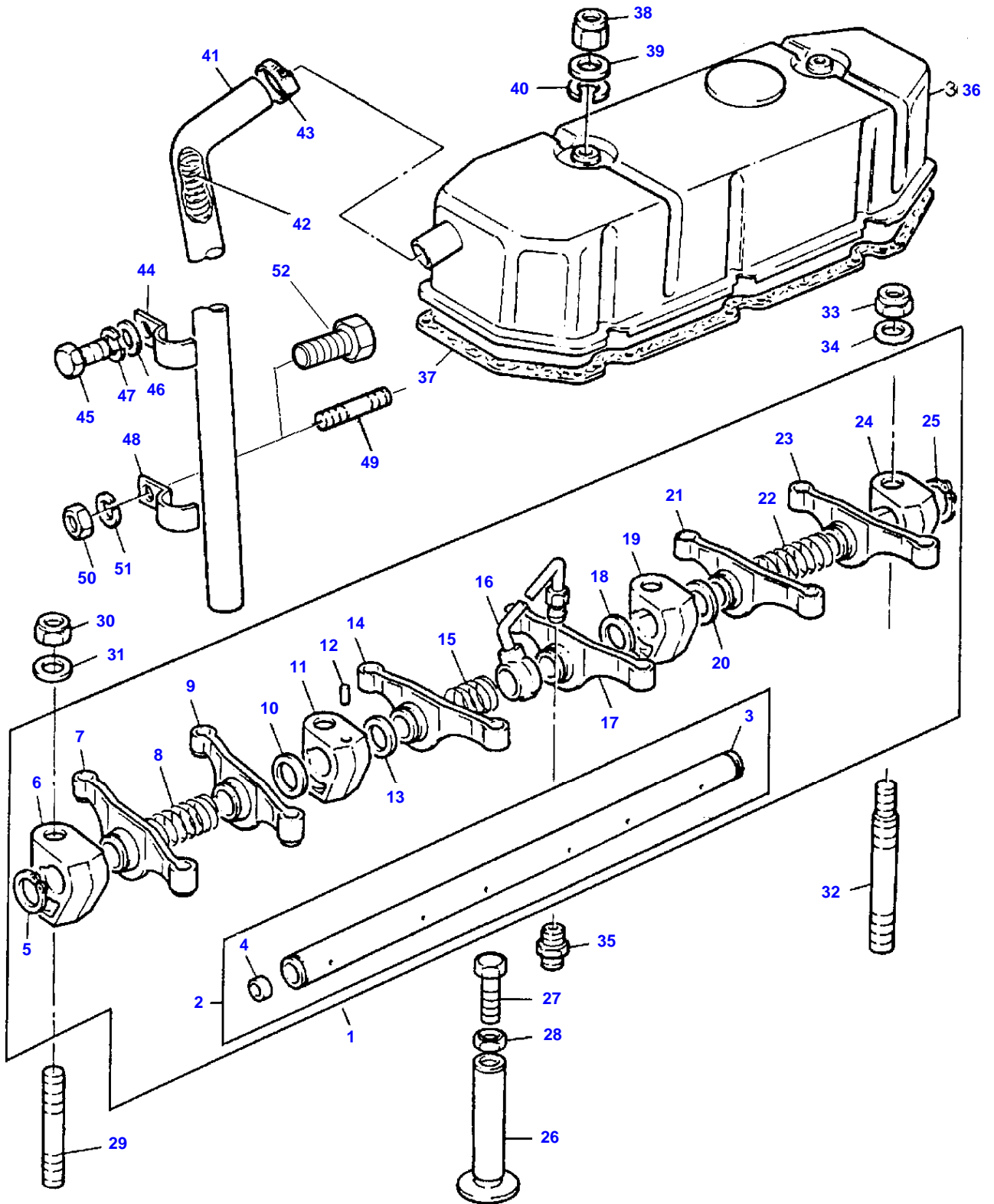
FOOTNOTE [A] REMOVE AND FIT 731154M1

FOOTNOTE [B] FITTED IN PLACE OF EXHAUST VALVE SPRINGS SUPPLIED WITH CYLINDER HEAD ASSEMBLY

FOOTNOTE [C] SERVICED IN PAIRS

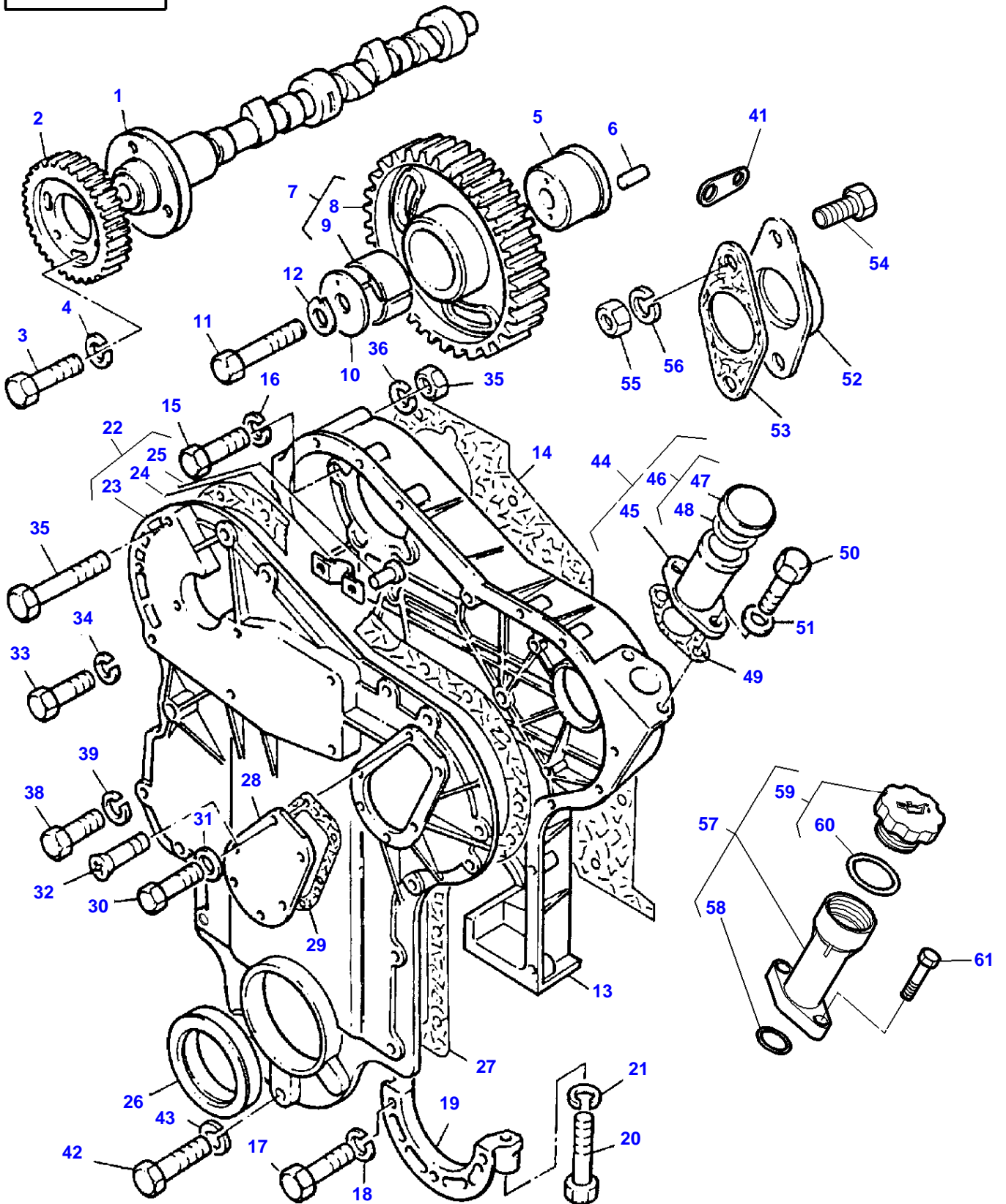
FOOTNOTE [E] FITTED IN PLACE OF INLET VALVE SPRINGS SUPPLIED WITH CYLINDER HEAD ASSEMBLY

C-0569-05M-B



Item	Part Number	Qty	Description	Comments
1	3638374M91	1	Rocker Shaft Ass	Repairs and replaces 3637531M91 Repairs and replaces 3638552M91
2	3637532M91	1	Rocker Shaft	(1)
3		1	Shaft	(2) Not serviced,order REF.2
4	731330M1	2	Plug	(2)
5	375717X1	1	Circlip	(1)
6	731140M1	1	Bracket	(1)
7	3638185M1	1	Lever	(1) Repairs and replaces 747691M1
8	731262M1	1	Spring	(1)
9	3638185M1	1	Lever	(1) Repairs and replaces 747691M1
10	731261M1	1	Spacer	(1)
11	747074M1	1	Bracket	(1)
12	1447719M1	1	Pin	(1)
13	731261M1	1	Spacer	(1)
14	3638184M1	1	Lever	(1) Repairs and replaces 747690M1
15	731263M1	1	Spring	(1)
16	742191M91	1	Pipe	(1)
17	3638185M1	1	Lever	(1) Repairs and replaces 747691M1
18	731261M1	1	Spacer	(1)
19	731140M1	1	Bracket	(1)
20	731261M1	1	Spacer	(1)
21	3638184M1	1	Lever	(1) Repairs and replaces 747690M1
22	731262M1	1	Spring	(1)
23	3638184M1	1	Lever	(1) Repairs and replaces 747690M1
24	731140M1	1	Bracket	(1)
25	375717X1	1	Circlip	(1)
26	731150M1	6	Tappet	
27	3638112M1	6	Screw	
28	376123X1	6	Nut	
29	1476274X1	2	Stud	
30	376536X1	2	Nut	
31	1476033X1	2	Washer	
32	746622M1	2	Stud	
33	376536X1	2	Nut	
34	1476033X1	2	Washer	
35	731514M1	1	Union	
36	740760M91	1	Cover	
37	735057M1	1	Joint.	
38	375721X1	2	Nut	
39	3638131M1	2	Washer	
40	3638122M1	2	Washer	
41	740497M1	1	Pipe	
42	742216M1	1	Spring	
43	3641405M1	1	Hose Clip	Repairs and replaces 375790X1 Replace and repair. Old not interchangeable with new 3638598M1
44	740752M1	1	Clip	
45	353668X1	1	Bolt Unc	
46	344107X1	1	Washer	
47	353441X1	1	Lock Washer	
48	740752M1	1	Clip	
49		X	Not Used	
50		X	Not Used	
51	353446X1	1	Lock Washer	
52	3638542M1	1	Screw	

C-0572-07M-D

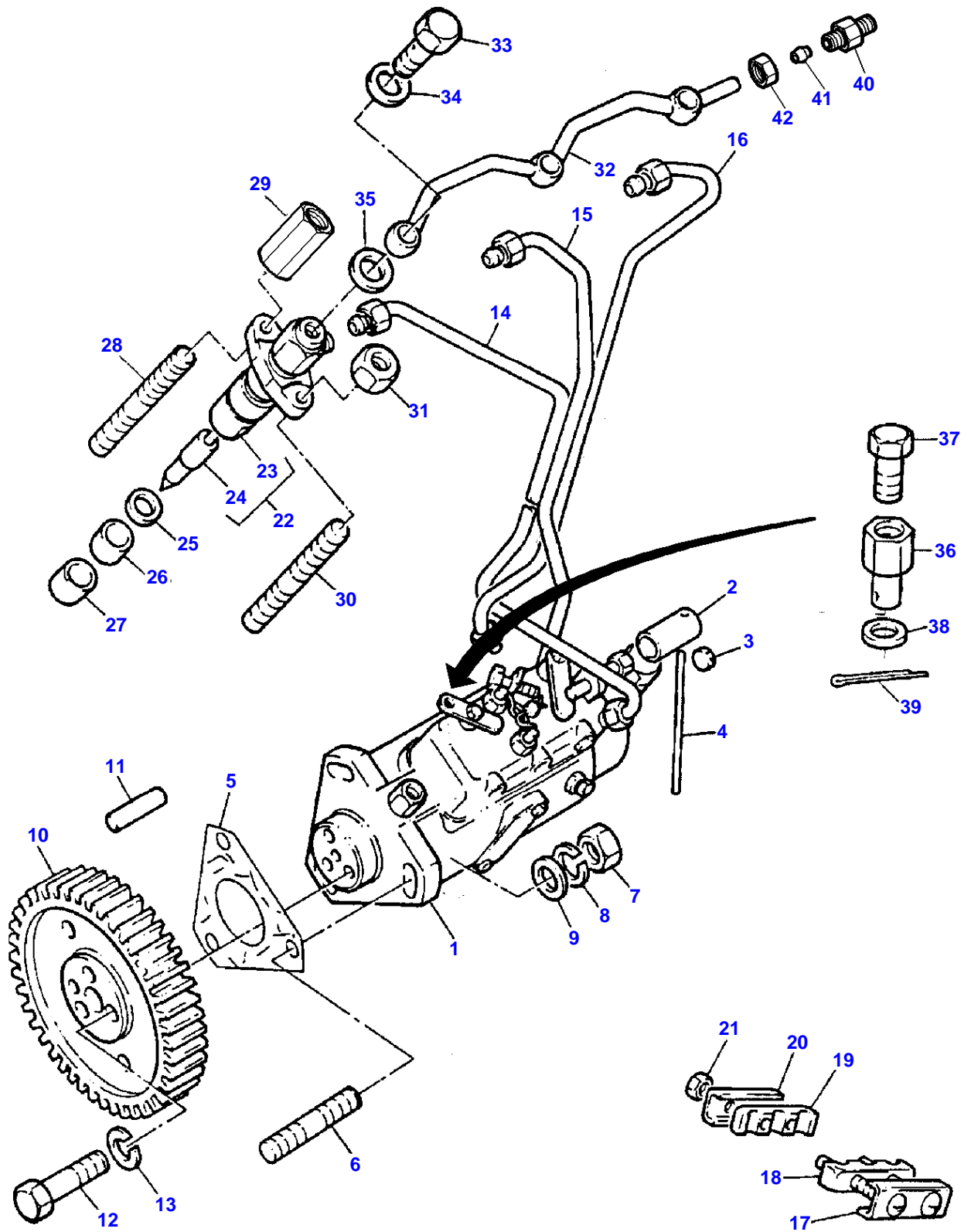


Item	Part Number	Qty	Description	Comments
1	733507M1	1	Camshaft	
2	3637541M1	1	Gear	Number of teeth/spines 50 Repairs and replaces 731203M1
3	375804X1	3	Bolt	
4	339374X1	3	Lock Washer	
5	731204M1	1	Hub	
6	731368M1	1	Dowel	
7	3638219M91	1	Gear	Number of teeth/spines 90
8		1	Gear	(7) Not serviced,order REF.7
9	3637942M1	1	Bush	(7)
10	4222231M1	1	Plate	Replace and repair. Old not interchangeable with new 731206M1
11	375764X1	1	Bolt	
12	731207M1	1	Washer	
13	739477M1	1	Housing	
14	4222912M1	1	Gasket	
15	375732X1	12	Screw	
16	353446X1	12	Lock Washer	
17	353525X1	2	Bolt Unf	
18	339374X1	2	Lock Washer	
19	731214M1	1	Cover	
20	3639209M1	2	Screw	
21	339374X1	2	Lock Washer	
22	3637397M91	1	Cover	
23		1	Cover	(22) Not serviced,order REF.22
24	746380M1	1	Spring	(22)
25	4223868M1	1	Rivet	(22)
26	1447689M1	1	Oil Seal	(22)
27	3641895M1	1	Joint.	
28	3638159M1	1	Plate	Repairs and replaces 3638646M1
29	4222114M1	1	Gasket	
30	3638647M1	6	Screw	
31	391130X1	6	Lock Washer	
32	3637719M1	6	Screw	[B]
33	353678X1	2	Screw Unc	
34	339374X1	2	Lock Washer	
35	375700X1	1	Bolt	
	353535X1	1	Bolt Unf	
36	353916X1	1	Nut Unf	
37	339374X1	1	Lock Washer	
38	353668X1	8	Bolt Unc	
39	353441X1	8	Lock Washer	
41	735997M1	1	Bracket	
42	3637721M1	3	Screw	
43	339374X1	1	Lock Washer	
44	739447M91	1	Filler	Up to Serial or Engine Number
45		1	Filler	(44) Not serviced,order REF.44
46	734962M91	1	Cap	(44)
47		1	Cap	(46) Not serviced,order REF.46
48	1881644M1	1	Joint.	(46)
49	4222913M1	1	Gasket	Up to Serial or Engine Number
50	1476318X1	2	Screw	Up to Serial or Engine Number
51	339374X1	2	Lock Washer	Up to Serial or Engine Number
52	734172M1	1	Plate	
53	4222914M1	1	Gasket	
54	376044X1	2	Bolt	
55	354123X1	2	Nut	
56	353434X1	2	Lock Washer	
57	4223811M91	1	Lub.Oil Filler	From Serial or Engine Number
58	3641820M1	1	O Ring	(57)
59	3641889M1	1	Cap	(57)
60	3641231M1	1	O Ring	(59)
61	3639274M1	2	Screw	From Serial or Engine Number

FOOTNOTE [A] USED ONLY WITH 3638646M1

FOOTNOTE [B] USED ONLY WITH 3638159M1

C-0587-09M-B





Download the full PDF manual instantly.

Our customer service e-mail:

aservicemanualpdf@yahoo.com