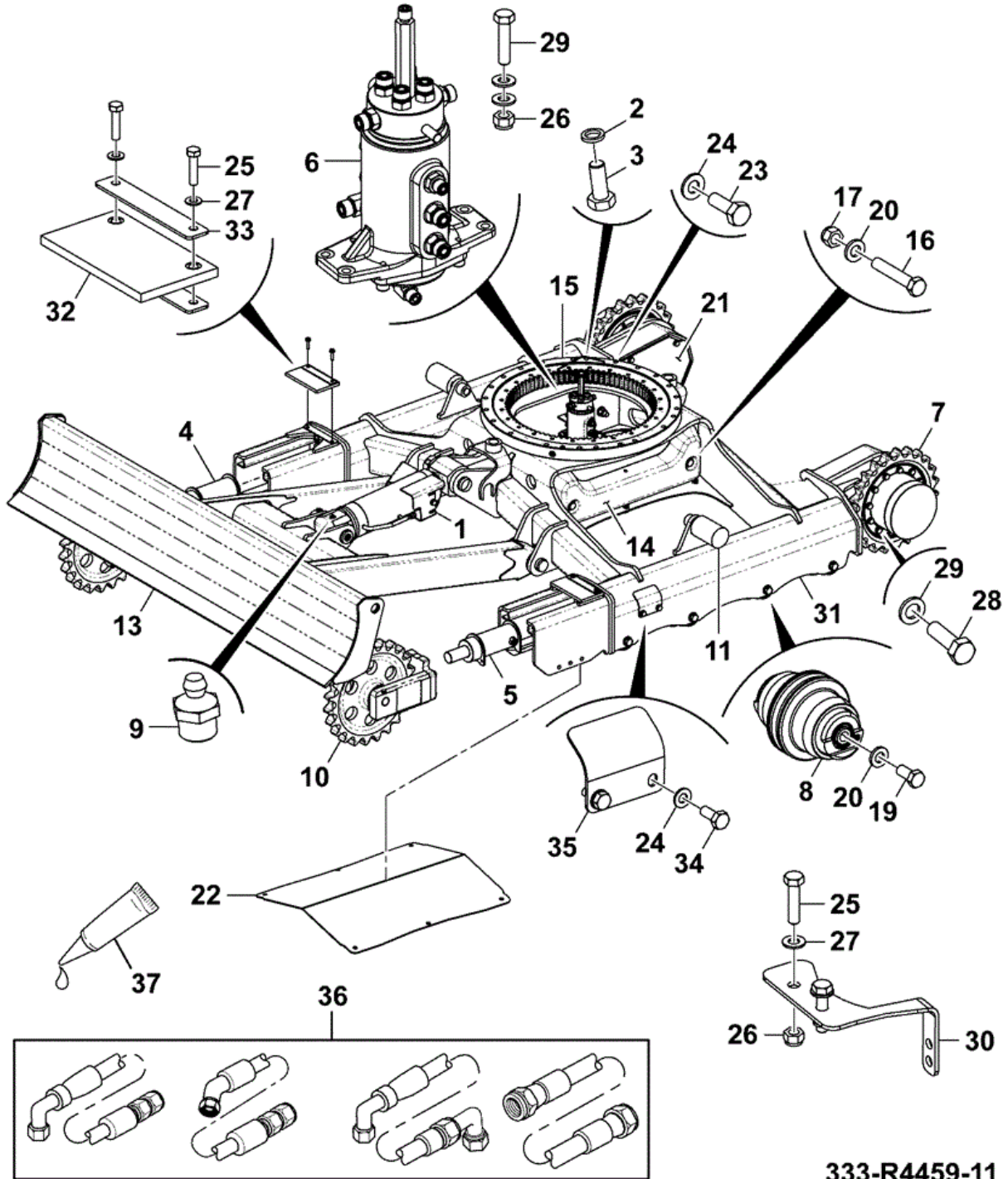


JCB 9822/0200 J100-1-8 UNDERCARRIAGE INSTALLATION
 ASSEMBLIES 8035ZTS



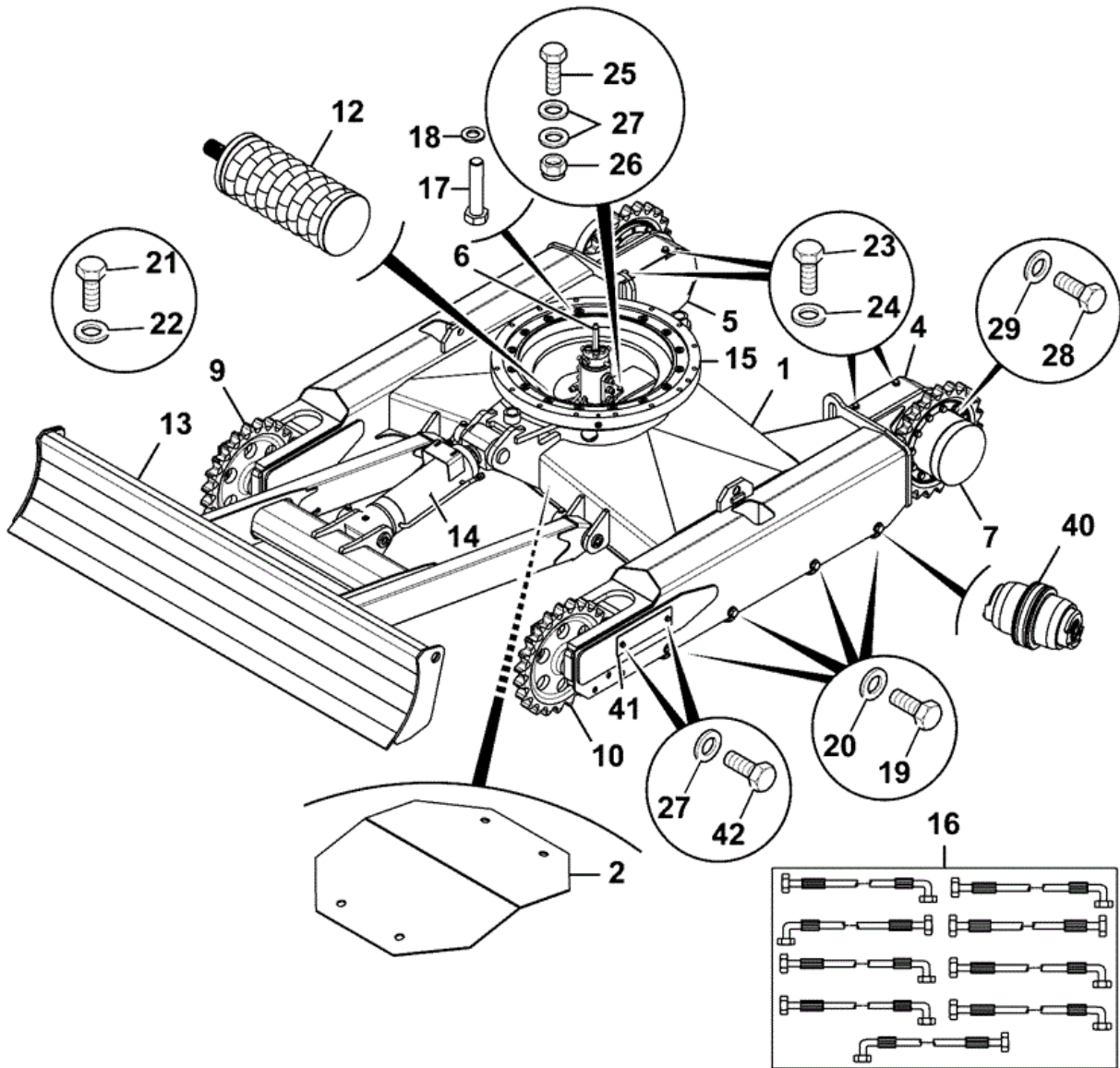
333-R4459-11

Item	Part #	Change No	Description	Usage Code	QTY
1	****		Kit-mounting dozer		1

2	1422/0010		Washer M14, hardened	24
3	1316/3609D		Bolt M14 x 35mm	24
4	333/S3949		Tensioner grease RH	1
5	333/S3642		Tensioner grease LH	1
6	****		Rotary joint Assembly	1
7	****		Motor Track, Assembly	2
8	333/T5808		Roller track	64
9	1450/0001		Nipple Grease, Straight 1/8 BSP	1
10	****		Idler assembly	2
11	332/S4308		Roller Top	2
13	332/L7014		Dozer Long	1
14	333/T9088		Weight low ballast	2
15	821/10422		Ring Slew	1
16	1315/3719D		Bolt M16x90	4
17	1370/0603D		Nut -Lock Nut, M16	4
19	1315/3709D		Bolt M16x35	16
20	JHP0043		Washer M16	24
21	333/T0723		Cover motor	2
22	333/T8773		Cover turret	1
23	1315/0408D		Setscrew M10 x 30	8
24	1420/0008D		Washer (M10)	18
25	1315/0309D		Setscrew M8 x 35 mm	8
26	1370/0203D		Nut Lock M8	4
27	1420/0007D		Washer (M8)	16
28	1315/0510D		Setscrew M12 x 40mm	26
29	823/00309		Washer hardened (13mm x 23mm x 2.7mm)	19
30	333/P2426		Bracket	1
31	333/U2650		Track -frame	1
32	333/U4181		Guard Spoil	2
33	333/U4216		Clamp Plate	4
34	1315/0407D		Setscrew M10 x 25	10
35	333/S0763		Plate cover	2
36	333/U6231		Kit-hose	1
37	4101/1100		Loctite 243	0



9822/0200 J100-2-11 UNDERCARRIAGE INSTALLATION ASSEMBLIES 8035ZTS

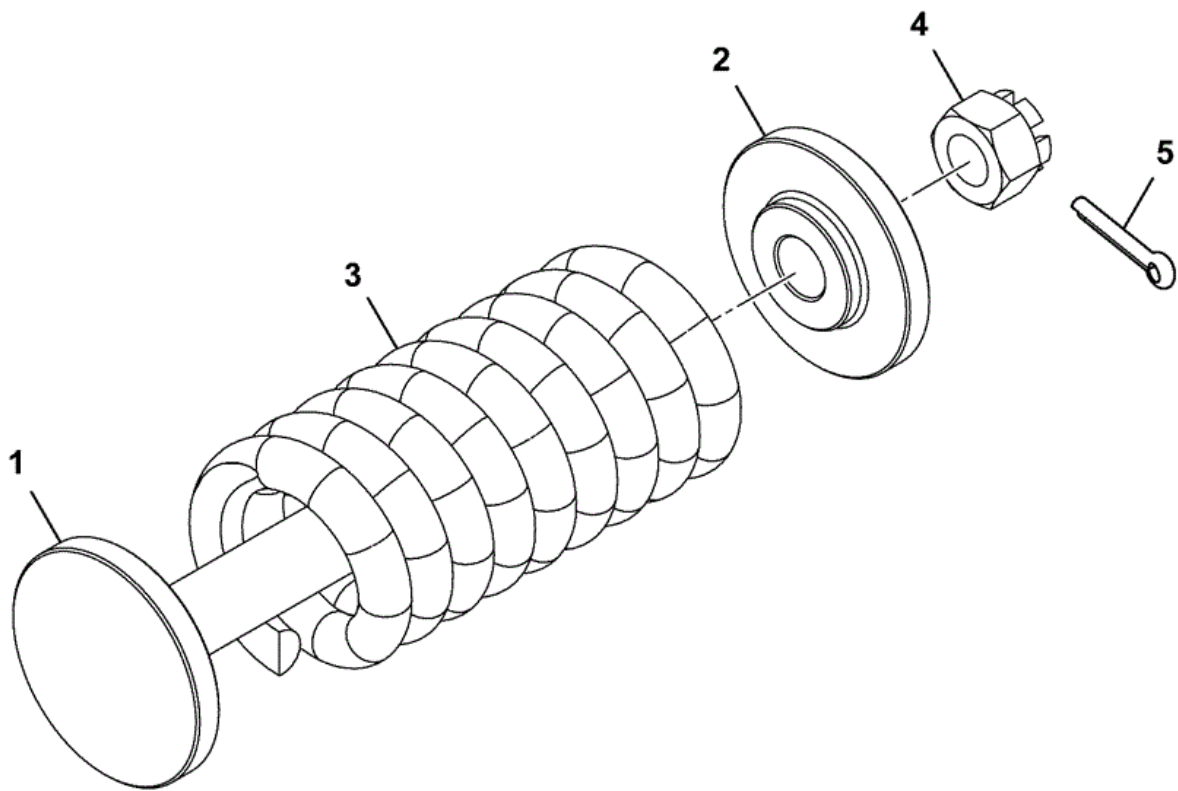


238-11606-11

Item	Part #	Change No	Description	Usage Code	QTY
1	335/12567		Frame Track		1

2	331/19342		Plate	1
4	335/02434		Plate motor cover Left	1
5	335/02436		Plate motor cover Right	1
6	****		Rotary joint Assembly	1
7	****		Motor Track, Assembly	2
9	238/00109		Wheel idler/tensioner Assembly	1
10	****		Wheel idler/tensioner Assembly (use component parts)	1
12	232/21600		Unit recoil assembly 2216kgf	2
13	335/10175		Blade Dozer	1
14	238/00033		Kit Dozer Mount	1
15	821/10422		Ring Slew	1
16	238/11310		Kit-hose Undercarriage	1
17	1316/3611D		Bolt M14 x 45mm	22
18	823/00540		Washer special	22
19	1315/3709D		Bolt M16x35	16
20	JHP0043		Washer M16	16
21	1315/0505D		Screw M12 x 20mm long	6
22	1420/0009D		Washer (M12)	6
23	1315/0405D		Setscrew M10 x 20	8
24	1420/0008D		Washer (M10)	8
25	1315/0309D		Setscrew M8 x 35 mm	4
26	1370/0203D		Nut Lock M8	4
27	1420/0007D		Washer (M8)	8
28	1315/0509D		Screw M12x35mm	26
29	823/00309		Washer hardened (13mm x 23mm x 2.7mm)	26
30	332/S4308		Roller Top	2
40	332/W3498		Roller Track Assembly	8
41	331/58807		Cover Tensioner	2
42	1315/0301D		Setscrew M8 x 12mm	4

JCB 9822/0200 J130-1-3 RECOIL UNIT



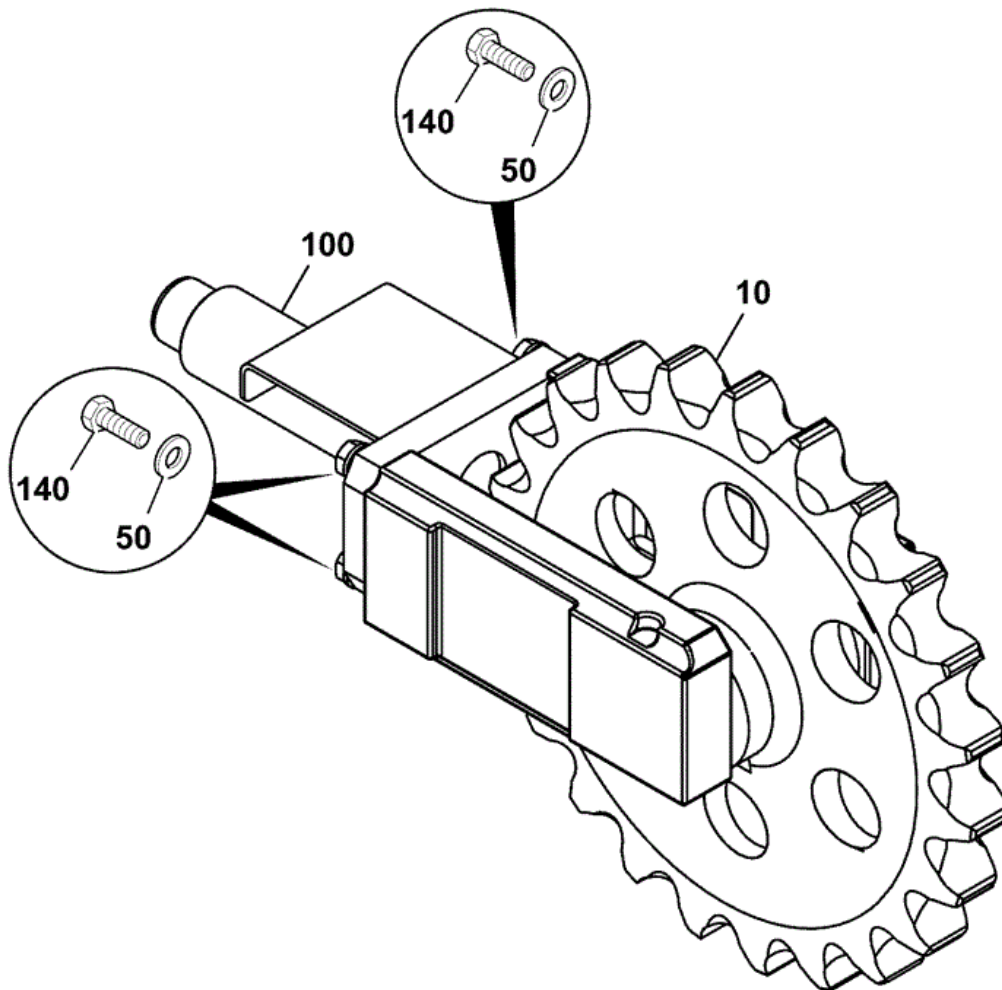
232-21600-3

Item	Part #	Change No	Description	Usage Code	QTY
1	232/21900		Shaft spring support		1
2	232/21601		Cap end		1
3	232/21602		Spring recoil		1

4	826/01252		Nut castle	1
5	2103/1112Z		Pin cotter	1



9822/0200 J140-1-4 IDLER ASSEMBLY RIGHT SIDE



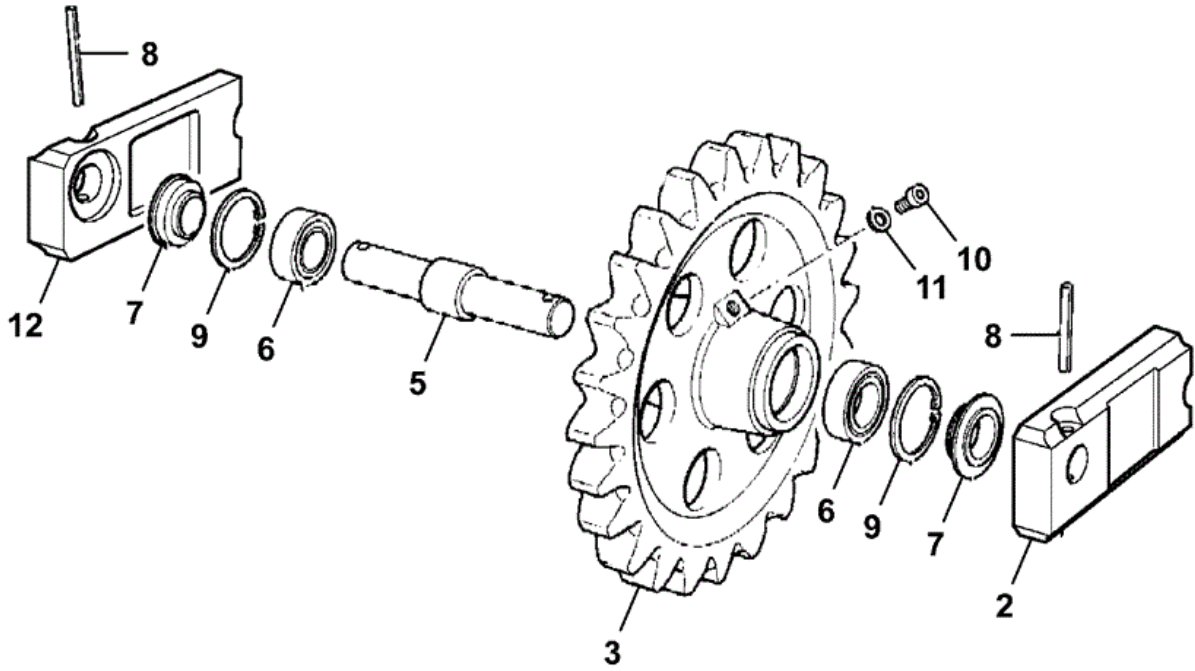
238-00111-4

Item	Part #	Change No	Description	Usage Code	QTY
10	****		Idler Undercarriage Assembly		1
50	823/00309		Washer hardened (13mm x 23mm x 2.7mm)		1
100	903/21349		Adjuster grease tensioner right hand		1

140	1315/3512D		Bolt M12 x 50mm long		1
-----	------------	--	----------------------	--	---



9822/0200 J140-5-1 IDLER ASSEMBLY



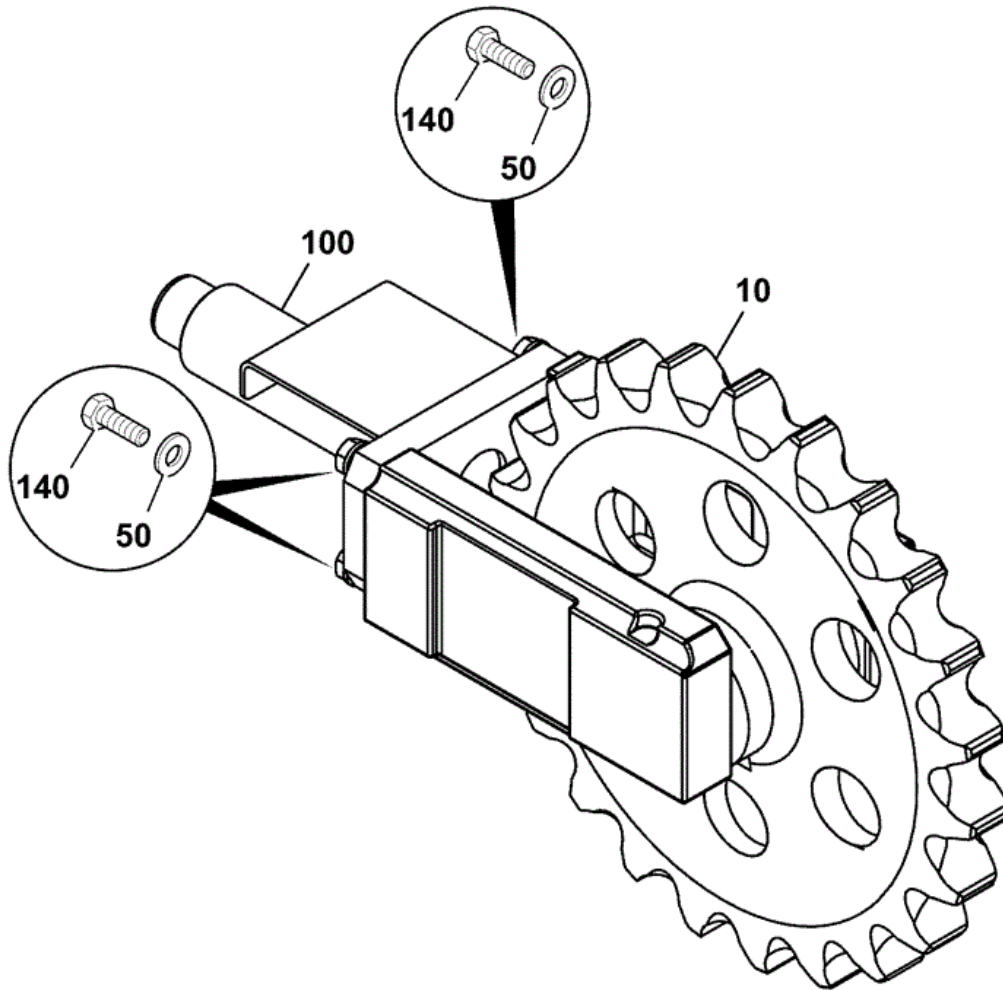
238-00110-1

Item	Part #	Change No	Description	Usage Code	QTY
2	335/90002		Bracket idler support		1
3	233/26603		Sprocket idler		1
5	232/26403		Shaft idler		1

6	916/05500		Bearing		2
7	813/00385		Seal lip		2
8	826/01251		Pin tension		2
9	2203/1068		Circlip Internal		2
10	1391/3401Z		Capscrew		1
11	1406/0008		Seal Washer		1
12	335/90003		Bracket Idler support		1



9822/0200 J140-10-4 IDLER ASSEMBLY LEFT SIDE



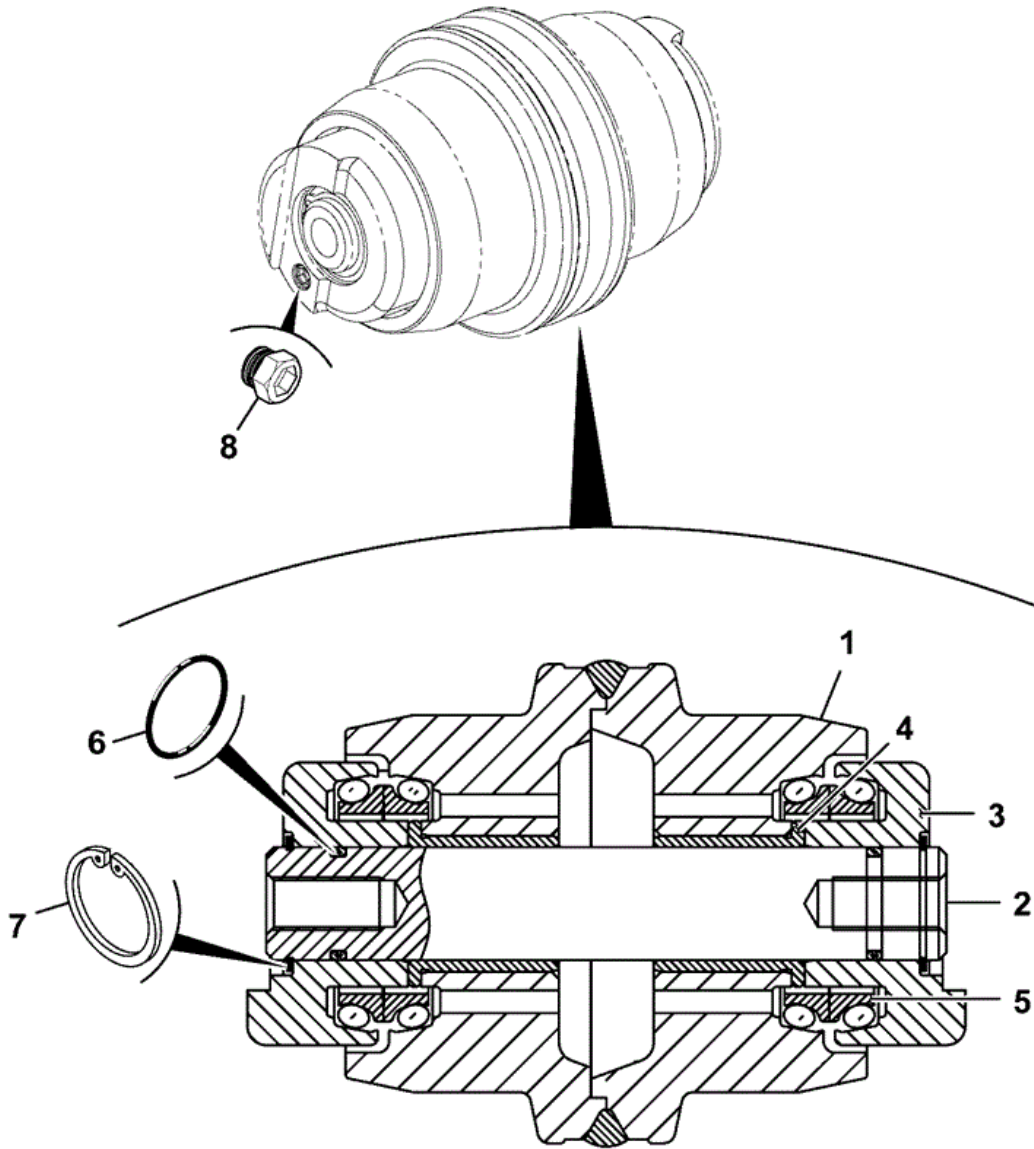
238-00111-4

Item	Part #	Change No	Description	Usage Code	QTY
10	****		Idler Undercarriage Assembly		1
50	823/00309		Washer hardened (13mm x 23mm x 2.7mm)		1
100	903/21348		Adjuster grease tensioner left hand		1

140	1315/3512D		Bolt M12 x 50mm long		1
-----	------------	--	----------------------	--	---



9822/0200 J150-1-1 TRACK ROLLERS ASSEMBLY

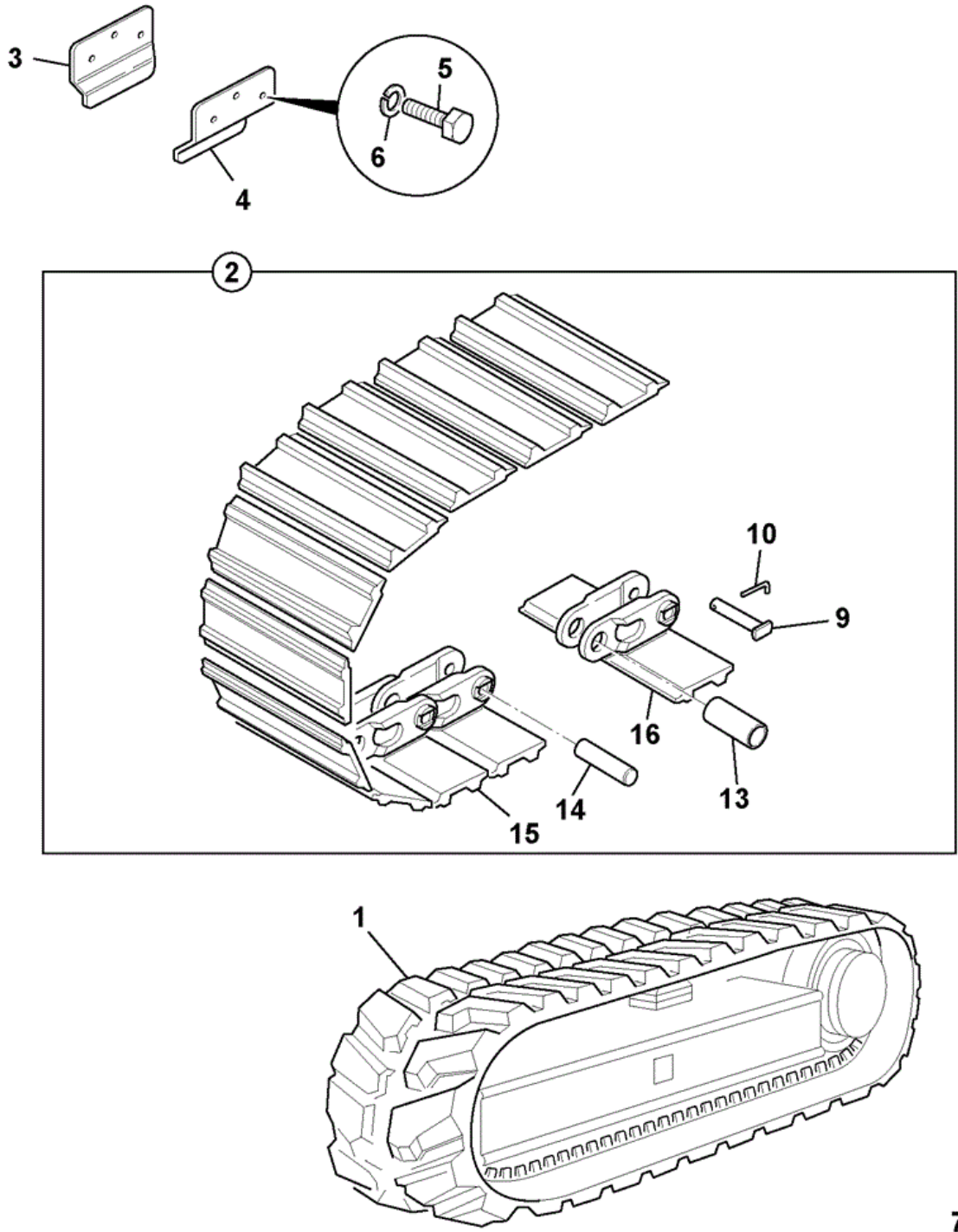


332-W3498-1

Item	Part #	Change No	Description	Usage Code	QTY
A	332/W3498		Roller Track Assembly		1
1	:332/L0491		Shell Roller		1
2	:332/L0492		Shaft		1

3	:332/L0493		Collar		2
4	:332/L0494		Bush		2
5	:332/L0495		Seal		2
6	:332/L0496		Kit-seal O-ring + Seal		2
7	:332/L0497		Ring Snap		2
8	:332/L0498		Plug Bolt		1

JCB 9822/0200 J160-5-4 TRACK CHAIN STEEL 8030ZTS,
 COMPONENTS



705780

Item	Part #	Change No	Description	Usage Code	QTY
1	232/35100		Track assembly, rubber		2



Download the full PDF manual instantly.

Our customer service e-mail:

aservicemanualpdf@yahoo.com