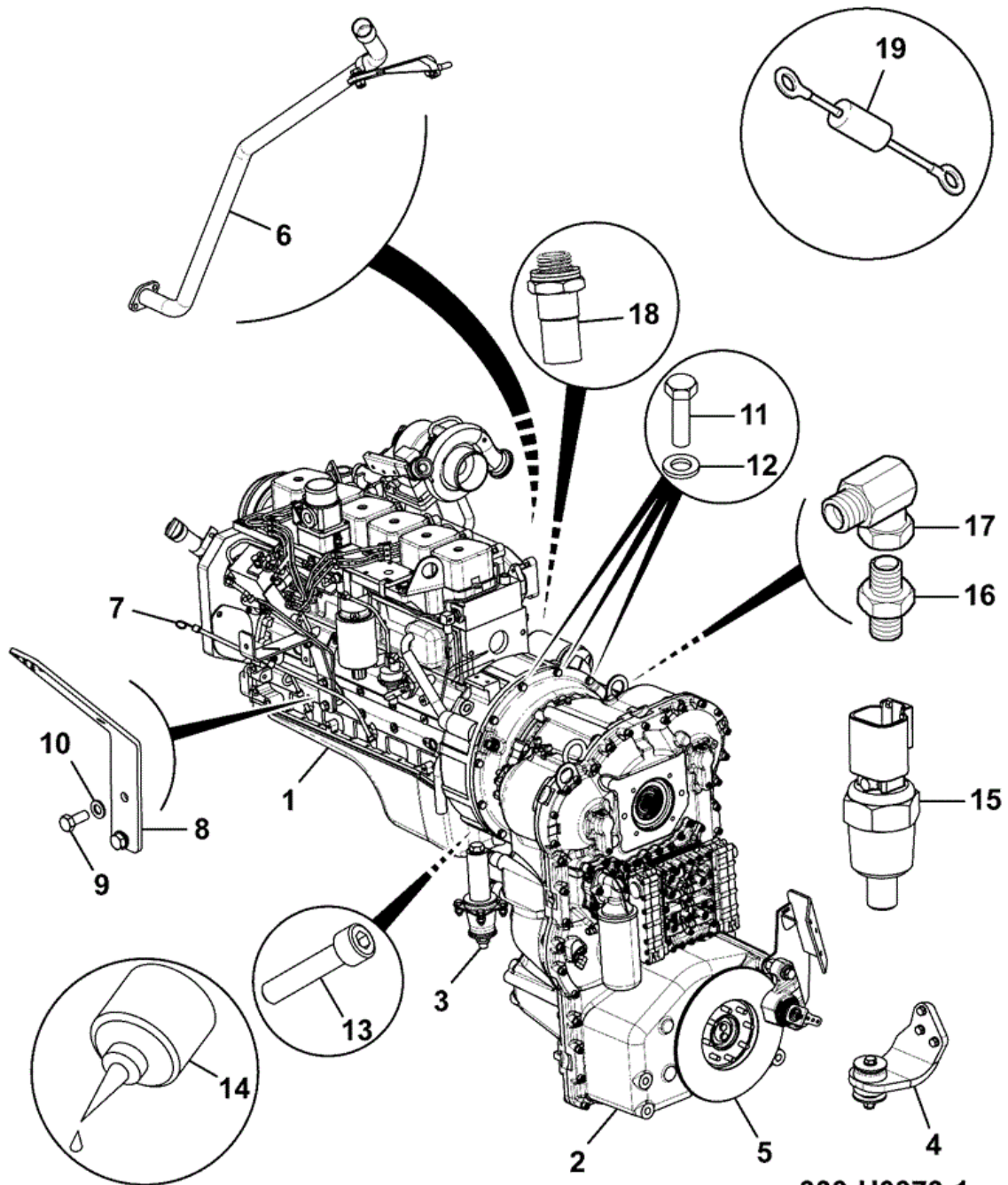




9802/2740 F5-0-1 TRANSMISSION ENGINE ASSEMBLIES



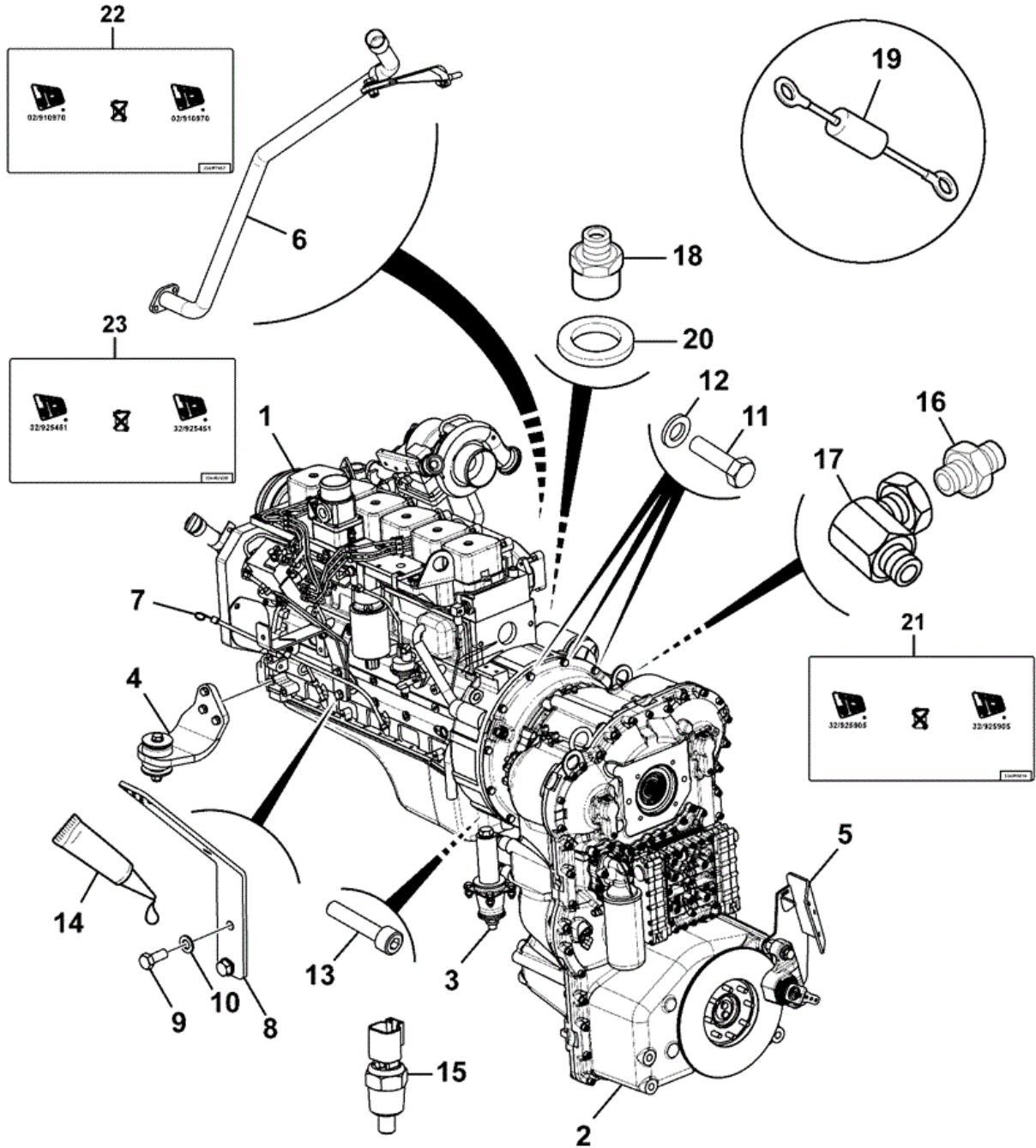
333-U0373-1

Item	Part #	Change No	Description	Usage Code	QTY
1	332/W5610		Engine complete 150 BHP QSB5.9 tier 2		1
2	332/S4521		Transmission assembly 4WG160		1

3	****		Assembly transmission mountings	1
4	****		Assembly engine mountings	1
5	****		Assembly parkbrake	1
6	****		Assembly transmission dipstick	1
7	****		Assembly engine dipstick	1
8	331/36840		Bracket throttle cable	1
9	1315/0508D		Setscrew M12 x 30 mm	2
10	1420/0009D		Washer (M12)	2
11	1315/0408D		Setscrew M10 x 30 <i>Item 1 to 2</i>	12
12	1422/0008D		Washer Hardened (M10)	12
13	1391/3409D		Capscrew M10x35mm <i>Flywheel to convertor</i>	4
14	4101/0600		Sealant	0
15	716/30128		Sender Temperature (1/2" x 14 NPTF)	1
16	1620/2061		Adaptor M/M <i>Transmission cooler hose</i>	2
17	816/00018		Adapter 90 Degree <i>Transmission cooler hose</i>	2
18	816/27034		Adapter M18	1
19	332/T4454		Diode lead <i>Fit to grid heater relay</i>	1



9802/2740 F5-0-2 TRANSMISSION ENGINE ASSEMBLIES



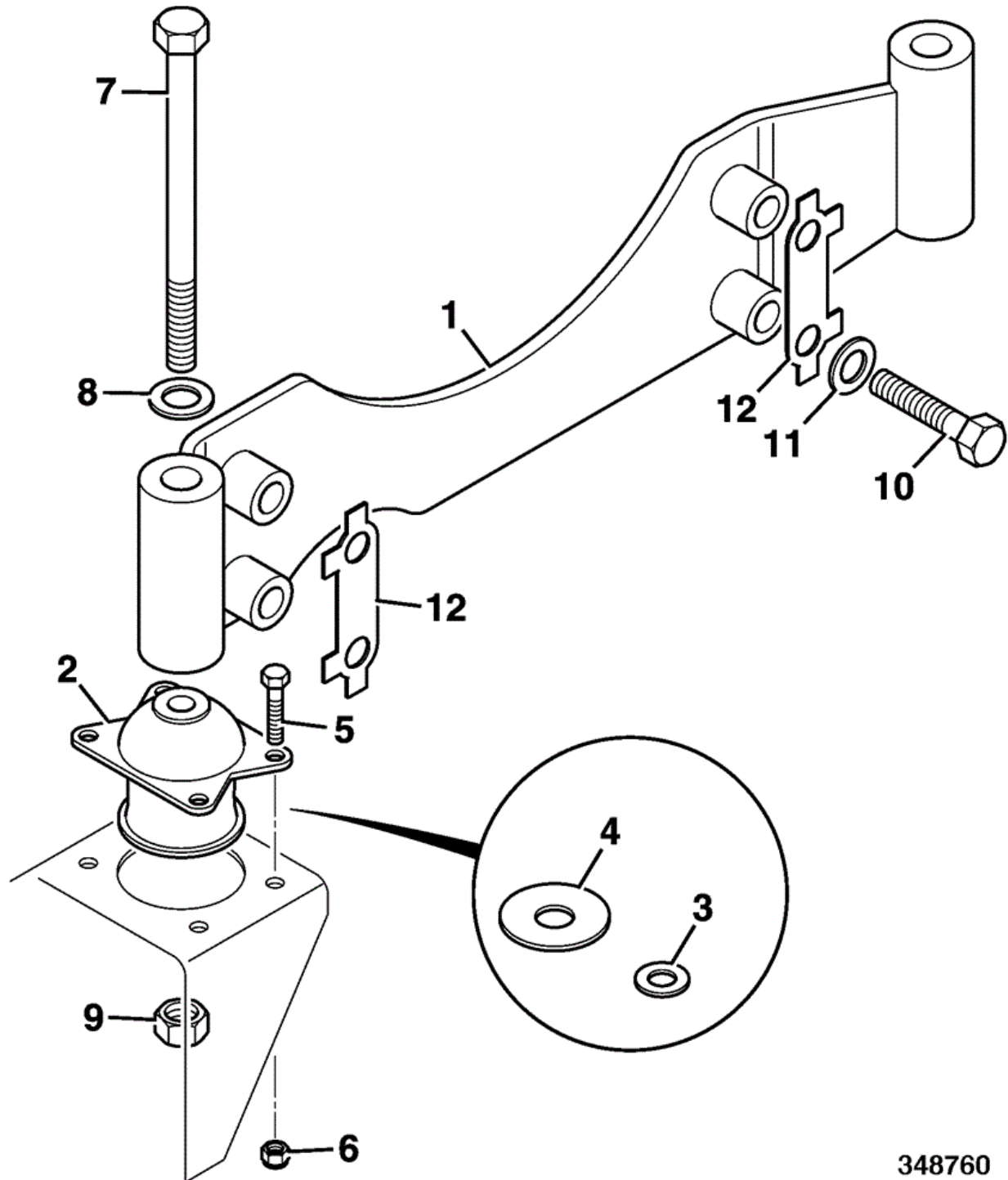
333-U0339-5

Item	Part #	Change No	Description	Usage Code	QTY
1	333/T2207		Engine complete 5.9L 150BHP		1
2	333/T4207		Transmission assembly 4WG160		1

3	****		Assembly transmission mountings	1
4	****		Assembly engine mountings	1
5	****		Assembly parkbrake	1
6	****		Assembly transmission dipstick	1
7	****		Assembly engine dipstick	1
8	331/36840		Bracket throttle cable	1
9	1315/0508D		Setscrew M12 x 30 mm	2
10	1420/0009D		Washer (M12)	2
11	1315/0408D		Setscrew M10 x 30	12
12	1422/0008D		Washer Hardened (M10)	12
13	1391/3409D		Capscrew M10x35mm <i>Flywheel to torque converter</i>	4
14	4101/0600		Sealant	0
15	716/30128		Sender Temperature (1/2" x 14 NPTF)	1
16	1620/2061		Adaptor M/M <i>Transmission cooler hoses</i>	2
17	816/90452		Adaptor Elbow <i>Transmission cooler hoses</i>	2
18	816/27034		Adapter M18	1
19	332/T4454		Diode lead <i>Fit to grid heater relay</i>	1
20	1406/0016		Seal bonded <i>Fit item 18</i>	1
21	334/R5819		Label transmission filter	1
22	334/R7452		Label engine oil	1
23	334/R7438		Label engine fuel filter	1



9802/2740 F5-1-1 TRANSMISSION MOUNTING



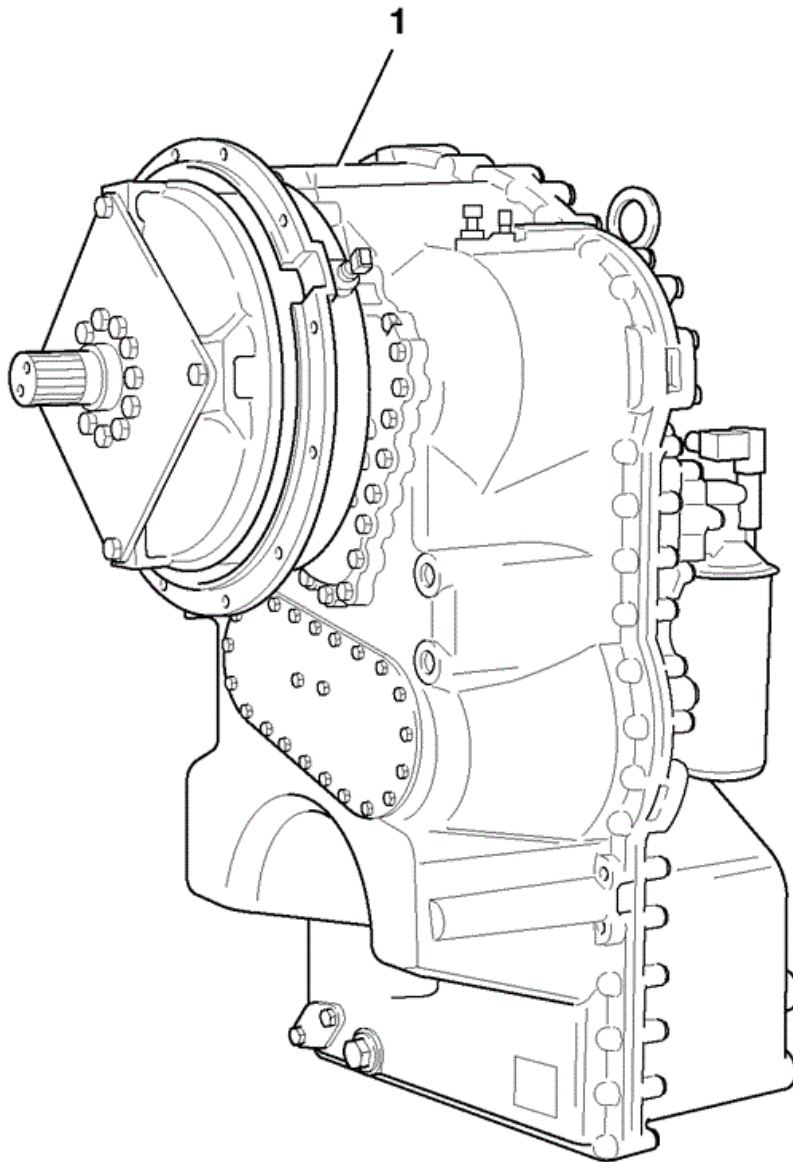
348760

Item	Part #	Change No	Description	Usage Code	QTY
1	335/01104		Bracket Transmission Mounting		1
2	265/01983		Pad Rubber Mounting		2

3	265/01984		Washer Rebound	2
4	265/01985		Washer Overload	2
5	1315/0408D		Setscrew M10 x 30	8
6	1370/0303D		Nut Self Lock M10	8
7	1315/3833D		Bolt	2
8	1420/0012D		Washer Plain M20	2
9	1370/0703D		Nut M20, 2.5 pitch	2
10	1316/3817D		Bolt	4
11	1422/0012D		Washer Hard	4
12	331/18683		Plate Locking	2
13	4101/0602		Fluid locking	1



9802/2740 F5-2-1 TRANSMISSION ASSEMBLY



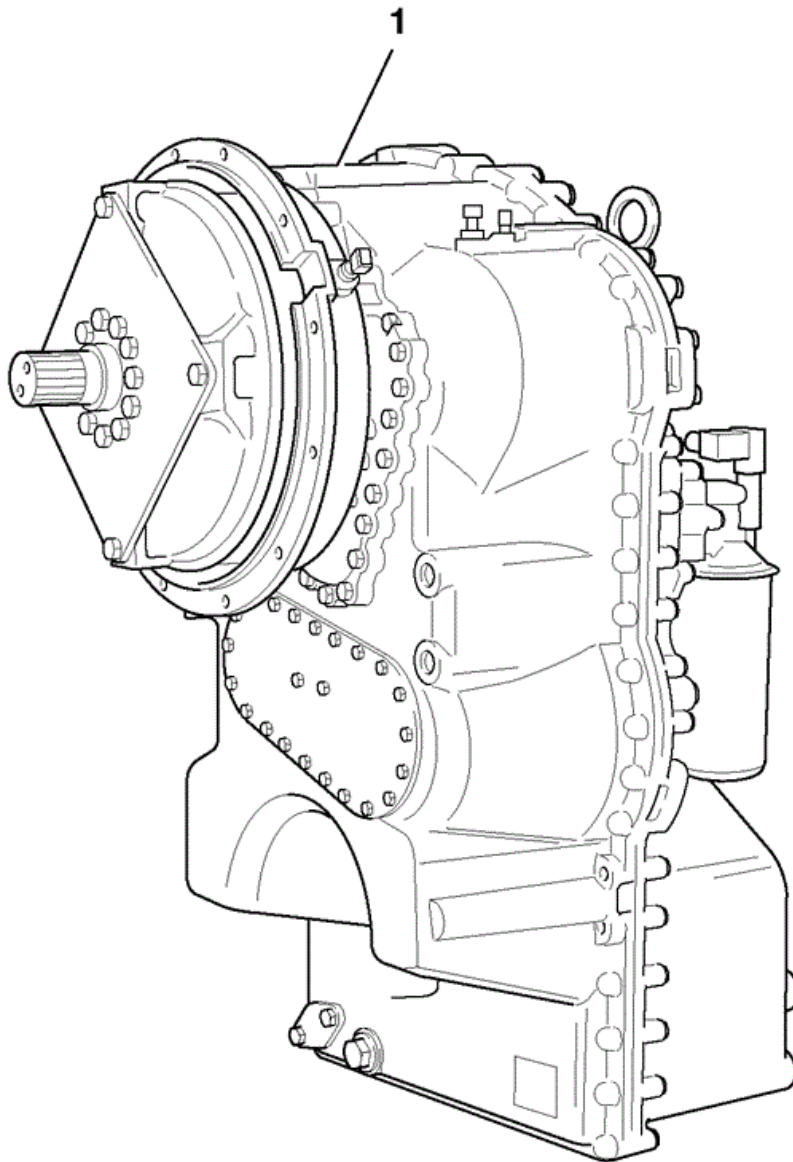
337220

Item	Part #	Change No	Description	Usage Code	QTY
1	04/600804	<NOV07	Transmission assembly 4WG160		1
1	332/S4521		Transmission assembly 4WG160		1
1	04/600776		Transmission 6 Speed <i>Sales special 7696,7938,8049 & 8549</i> <i>See Note 1</i>		1
2	1315/0408D		Setscrew M10 x 30 <i>Engine to transmission</i>		12
3	1422/0008D		Washer Hardened (M10) <i>For item 2</i>		12
4	1391/3409D		Capscrew M10x35mm <i>Flywheel to convertor</i>		4

Note 1: 04/600664 transmission + 04/600836 torque convertor

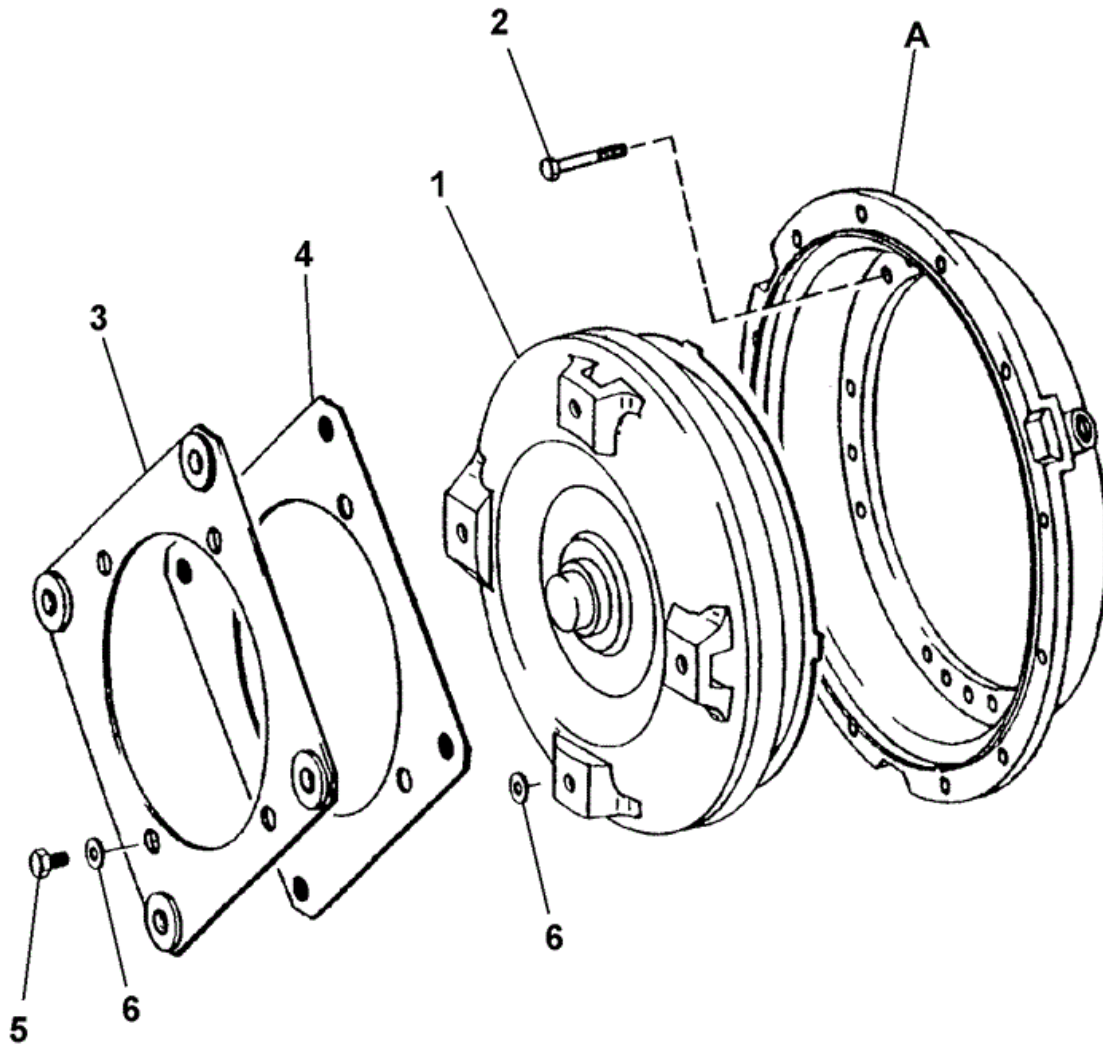


9802/2740 F5-2-2 TRANSMISSION ASSEMBLY



337220

Item	Part #	Change No	Description	Usage Code	QTY
1	333/T4207		Transmission assembly 4WG160 <i>ZF ref. 4656-054-137</i>		1
1	332/S5695		Transmission assembly 6WG160 6 speed <i>ZF ref. 4656-056-109</i>		1
1	333/T2196		Transmission assembly 6WG160 6 speed <i>ZF ref. 4656-056-144</i>		1
2	1315/0408D		Setscrew M10 x 30 <i>Engine to transmission</i>		12
3	1422/0008D		Washer Hardened (M10) <i>For item 2</i>		12
4	1391/3409D		Capscrew M10x35mm <i>Flywheel to convertor</i>		4

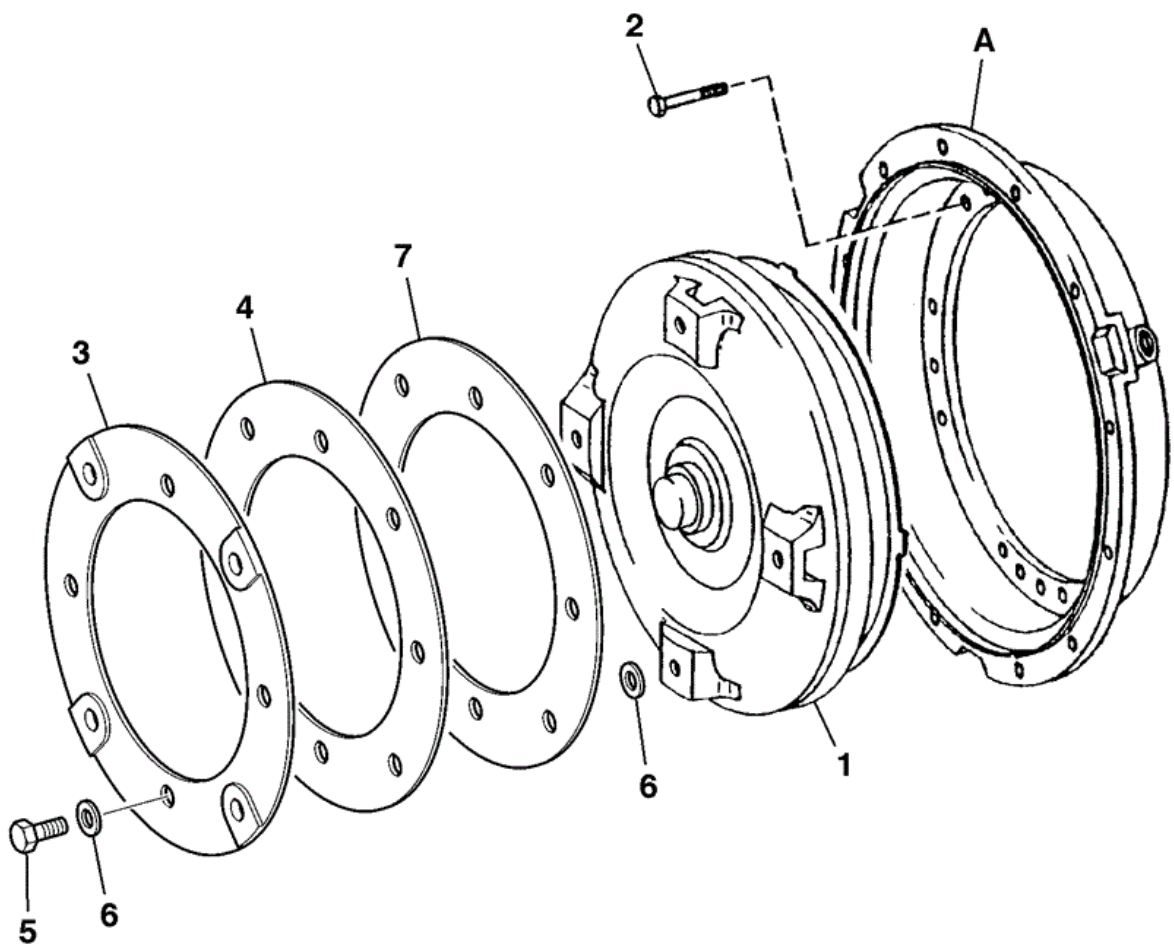


368560

Item	Part #	Change No	Description	Usage Code	QTY
A	331/17650		Housing convertor		1
1	04/600827	Superseded	Convertor		1
1	04/600836		Converter		1
2	04/600305		Bolt		18
3	331/42498		Diaphragm engine connect		1

4	04/600546		Diaphragm		1
5	826/10442		Bolt M12		4
6	04/600567		Washer		8

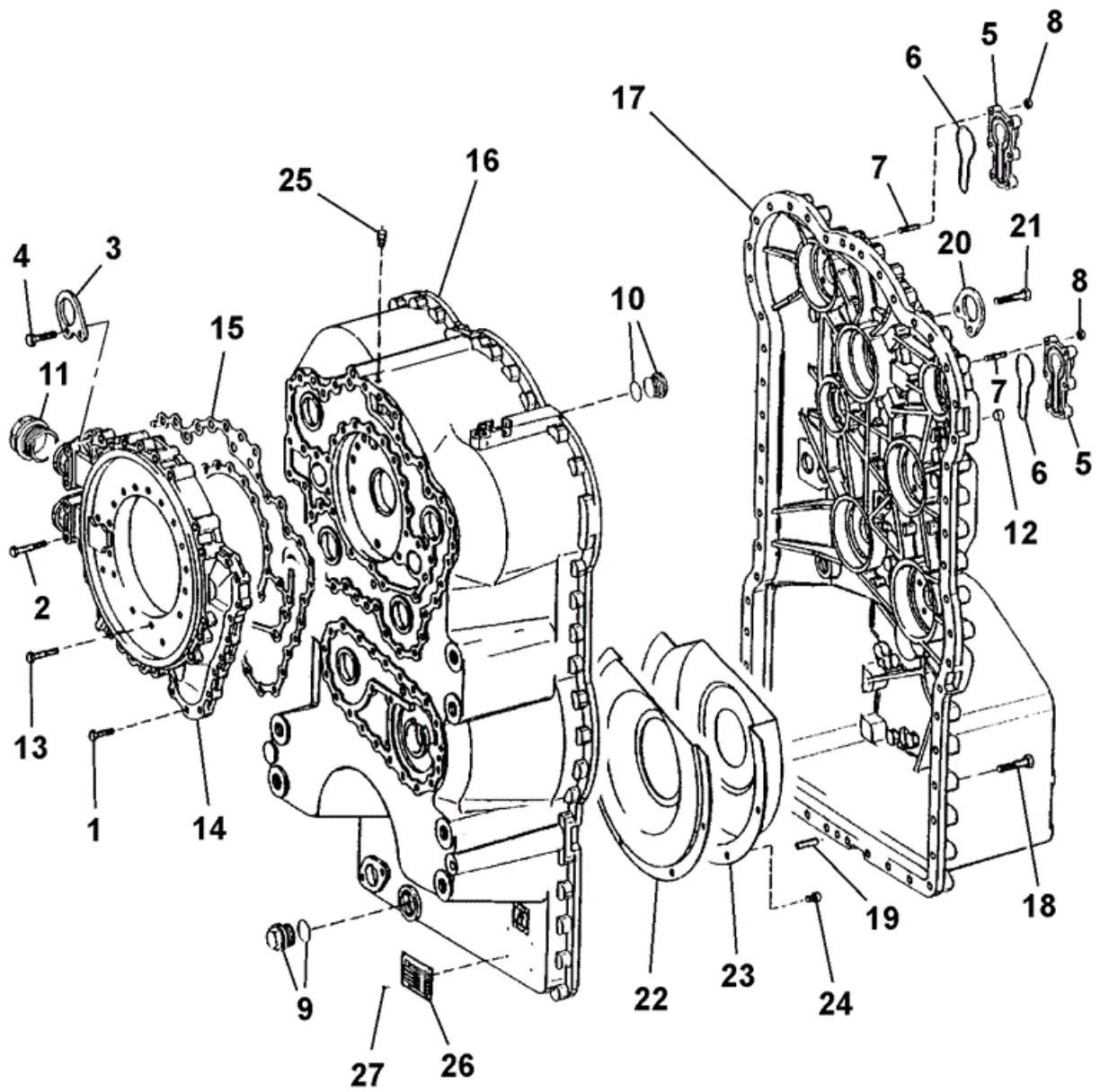
JCB 9802/2740 F5-3-2 TORQUE CONVERTER DRIVE PLATES
TRANSMISSION 332/S4521



368562

Item	Part #	Change No	Description	Usage Code	QTY
A	331/17650		Housing convertor		1

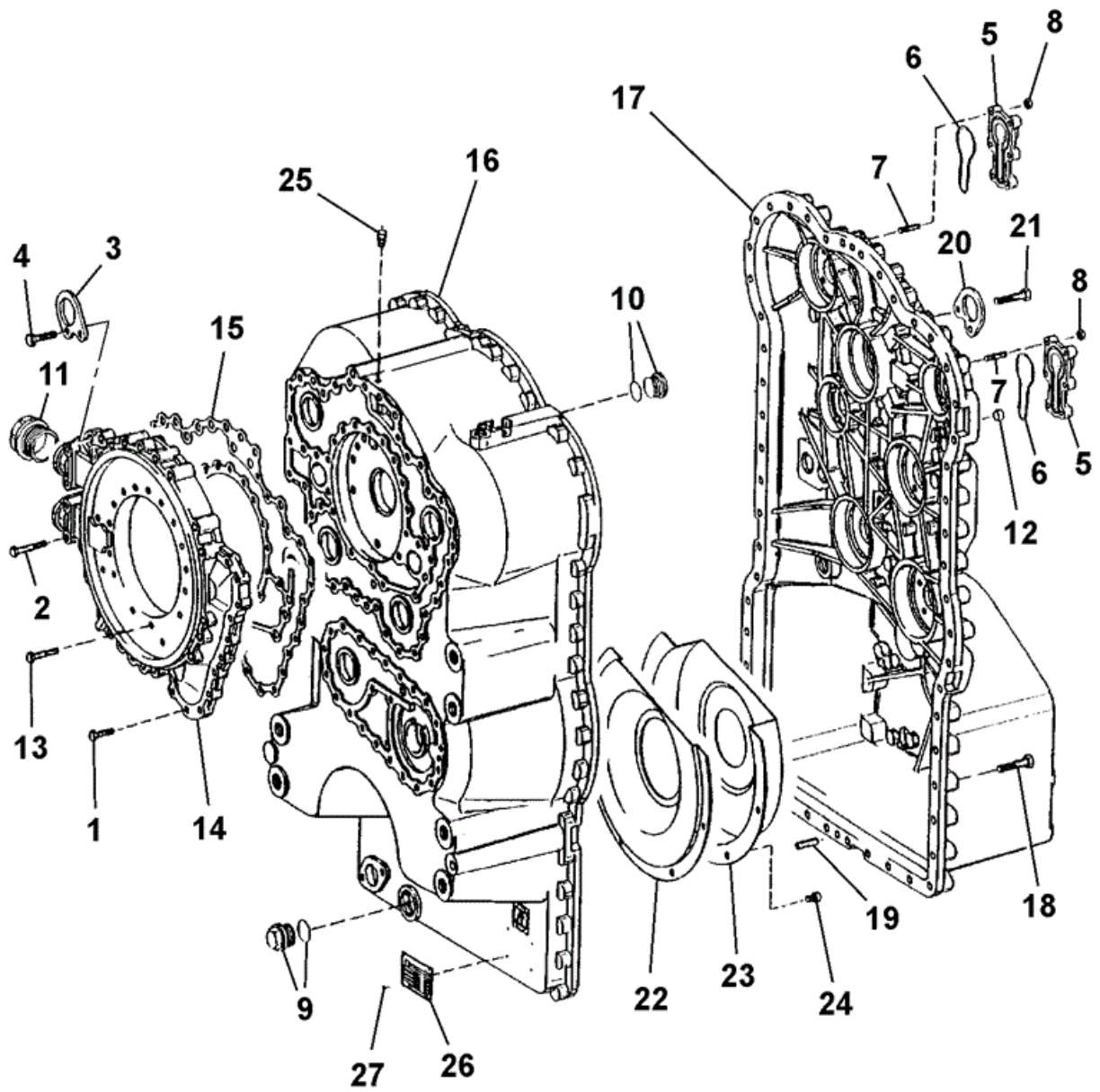
1	04/600836		Converter		1
2	04/600305		Bolt		18
3	332/C7395		Diaphragm		1
4	332/C7396		Diaphragm		1
5	826/10442		Bolt M12		4
6	332/C7387		Washer		8
7	332/D6918		Diaphragm		1



346630

Item	Part #	Change No	Description	Usage Code	QTY
1	826/10446		Screw cap		15
2	826/10447		Screw cap		4
3	331/16378		Plate fixing		1
4	04/600323		Screw		2
5	331/16389		Cover		2

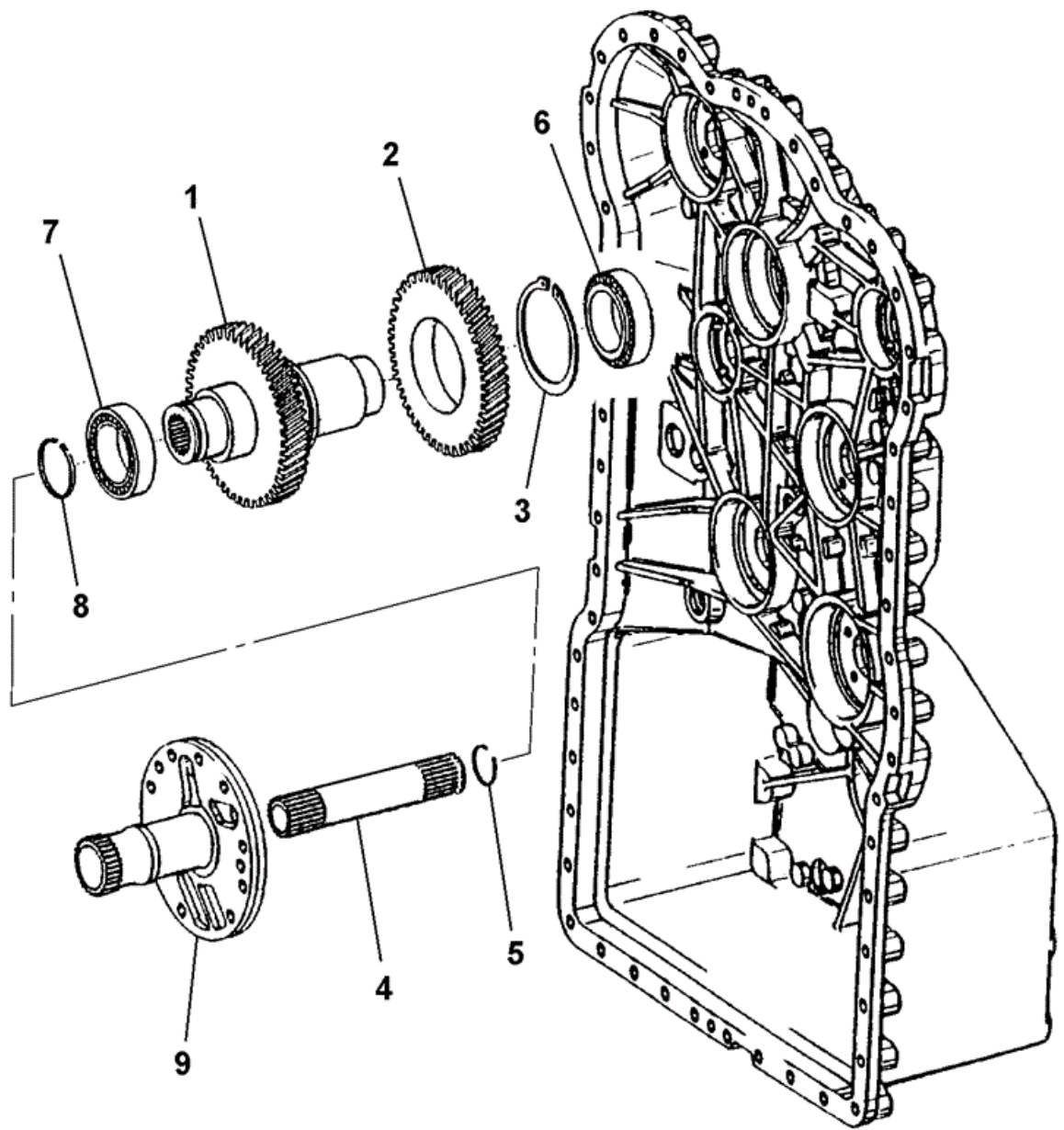
6	828/10173		O Ring	2
7	04/600550		Stud	12
8	04/600328		Nut	12
9	32/925198		Plug <i>Seal, 828/10175</i>	1
9A	828/10175		O Ring <i>Used with 32/925198</i>	1
10	32/925199		Plug	1
10A	:828/10175		O Ring	1
11	****		'See Remark' <i>Plug</i>	1
12	****		'See Remark' <i>Plug</i>	1
13	826/10445		Screw cap	21
14	331/16385		Housing oil feed	1
15	813/10126		Gasket housing	1
16	04/600830		Housing front	1
17	04/600831		Housing rear	1
18	04/600323		Screw	44
19	04/600322		Pin	2
20	331/16378		Plate fixing	1
21	04/600323		Screw	2
22	04/600431		Plate cover	1
23	04/600325		Plate cover	1
24	826/10450		Capscrew	4
25	04/800639		Breather	1



346630

Item	Part #	Change No	Description	Usage Code	QTY
1	826/10446		Screw cap		15
2	826/10447		Screw cap		4
3	331/16378		Plate fixing		1
4	04/600323		Screw		2
5	331/16389		Cover		2

6	828/10173		O Ring	2
7	04/600550		Stud	12
8	04/600328		Nut	12
9	32/925198		Plug	1
9A	:828/10175		O Ring	1
10	32/925199		Plug	1
10A	:828/10175		O Ring	1
11	****		'See Remark' <i>Plug</i>	1
12	****		'See Remark' <i>Plug</i>	1
13	826/10445		Screw cap	21
14	331/58791		Housing oil feed	1
15	813/10126		Gasket housing	1
16	332/D6921		Housing gearbox front	1
17	332/D6922		Housing rear	1
18	04/600323		Screw	44
19	04/600322		Pin	2
20	331/16378		Plate fixing	1
21	04/600323		Screw	2
22	04/600431		Plate cover	1
23	04/600325		Plate cover	1
24	826/10450		Capscrew	4
25	04/800639		Breather	1



346610

Item	Part #	Change No	Description	Usage Code	QTY
1	04/600317		Shaft Input		1
2	04/600626		Gear input		1
3	04/600320		Ring external retaining		1
4	914/60118		Shaft turbine		1
5	04/600318		Ring snap		1



Download the full PDF manual instantly.

Our customer service e-mail:

aservicemanualpdf@yahoo.com