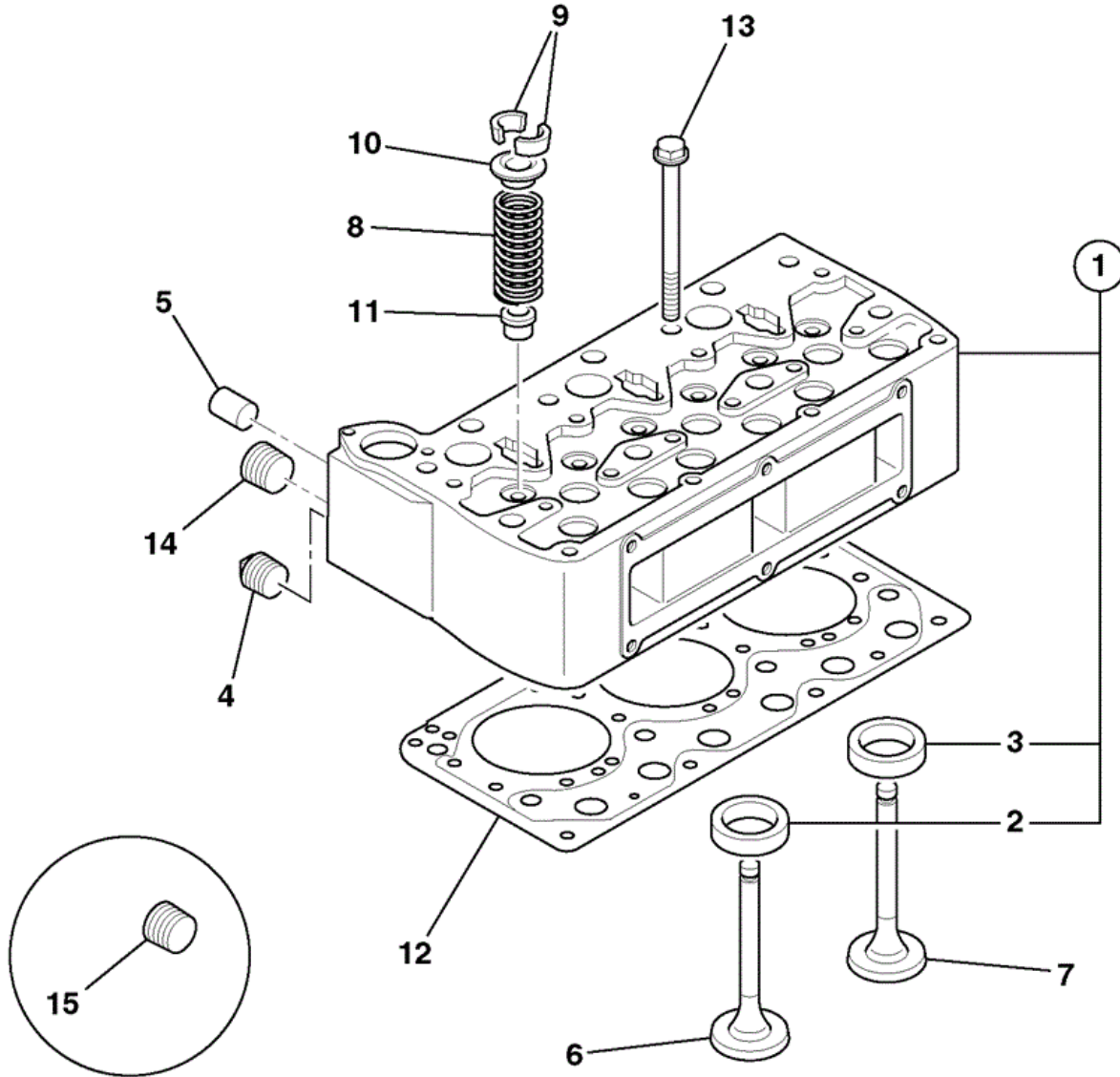




## 9812/3080 R2-1-1 CYLINDER HEAD ASSEMBLY



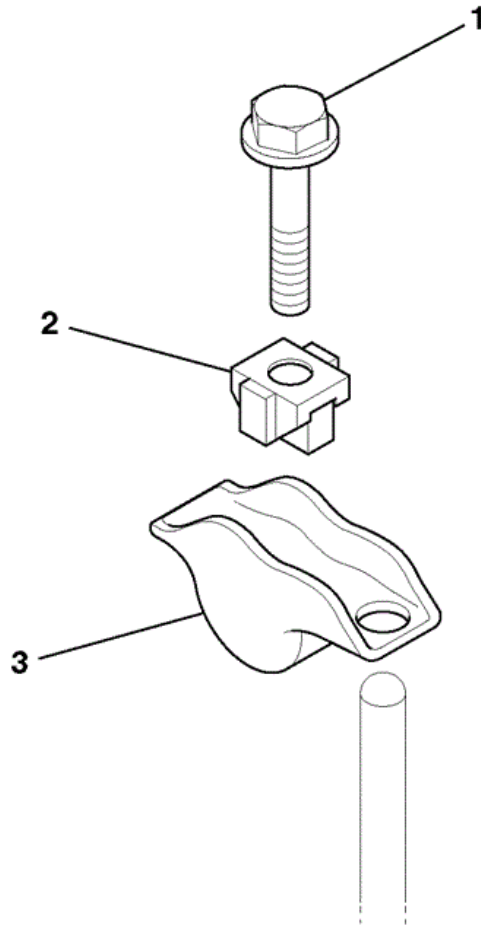
814110

Item	Part #	Change No	Description	Usage Code	QTY
1	02/940240		Head cylinder assembly		1
2	:N/A		Not applicable not available		3
3	:N/A		Not applicable not available		3

4	02/941003		Plug .	1
5	02/940019		Plug	2
6	02/940078		Valve exhaust	3
7	02/940079		Valve inlet	3
8	02/940238		Spring valve	6
9	02/940081		Collet	12
10	02/940082		Cap valve	6
11	02/940083		Seal valve stem	6
12	02/940239		Gasket cylinder head	1
13	02/940086		Bolt cylinder head	8
14	02/941020		Plug .	1
15	02/940259		Plug	1



## 9812/3080 R2-2-1 ROCKER ASSEMBLY

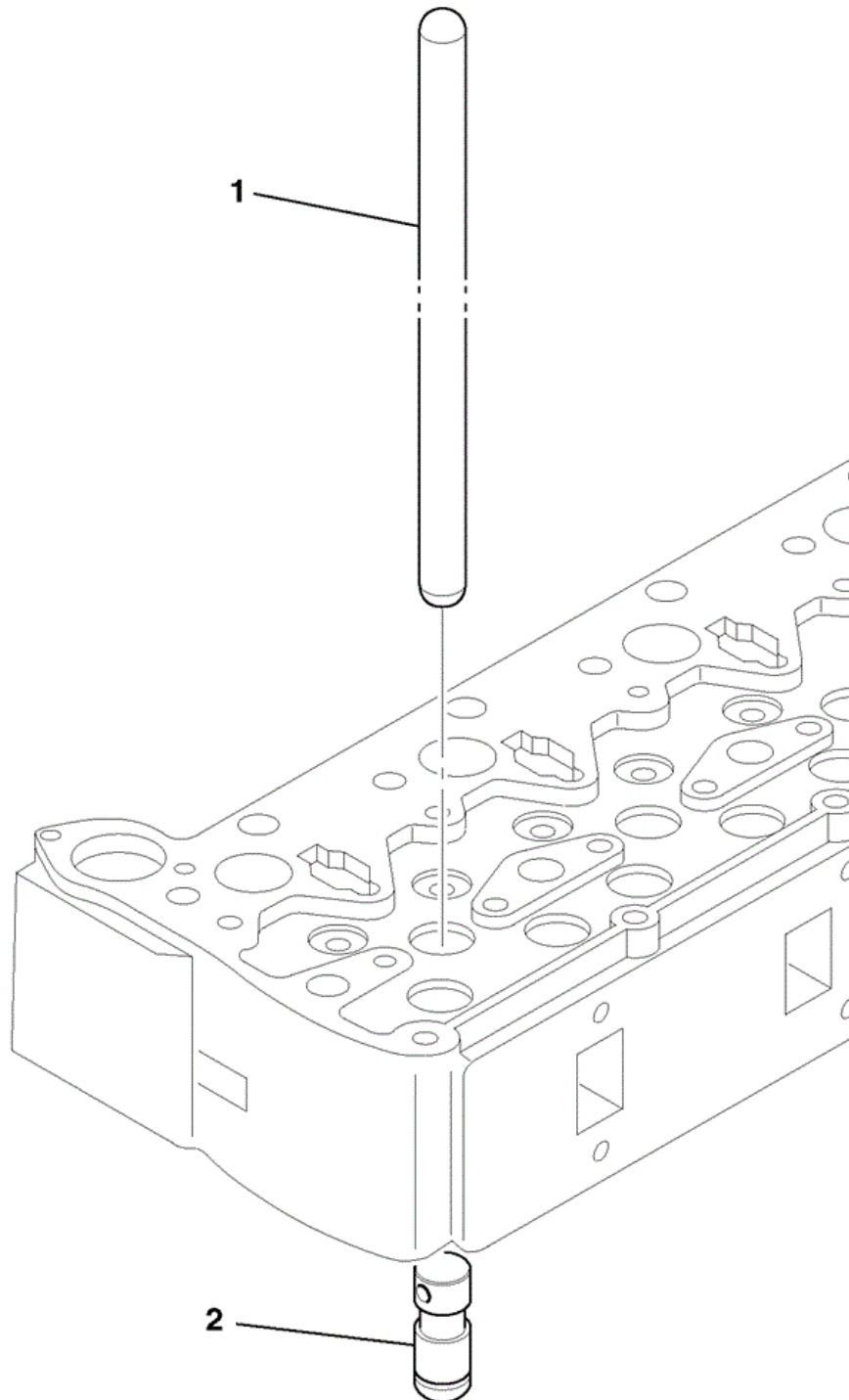


813470

Item	Part #	Change No	Description	Usage Code	QTY
1	02/940094		Screw flanged head		6
2	02/940093		Bearing rocker lever		6
3	02/941024		Arm Rocker		6



## 9812/3080 R2-2-2 TAPPET & PUSHROD

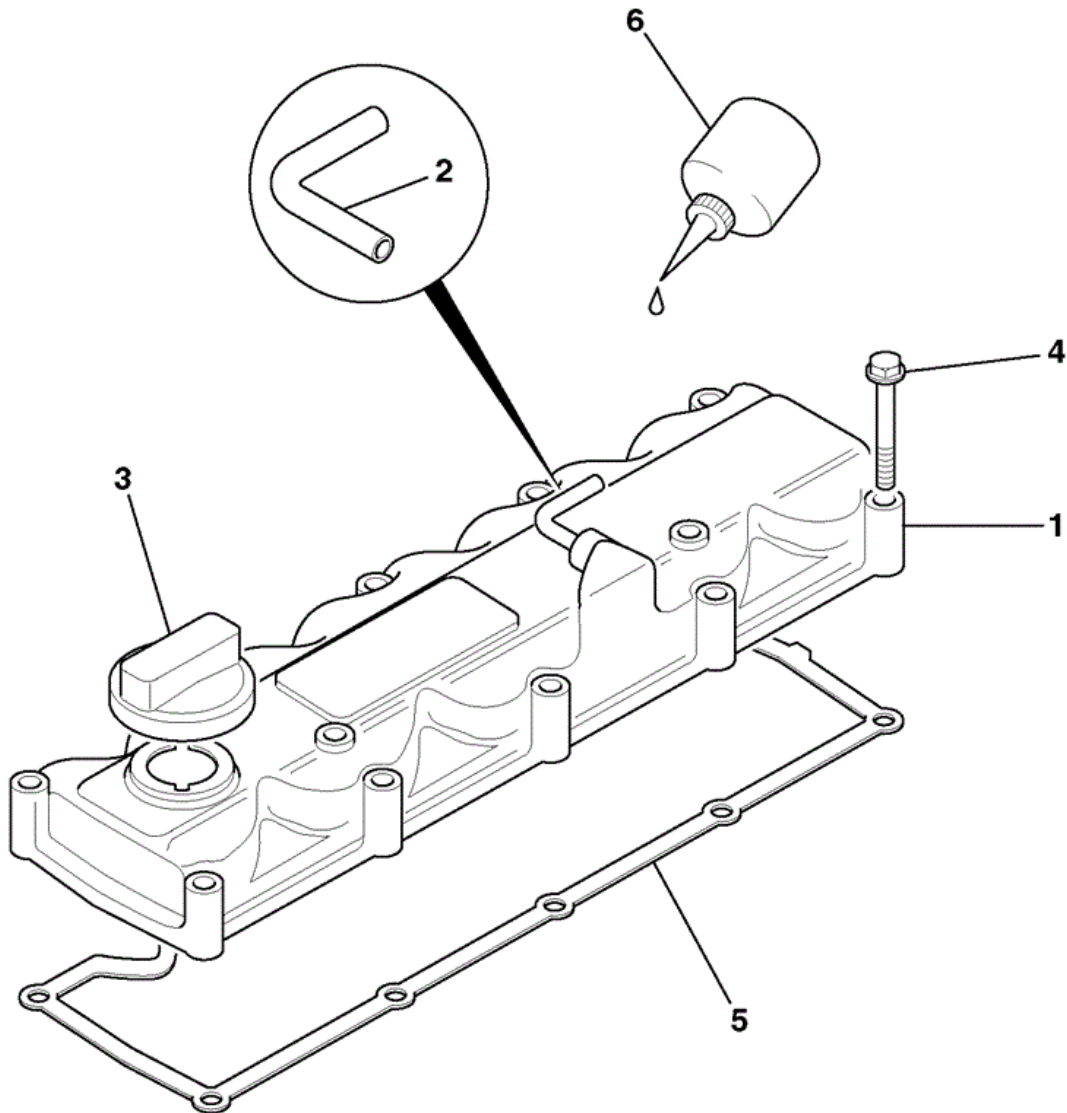


814140

Item	Part #	Change No	Description	Usage Code	QTY
1	02/940242		Rod push		6
2	02/940096		Tappet		6



## 9812/3080 R2-3-1 ROCKER COVER



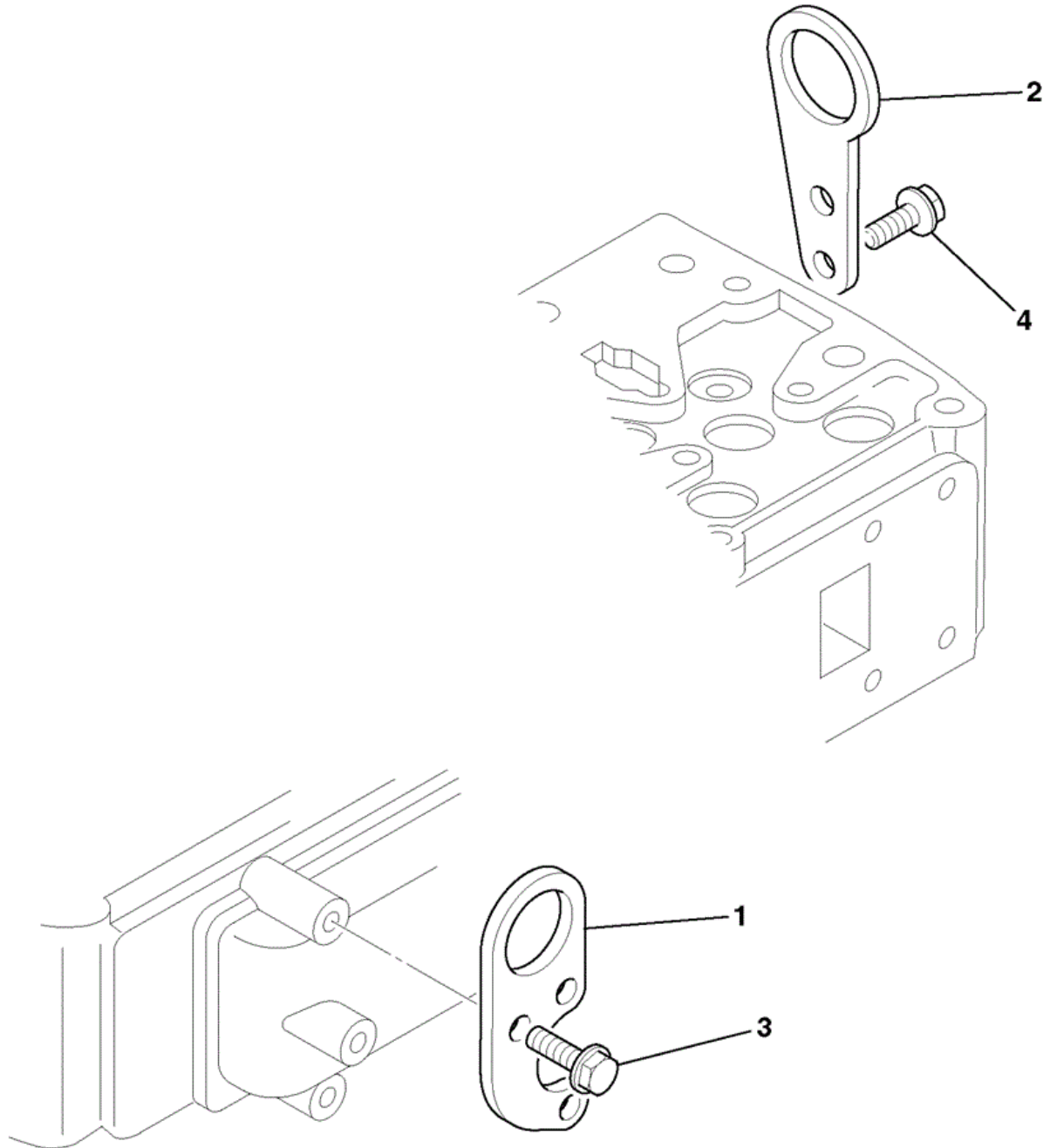
813450

Item	Part #	Change No	Description	Usage Code	QTY
1	02/941016		Cover Rockers		1
2	02/941015		Breather Pipe		1
3	02/940072		Cap filler		1

4	02/941013		Bolt .	10
5	02/940236		Gasket rocker cover <i>See R8-1-1</i>	1
6	02/940074		Loctite	0



## 9812/3080 R2-5-1 LIFTING BRACKETS



814010

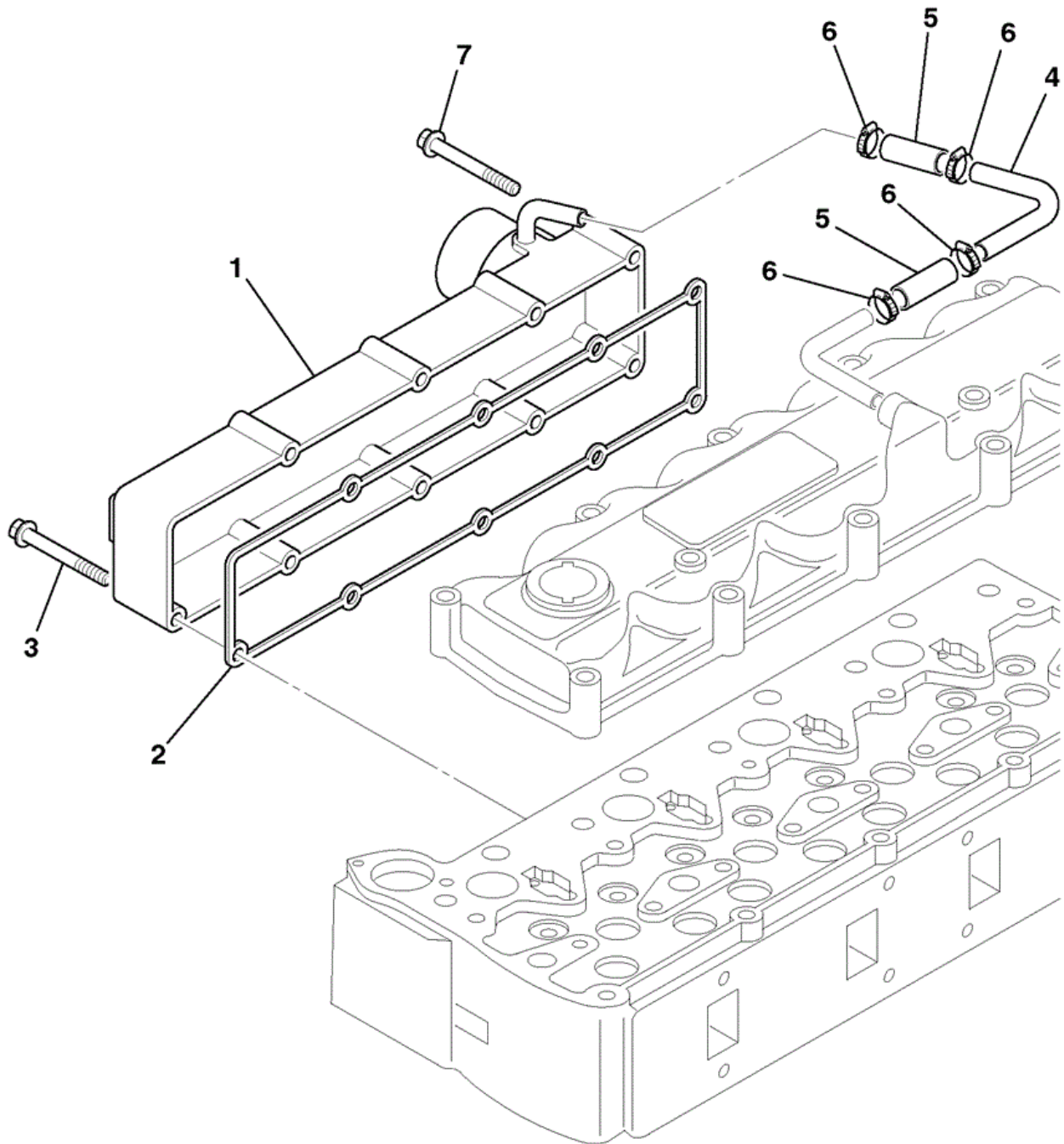
Item	Part #	Change No	Description	Usage Code	QTY
1	02/941021		Carrier Eye		1
2	02/941021		Carrier Eye		1
3	02/940227		Bolt		1

4	02/940227		Bolt		1
---	-----------	--	------	--	---





## 9812/3080 R3-1-1 INDUCTION MANIFOLD



925680

Item	Part #	Change No	Description	Usage Code	QTY
1	332/C9185		Manifold Induction		1
2	02/940249		Gasket inlet manifold <i>See R8-1-1</i>		1

3	02/940248		Bolt	4
4	02/940098		Pipe breather	1
5	02/940099		Tube connection	2
6	02/940101		Clip hose	4
7	02/940052		Bolt hex head M8x70	2



**Download the full PDF manual instantly.**

**Our customer service e-mail:**

**[aservicemanualpdf@yahoo.com](mailto:aservicemanualpdf@yahoo.com)**