

**PLANERS
WHEEL
SAWS**

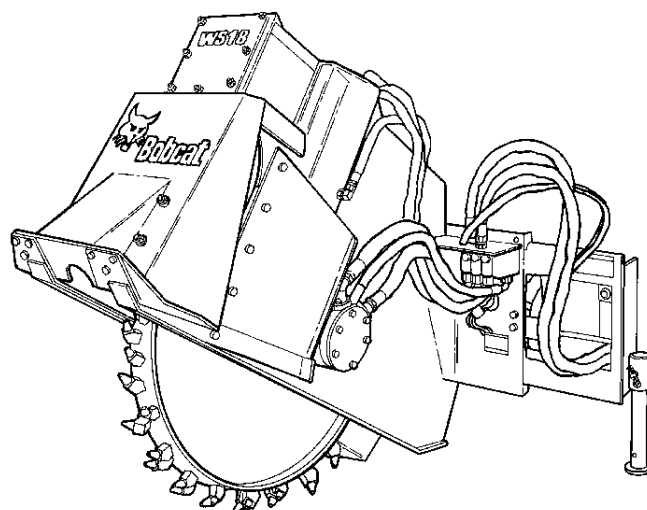
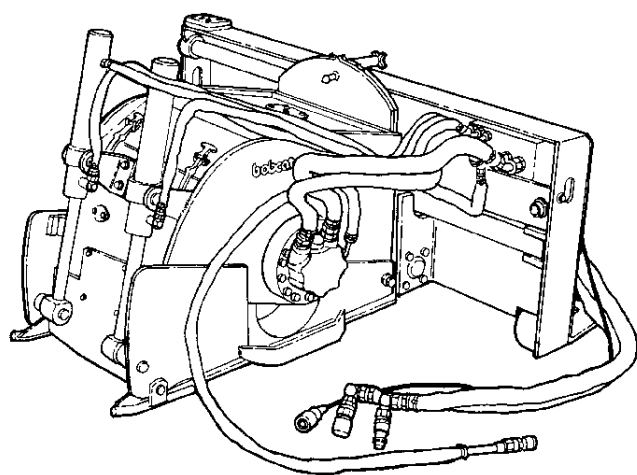


Bobcat®

VOLUME 4

Attachments

**Parts
Manual**



VOLUME INDEX

<p>VOLUME 1 Contains</p>	<p>VOLUME 7 Contains</p> <p>CHIPPER CONCRETE MIXER CONCRETE PUMP</p> <p>(P/N 6901469)</p>
<p>VOLUME 2 Contains</p> <p>AUGERS BREAKERS CUTTER CRUSHER (P/N 6901459)</p>	<p>VOLUME 8 Contains</p>
<p>VOLUME 3 Contains</p>	<p>VOLUME 9 Contains</p>
<p>VOLUME 4 Contains</p> <p>PLANERS WHEEL SAWS</p> <p>(P/N 6901463)</p>	<p>VOLUME 10 Contains</p> <p>VERSAHANDLER ATTACHMENTS: AUGER, BROOM, BUCKETS, GRAPPLES, PALLET FORKS & BOOM TRUSS</p> <p>(P/N 6901407)</p>
<p>VOLUME 5 Contains</p>	
<p>VOLUME 6 Contains</p>	

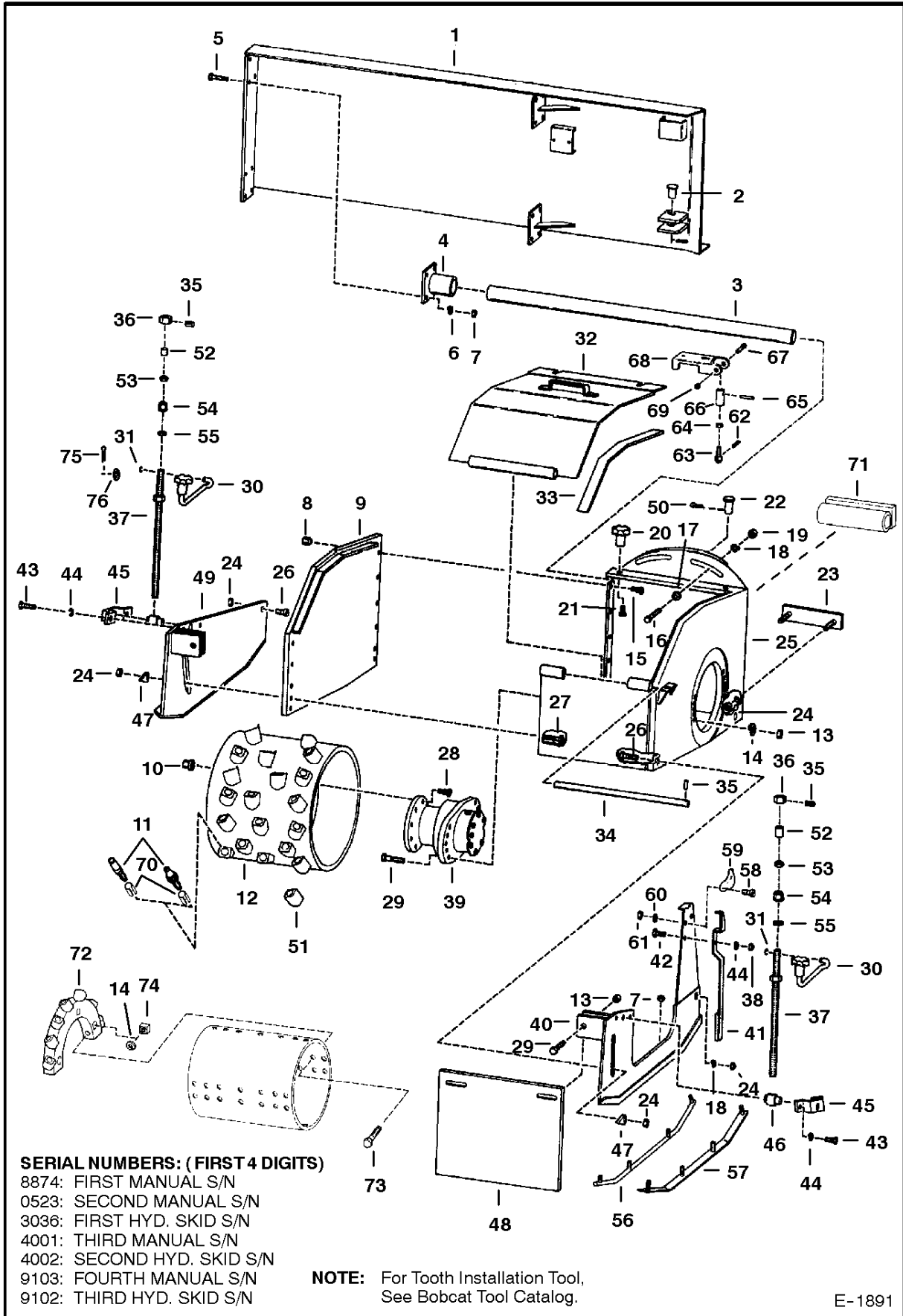
VOLUME 4 CONTENTS

PLANERS	10-152
MAIN FRAME	10-21
843H MOTOR HYDRAULIC CIRCUITRY	22-27
MOTOR HYDRAULIC CIRCUITRY	28-29
SIDESHIFT HYDRAULIC CIRCUITRY	30-31
843H & 853H SIDESHIFT HYDRAULIC CIRCUITRY	32-35
SIDESHIFT HYDRAULIC CIRCUITRY (PLANER S/N 910300101 & ABOVE)	36-37
MANUAL & HYDRAULIC SKI ADJUSTERS	38-41
PLANER GUIDE RODE	42
HOSE CONVERSION	43
PLANER DECALS	44-45
PLANER HYDRAULICS	46-48
HYDRAULIC VALVE	50-51
DEPTH CONTROL MOTOR	52-55
PLANER MOTOR	56-61
HYDRAULIC CUSHION VALVE	62
SIDE SHIFT CYLINDER	63
MAIN FRAME (18" & 24" PLANERS)	64-65
HOUSING GROUP (18" & 24" PLANERS)	66-71
HYDRAULIC CIRCUITRY (18" & 24" PLANERS)	72-77
CONTROL VALVE (18" & 24" PLANERS)	78-79
MOTOR (18" & 24" PLANERS)	80-85
DEPTH CONTROL CYLINDER (18" & 24" PLANERS)	86
SIDE SHIFT CYLINDER (18" & 24" PLANERS)	87
GUIDE ROD KIT (18" & 24" PLANERS)	88
MAIN FRAME (16" SURFACE PLANER)	90-91
HOUSING GROUP (16" SURFACE PLANER)	92-93
HYDRAULIC CIRCUITRY (16" SURFACE PLANER)	94-97
CONTROL VALVE (16" SURFACE PLANER)	98-99
MOTOR (16" SURFACE PLANER)	100-101
DEPTH CONTROL CYLINDER (16" SURFACE PLANER)	102
SIDE SHIFT CYLINDER (16" SURFACE PLANER)	103
GUIDE ROD KIT (16" SURFACE PLANER)	104
HOUSING GROUP (40" PLANER)	106-109
MOTOR ASSY (40" PLANER)	110-111
CYLINDERS & BUSHINGS (40" PLANER)	112
SIDE SHIFT CYLINDER (40" PLANER)	113
DEPTH CONTROL CYLINDER (40" PLANER)	114
TILT CYLINDER (40" PLANER)	115
HYDRAULIC CIRCUITRY (40" PLANER)	116-121
CONTROL VALVE (40" PLANER)	122-123
MAIN FRAME (STANDARD FLOW PLANER)	124-127
VALVE (STANDARD FLOW PLANER)	128
CYLINDER (STANDARD FLOW PLANER)	129
HYDROSTATIC MOTOR (STANDARD FLOW PLANER)	130-131
MAIN FRAME (14" STANDARD FLOW PLANER)	132-133
HOUSING GROUP (14" STANDARD FLOW PLANER)	134-137
HYDRAULIC CIRCUITRY (14" STANDARD FLOW PLANER)	138-141
SELECTOR VALVE (14" STANDARD FLOW PLANER)	142-143
MOTOR (14" STANDARD FLOW PLANER)	144-145
SIDE SHIFT CYLINDER (14" STANDARD FLOW PLANER)	146
GUIDE ROD KIT (14" STANDARD FLOW PLANER)	147
HYDRAULIC DEPTH CONTROL KIT (14" STANDARD FLOW PLANER)	148-149
CONTROL VALVE (14" STANDARD FLOW PLANER)	150-151
DEPTH CONTROL CYLINDER (14" STANDARD FLOW PLANER)	152
WHEEL SAWS	154-189
WHEEL SAW - MAIN FRAIME (WS12 & WS18)	154-159
WHEEL SAW - SIDESHIFT CYLINDER (WS12)	160
WHEEL SAW - DEPTH CONTROL CYLINDER (WS12)	161
WHEEL SAW - SIDESHIFT CYLINDER (WS18)	162
WHEEL SAW - DEPTH CONTROL CYLINDER (WS18)	163
WHEEL SAW - HYDROSTATIC MOTOR (WS12 & WS18)	164-165
WHEEL SAW - GEARBOX (WS12 & WS18)	166-167
WHEEL SAW - VALVE (WS12 & WS18)	168
WHEEL SAW - MAIN FRAIME (WS18 & WS24)	170-175
WHEEL SAW - MOUNTING FRAME (WS18 & WS24)	176-177

VOLUME 4 CONTENTS (CONT'D)

WHEEL SAWS (CONT'D)	154-189
WHEEL SAW - MOTOR (WS18 & WS24)	178-179
WHEEL SAW - SIDE SHIFT CYLINDER (WS18 & WS24)	180
WHEEL SAW - DEPTH CONTROL CYLINDER (WS18 & WS24)	181
WHEEL SAW - TRENCH CLEANER CYLINDER (WS18 & WS24)	182
WHEEL SAW - HYDRAULIC & ELECTRIC CIRCUITRY (WS18 & WS24)	184-185
WHEEL SAW - HYDRAULIC CIRCUITRY (WS18 & WS24)	186-187
WHEEL SAW - CONTROL VALVE (WS18 & WS24)	188-189
NUMERICAL INDEX	190-218
NUMERICAL INDEX	190-218

MAIN FRAME
 (Planer - S/N 052300699 & Below, 303600100 & Below)



MAIN FRAME

Ref.N°	Part N°	Description	Remarks	Serial N°	Qty.
1	6650159	FRAME	Bob-Tach		1
2	6650160	PIN			1
3	6650161	ROD SLIDE			2
4	6650162	END CAP			4
5	17C-834	BOLT			16
6	4E-8	WASHER			16
7	61D-8	NUT			16
8	6610379	NUT	Was 6650163 [A]		9
9	6650164	SIDE			1
10	6651480	NUT			x
11	6672259	BIT	std all purpose - sharp point		x
11	6650137	BIT	all purpose - blunt point for longer life		x
11	6650138	BIT	concrete - carbide point		x
11	6659946	BIT	heavy duty - carbide point		x
12	SALES	DRUM	2' Wide all purpose - 24 bits - Sales #6662756inD1}0		1
12	SALES	DRUM	4' Wide all purpose - 39 bits - Sales #6652876inD1}2		1
12	SALES	DRUM	6' Wide all purpose - 34 bits - Sales #6661408inD1}4		1
12	SALES	DRUM	8' Wide all purpose - 34 bits - Sales #6658181inD1}6		1
12	SALES	DRUM	12' Wide all purpose - 40 bits - Sales #6658182inD1}8		1
12	SALES	DRUM	16' Wide asphalt - 50 bits - Sales #6651216inD1};		1
12	SALES	DRUM	16' Wide all purpose - 62 bits - Sales #6652875inD1}<		1
13	61D-10	NUT			12
14	4E-10	WASHER			12
15	6650191	STUD			9
16	37C-1240	BOLT	Was 17C-1232 [B]		2
17	25E-27	WASHER			2
18	4E-12	WASHER			2
19	61D-12	NUT			2
20	6650165	KNOB		887400303 & Bel	2
21	17C-832	BOLT		887400303 & Bel	2
22	6650166	PIN			1
23	6650167	CLAMP			1
24	59D-12	NUT			6
25	NAP	HOUSING	Order (1) of 6650168 housing, (1) of 6650167 clamp , (2) of 6667550 wear plate, (2) of 6667551 cover, .(2) of 37C-1240 bolt, (2	910300100 & Bel	1
25	6650168	HOUSING			1
26	6654219	BOLT	Was 17C-1240 [B]		3
27	6654220	BOLT	Was 17C-1252 [B]		1
28	6650213	STUD			x
29	17C-1032	BOLT			12
30	6650169	CRANK	adj.		2
31	NAP	CLIP	Was 6650192 [A]		2
32	6650170	DOOR		887400303 Thru, 052300500	1
32	6655953	DOOR		052300501 & Abv	1
33	6653205	CUSHION SEAL			2
34	6650171	PIN			1
35	14J-2524	ROLL PIN			4
36	NAP	NUT	Order Ref. MAIN FRAME(52) - MAIN FRAME(55)	887400214 & Bel	2
37	6650173	BOLT			2
38	61D-6	NUT		887400303 & Bel	1
39		MOTOR	See Page PLANER MOTOR(1)-PLANER MOTOR(1)		1
40	NAP	SKID PLATE	Order 6669028 plate, 6669029 mount (4) of 84G-3710 bolt and Ref. MAIN FRAME(56) or MAIN FRAME(57) - Was 6650175 [A]	887400303 Thru, 052300500	1

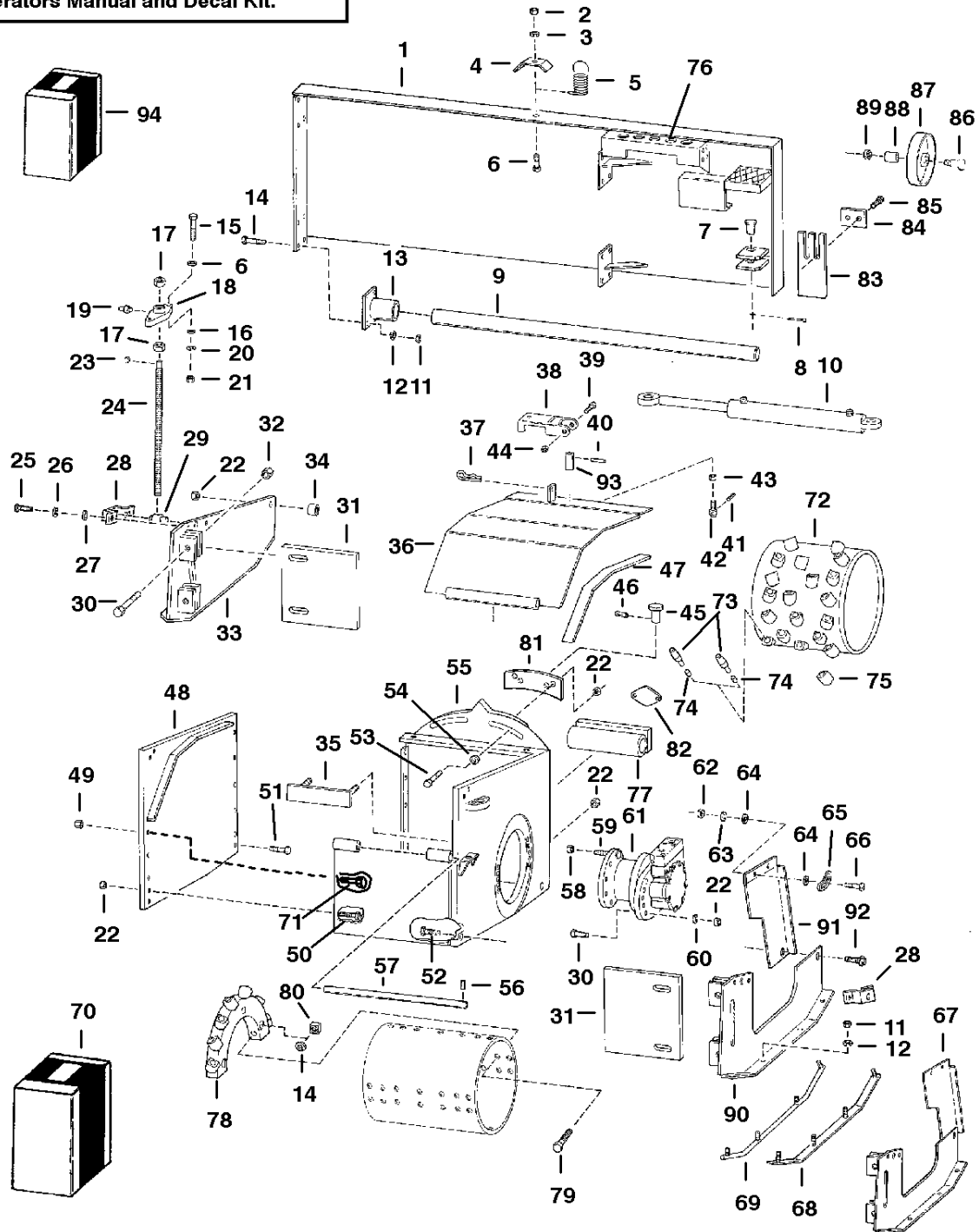
MAIN FRAME

Ref.N°	Part N°	Description	Remarks	Serial N°	Qty.
40	NAP	SKID PLATE	Order 6669028 plate, 6669029 mount (4) of 84G-3710 bolt and Ref. MAIN FRAME(56) or MAIN FRAME(57) - Was 6656392 [A]	052300501 & Abv	1
41	6650174	LEVER			1
42	17C-616	BOLT			1
43	17C-716	BOLT			4
44	4E-7	WASHER			4
45	6650176	BRACKET			2
46	6650177	SWIVEL			2
47	6650178	WASHER	arrow		2
48	6659863	FLAP	Was 6650179 [A]		2
49	NAP	SKID PLATE	Order 6656390, 61D-8 & Ref. MAIN FRAME(56) or Ref. MAIN FRAME(57) - Was 6650180 [A]	887400303 & Bel	1
49	6659864	SKID PLATE	Was 6656390 [A]	052300501 & Abv	4
50	1F-832	COTTER PIN			4
51	6654056	BLOCK			x
52	6654889	SPACER		887400215 & Abv	2
53	6654890	NUT		887400215 & Abv	2
54	6654891	NUT		887400215 & Abv	2
55	6654892	WASHER		887400215 & Abv	2
56	6655955	WEAR BAR	Round	052300501 & Abv	2
57	6655954	WEAR BAR	Flat	052300501 & Abv	2
58	41G-812	BOLT		052300501 & Abv	2
59	6655956	SLOPE METER		052300501 & Abv	1
60	17E-8	WASHER		052300501 & Abv	2
61	12D-8	NUT		052300501 & Abv	2
62	6599361	PIN		052300501 & Abv	1
63	6565629	SCREW		052300501 & Abv	1
64	6565627	NUT		052300501 & Abv	1
65	33G-404			052300501 & Abv	1
66	6565628	NUT		052300501 & Abv	1
67	6564599	BOLT		052300501 & Abv	1
68	6563681	HANDLE		052300501 & Abv	1
69	85D-5	NUT		052300501 & Abv	1
70	6664475	RETAINER			x
71	6665660	TUBE	Welded on		2
72	6707993	RING			4
73	17C-1040	BOLT			12
74	6707999	NUT			12
75	1F-420	COTTER PIN	cotter		1
76	25E-21	WASHER			1

MAIN FRAME

(Planer - S/N 052300701 & Above, 303600101 & Above)

NOTE: AR = Spanish (Argentina)
 BR = Portugese (Brazil)
 JP = Japanese
 Translation Kit includes Safety Manual,
 Operators Manual and Decal Kit.



- SERIAL NUMBERS: (FIRST 4 DIGITS)**
 8874: FIRST MANUAL S/N
 0523: SECOND MANUAL S/N
 3036: FIRST HYD. SKID S/N
 4001: THIRD MANUAL S/N
 4002: SECOND HYD. SKID S/N
 9103: FOURTH MANUAL S/N
 9102: THIRD HYD. SKID S/N

NOTE: For Tooth Installation Tool,
 See Bobcat Tool Catalog.

E-2165

MAIN FRAME

Ref.N°	Part N°	Description	Remarks	Serial N°	Qty.
1	6650159	FRAME			1
2	61D-5	NUT			1
3	4E-5	WASHER			1
4	6648599	CLAMP			1
5	6660002	SPRING			1
6	17C-520	BOLT			1
7	6650160	PIN			1
8	1F-832	COTTER PIN			4
9	6650161	ROD SLIDE			1
10		CYLINDER	See Page SIDESHIFT CYLINDER(1)		1
11	61D-8	NUT			16
12	4E-8	WASHER			16
13	6650162	END CAP			4
14	17C-834	BOLT			16
15	17C-624	BOLT			4
16	25E-17	WASHER			8
17	6654890	NUT		052300999 & Bel	4
17	6661764	NUT		400100101 & Abv	4
18	6659867	BEARING			2
19	10H-35	GREASE ZERK			2
20	4E-6	WASHER			4
21	61D-6	NUT			4
22	59D-12	NUT			8
23	5J-606	KEY			2
24	NAP	SCREW	adjusting - Order Ref. MAIN FRAME(70)	052300999 & Bel	2
24	6661760	SCREW	adjusting	400100101 & Abv	2
25	17C-716	BOLT			4
26	4E-7	WASHER			4
27	25E-17	WASHER			4
28	6650176	BRACKET		052300999 & Bel	2
28	6662310	BRACKET		400100101 & Abv	2
29	6660275	SWIVEL	block	052300999 & Bel	2
29	6661761	SWIVEL	block	400100101 & Abv	2
30	17C-1032	BOLT			14
31	6659863	FLAP			2
32	59D-10	NUT			4
33	6659864	SKID PLATE			1
34	6662259	BUSHING			2
35	6650167	CLAMP			1
36	6655953	DOOR			1
37	6648587	PIN			1
38	6563681	HANDLE			1
39	38C-624	BOLT	Was 6564599 [A]		1
40	33G-404				1
41	6599361	PIN			1
42	6565629	SCREW			1
43	6565627	NUT			1
44	85D-5	NUT			1
45	6650166	PIN			1
46	1F-832	COTTER PIN			1
47	6653205	CUSHION SEAL			2
48	6659861	FRAME			1
49	6610379	NUT			9
50	6654220	BOLT			1
51	17C-1240	BOLT			2

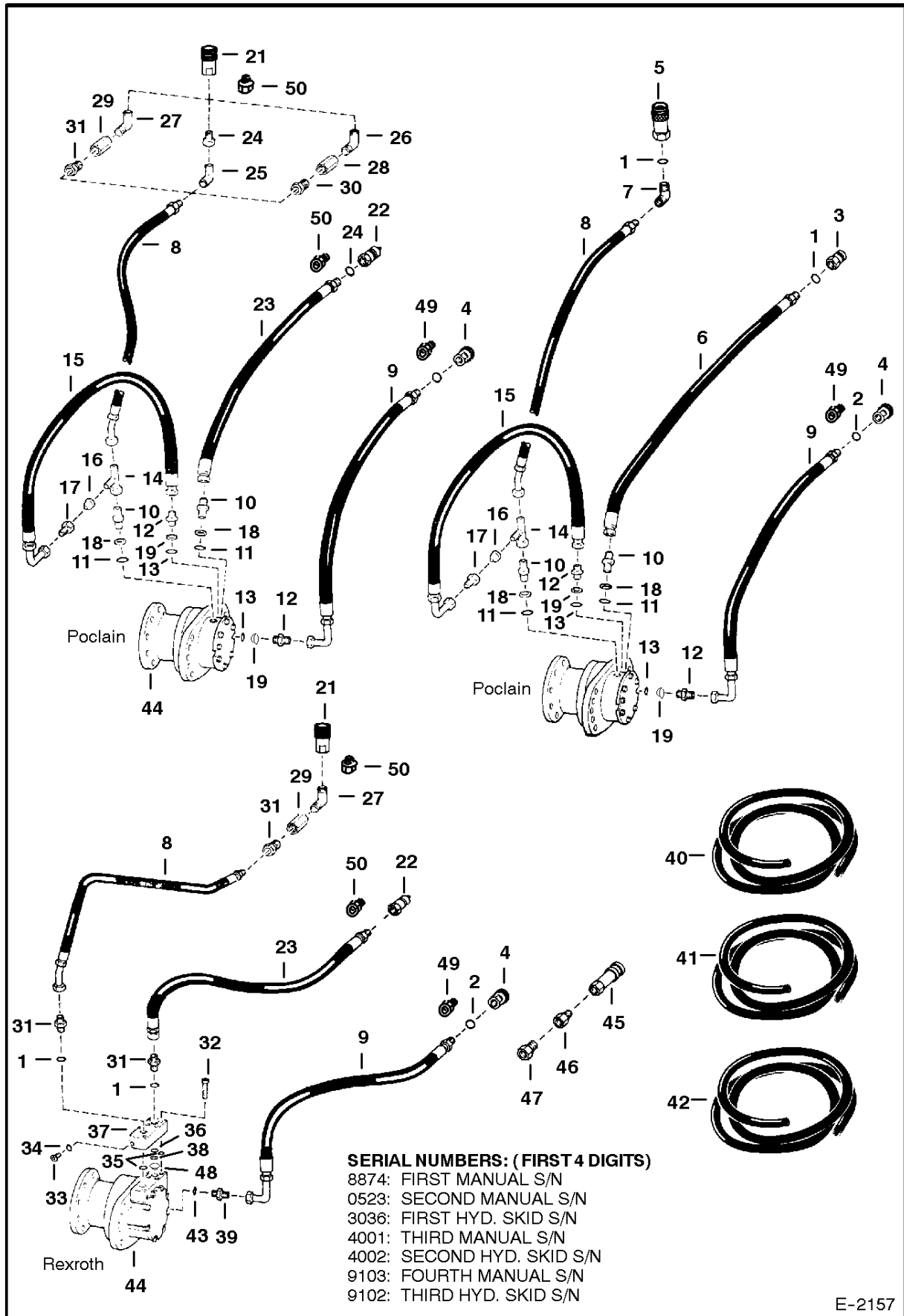
MAIN FRAME

Ref.N°	Part N°	Description	Remarks	Serial N°	Qty.
52	6654219	BOLT			1
53	37C-1240	BOLT	Was 17C-1232 [B]		2
54	25E-27	WASHER			2
55	NAP	HOUSING	Order (1) of 6650168 housing, (1) of Ref. MAIN FRAME(35), (2) of Ref. MAIN FRAME(81), (2) of Ref. MAIN FRAME(82), (2) of 37C-1	910300100 & Bel	1
55	6650168	HOUSING			1
56	14J-2524	ROLL PIN			2
57	6650171	PIN			1
58	6651480	NUT			8
59	6650213	STUD			8
60	4E-10	WASHER			10
61		MOTOR	See Page PLANER MOTOR(1) - PLANER MOTOR(1)		1
62	12D-8	NUT			2
63	17E-8	WASHER			2
64	25E-8	WASHER			1
65	6655956	SLOPE METER			1
66	41G-812	BOLT			2
67	NAP	SKID PLATE	Order 6669028 plate, 6669029 mount (4) of 84G-3710 bolt and Ref. MAIN FRAME(68) or MAIN FRAME(69) - Was 6656392 [A]	910300100 & Bel	1
68	6655954	WEAR BAR	flat		2
69	6655955	WEAR BAR	round		2
70	6662311	SCREW KIT	For Hydraulic Skis - Includes MAIN FRAME(17), MAIN FRAME(24), MAIN FRAME(28) & MAIN FRAME(29) - Also 6661765 Orifice & 6661762		1
70	6662312	SCREW KIT	For Manual Skis - Includes MAIN FRAME(17), MAIN FRAME(24), MAIN FRAME(28) & MAIN FRAME(29) - Also 6659868 Adapter - For One Side		1
71	6650191	STUD			9
72	SALES	DRUM	2' Wide all purpose - 24 bits - Sales #6662756inD1}0		1
72	SALES	DRUM	4' Wide all purpose - 39 bits - Sales #6652876inD1}2		1
72	SALES	DRUM	6' Wide all purpose - 34 bits - Sales #6661408inD1}4		1
72	SALES	DRUM	8' Wide all purpose - 34 bits - Sales #6658181inD1}6		1
72	SALES	DRUM	12' Wide all purpose - 40 bits - Sales #6658182inD1}8		1
72	SALES	DRUM	16' Wide asphalt - 50 bits - Sales #6651216inD1}:		1
72	SALES	DRUM	16' Wide all purpose - 62 bits - Sales #6652875inD1}<		1
73	6672259	BIT	std all purpose - sharp point		x
73	6650137	BIT	all purpose - blunt point for longer life		x
73	6650138	BIT	concrete		x
73	6659946	BIT	heavy duty - carbide point		x
74	6664475	RETAINER			x
75	6654056	BLOCK			x
76	6577917	STEP			1
77	6665660	TUBE	Welded on		2
78	6707993	RING			4
79	17C-1040	BOLT			12
80	6707999	NUT			12
81	6667550	WEAR STRIP			2
82	6667551	COVER			2
83	6668932	SCRAPER		910200102 & Abv	2
84	6668954	PLATE		910200102 & Abv	2
85	84G-3712	BOLT		910200102 & Abv	4
86	38C-1264	BOLT	shoulder	910200102 & Abv	2
87	6670683	WHEEL	W/Ref. MAIN FRAME(88) - Was 6668933 [A]	910200102 & Abv	2
88	6668934	BUSHING		910200102 & Abv	2
89	59D-10	NUT		910200102 & Abv	2

MAIN FRAME

Ref.N°	Part N°	Description	Remarks	Serial N°	Qty.
90	6669028	PLATE		910200102 & Abv	1
91	6671104	MOUNT, LEVEL	Was 6669029 [A]	910200102 & Abv	1
92	84G-3710	BOLT		910200102 & Abv	4
93	6565628	NUT			1
94	6716760AR	KIT	decal - SEE NOTE		1
94	6716760BR	KIT	decal - SEE NOTE		1
94	6716760JP	KIT	decal - SEE NOTE		1
94	6716761AR	KIT	translation - SEE NOTE		1
94	6716761BR	KIT	translation - SEE NOTE		1

843H MOTOR HYDRAULIC CIRCUITRY



E-2157

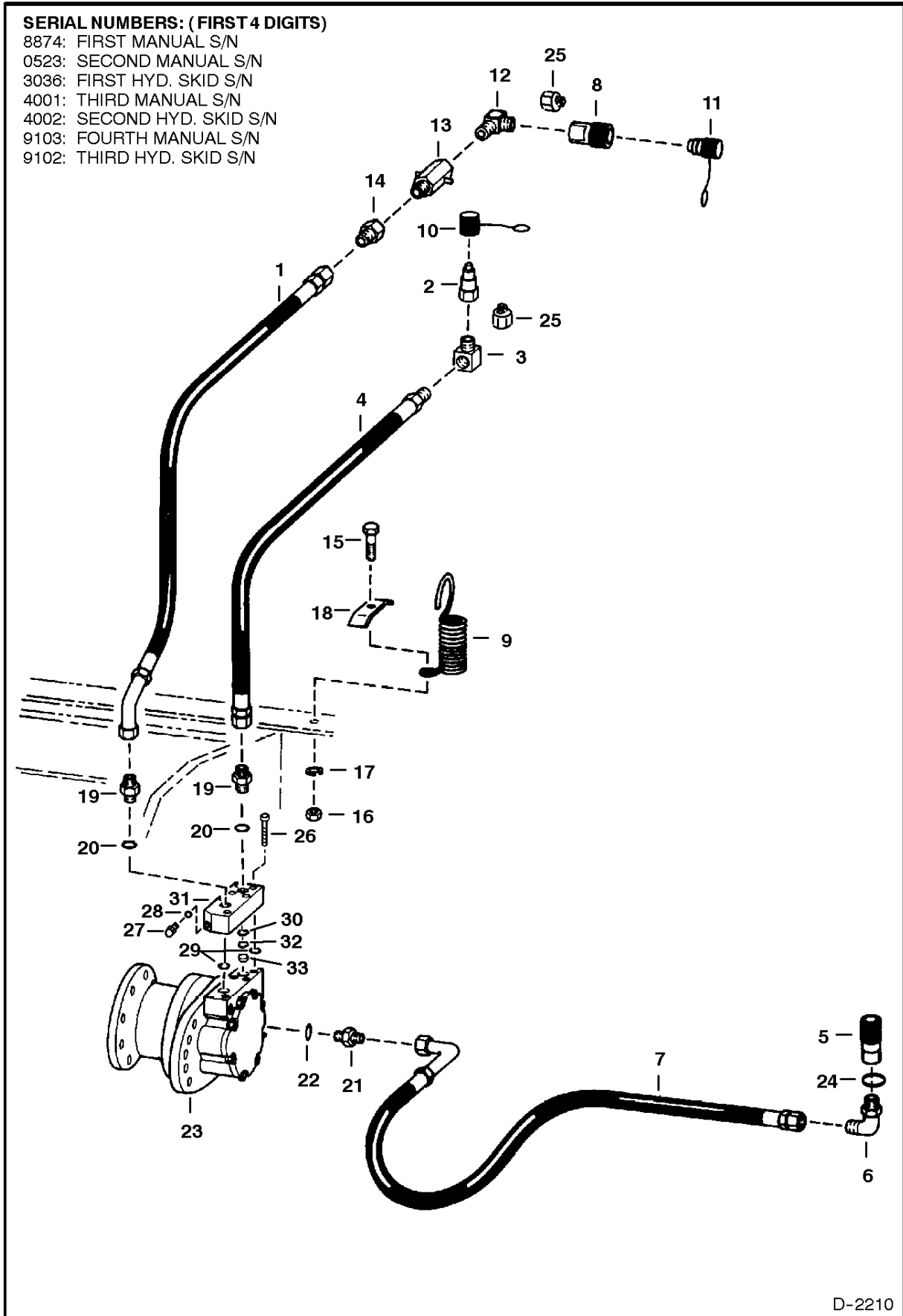
843H MOTOR HYDRAULIC CIRCUITRY

Ref.N°	Part N°	Description	Remarks	Serial N°	Qty.
1	79K-12	O-RING			2
2	79K-8	O-RING			2
3	6641358	COUPLER	male - O-ring threads	887400181 & Bel	1
3	6674688	COUPLER	male - flush face - Was 6667808 [A]		1
3	6672026	O-RING			1
4	6598758	COUPLER	female - poppet - Was 6630092 [B]		1
4	6672960	COUPLER	female FF - Was 6667807 [A]		1
5	6641359	COUPLER	female - O-ring threads	887400181 & Bel	1
5	6672960	COUPLER	female FF - Was 6667807 [A]		1
5	25K-40110	O-RING	used with poppet coupler	887400181 & Bel	1
6	6650077	HOSE		887400181 & Bel	1
7	6655147	ELBOW		887400181 & Bel	1
8	6650078	HOSE			1
9	6652536	HOSE	Was 6578898 [B]		1
10	6650188	ADAPTER		052300719 & Bel	2
11	6653206	O-RING		052300719 & Bel	2
12	6650189	ADAPTER		052300719 & Bel	1
13	6653208	O-RING		052300719 & Bel	1
14	6651219	TEE		052300719 & Bel	1
15	6651221	HOSE		052300719 & Bel	1
16	6651218	ORIFICE		052300719 & Bel	1
17	6651220	REDUCER		052300719 & Bel	1
18	6653207	WASHER		052300719 & Bel	2
19	6653209	WASHER	Was 6653208 [D]	052300719 & Bel	2
20	NAP	MOTOR	Poclairn - See Page PLANER MOTOR(1) - Order Ref. 843H MOTOR HYDRAULIC CIRCUITRY(1), 843H MOTOR HYDRAULIC CIRCUITRY(31)-843H MOTO	052300719 & Bel	1
21	6515596	QUICK COUPLER	female - pipe threads	887400182 & Abv	1
21	6672960	COUPLER	female FF - Was 6667807 [A]		1
21	73K-219	BACK-UP RING		887400182 & Abv	1
22	6515597	QUICK COUPLER	male - pipe threads	887400182 & Abv	1
22	6674688	COUPLER	male - flush face - Was 6667808 [A]		1
22	6672026	O-RING			1
23	6655146	HOSE		887400182 & Abv	1
24	6652945	ADAPTER	Ref. 843H MOTOR HYDRAULIC CIRCUITRY(21) & 843H MOTOR HYDRAULIC CIRCUITRY(22) - Used with pipe thread couplers		2
25	6655148	ELBOW		887400182 & Abv	1
26	6655957	ELBOW	O-ring	052300501 thru, 052300523	1
27	6657220	ELBOW	pipe thread	052300526 & Abv	1
28	6655958	CHECK VALVE	O-ring	052300501 thru, 052300525	1
29	6657221	CHECK VALVE	pipe thread	052300526 & Abv	1
30	6655959	ADAPTER	O-ring	052300501 thru, 052300525	1
31	6657222	ADAPTER	pipe thread - Was 6657272 [D]	052300526 & Abv	2
32	6659878	BOLT		052300720 & Abv	6
33	6660068	PLUG		052300720 & Abv	1
34	6660069	O-RING		052300720 & Abv	1
35	6659881	O-RING		052300720 & Abv	2
36	6659880	O-RING		052300720 & Abv	1
37	6659879	BLOCK		052300720 & Abv	1
38	38K-20102	O-RING	inside of 6659880		1
39	6660066	ADAPTER	Was 6660616 [D]	052300720 & Abv	2
40	6649389	COVER	bulk - Sold Per Foot - For Small Hoses		x
41	6652367	HOSE	bulk - Sold Per Foot - For Large Hoses		x
42	6659258	HOSE SHIELD	Covers all 3 Hoses		1
43	6660067	O-RING		052300720 & Abv	1

843H MOTOR HYDRAULIC CIRCUITRY

Ref.N°	Part N°	Description	Remarks	Serial N°	Qty.
44	NAP	MOTOR KIT	Order Ref. 843H MOTOR HYDRAULIC CIRCUITRY(1), 843H MOTOR HYDRAULIC CIRCUITRY(31) - 843H MOTOR HYDRAULIC CIRCUITRY(39), 843H MOTO		1
44		MOTOR	Rexroth - See Page PLANER MOTOR(1) - PLANER MOTOR(1) - Was 6658139 [A]	052300720 & Abv	1
45	6658252	QUICK COUPLER	screw on		1
46	6661008	REDUCER			1
47	6661009	REDUCER			1
48	6660810	ORIFICE			1
49	6668096	ADAPTER	used to convert Ref. 843H MOTOR HYDRAULIC CIRCUITRY(4), 6598758 to flush face coupler		2
50	6670983	ADAPTER	used to convert Ref. 843H MOTOR HYDRAULIC CIRCUITRY(21) & 843H MOTOR HYDRAULIC CIRCUITRY(22) to flush face couplers		2

853H MOTOR HYDRAULIC CIRCUITRY



D-2210

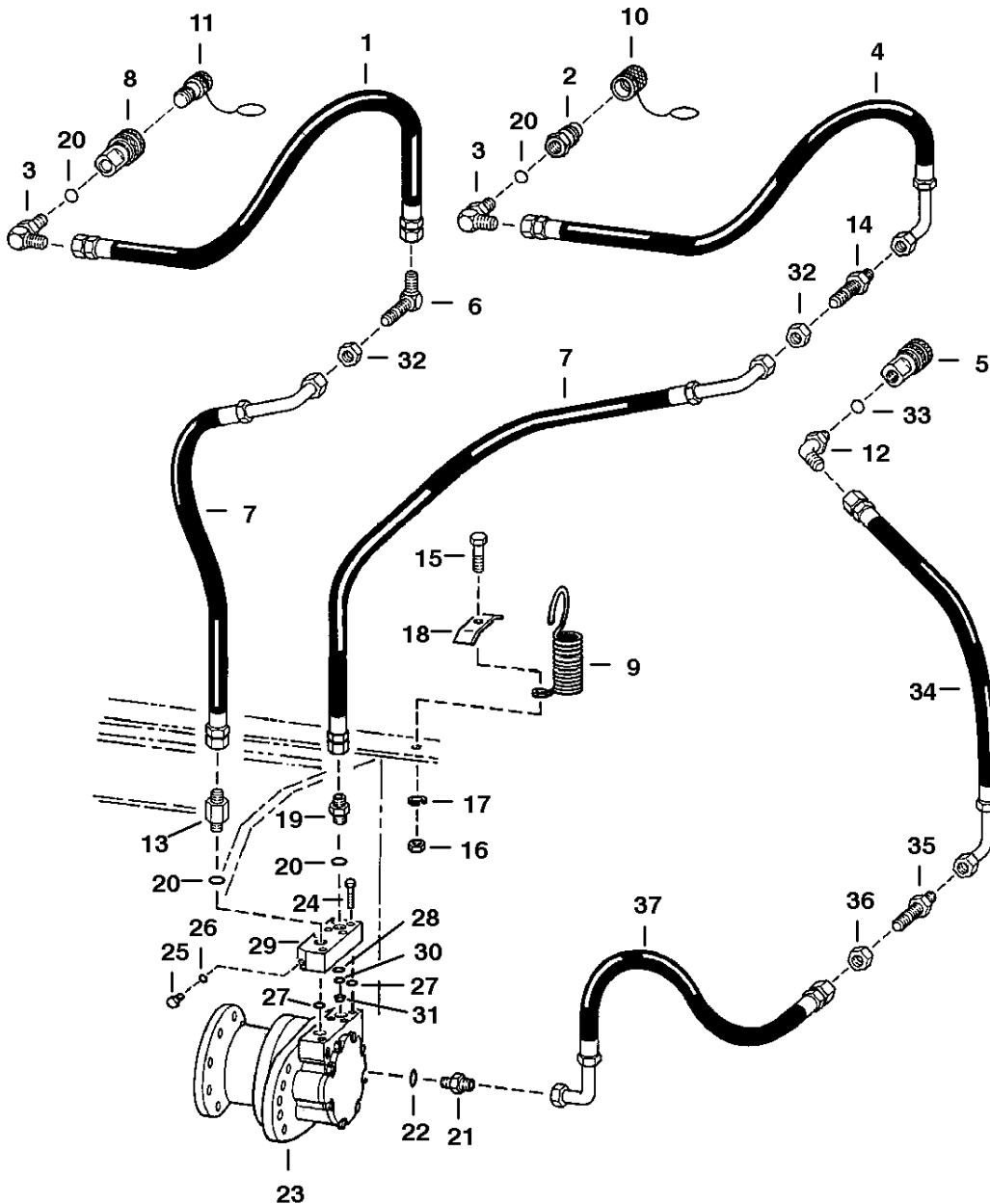
853H MOTOR HYDRAULIC CIRCUITRY

Ref.N°	Part N°	Description	Remarks	Serial N°	Qty.
1	6660547	HOSE			1
2	6515597	QUICK COUPLER	male - pipe threads		1
2	6674688	COUPLER	male - flush face - Was 6667808 [A]		1
2	6672026	O-RING			1
3	6660544	ELBOW			1
4	6655146	HOSE			1
5	6658252	QUICK COUPLER	screw on - poppet		1
5	6667805	COUPLER	female - flush face		1
6	6657211	ELBOW	used with poppet couplers		1
6	1300059	ELBOW	used with flush face couplers		1
7	6660546	HOSE			1
8	6515596	QUICK COUPLER	female - pipe threads		1
8	6672960	COUPLER	female FF - Was 6667807 [A]		1
9	6660002	SPRING			1
10	6515599	CAP	For Ref. 853H MOTOR HYDRAULIC CIRCUITRY(2)		1
11	6515598	PLUG	For Ref. 853H MOTOR HYDRAULIC CIRCUITRY(8)		1
12	6657220	ELBOW	pipe thread		1
13	6657221	CHECK VALVE	pipe thread		1
14	6657222	ADAPTER	pipe thread		1
15	17C-524	BOLT			1
16	61D-5	NUT			1
17	23E-5	WASHER			1
18	6648599	CLAMP			1
19	6657222	ADAPTER			2
20	79K-12	O-RING			2
21	6660066	ADAPTER			1
22	6660067	O-RING			1
23		MOTOR	See Page PLANER MOTOR(1)-PLANER MOTOR(1)		1
24	79K-6	O-RING	used with poppet couplers		1
24	79K-8	O-RING	used with flush face couplers		1
25	6670983	ADAPTER	used to convert to flush face couplers		2
26	6659878	BOLT			6
27	6660068	PLUG			1
28	6660069	O-RING			1
29	6659881	O-RING			1
30	6659880	O-RING			2
31	6659879	BLOCK			1
32	38K-20102	O-RING			1
33	6660810	ORIFICE			1

MOTOR HYDRAULIC CIRCUITRY
(Planer S/N 910300101 & Above, 910200102 & Above)

SERIAL NUMBERS: (FIRST 4 DIGITS)

- 8874: FIRST MANUAL S/N
- 0523: SECOND MANUAL S/N
- 3036: FIRST HYD. SKID S/N
- 4001: THIRD MANUAL S/N
- 4002: SECOND HYD. SKID S/N
- 9103: FOURTH MANUAL S/N
- 9102: THIRD HYD. SKID S/N



D-2318

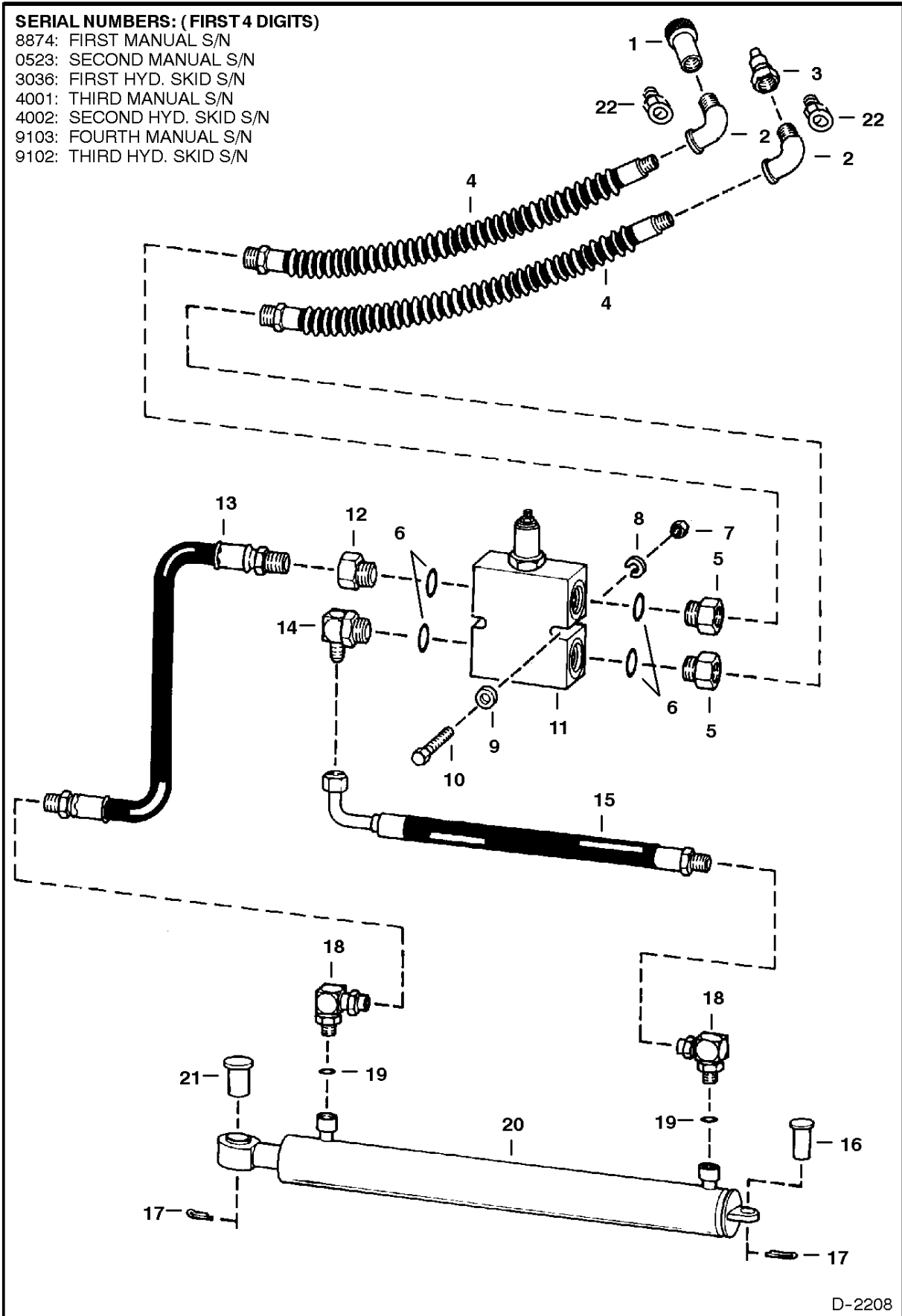
MOTOR HYDRAULIC CIRCUITRY

Ref.N°	Part N°	Description	Remarks	Serial N°	Qty.
1	6667542	HOSE			1
2	6648970	QUICK COUPLER	male - poppet		1
2	6674688	COUPLER	male - flush face - Was 6667808 [A]		1
2	6672026	O-RING			1
3	17K-8	ELBOW			2
4	6667544	HOSE			1
5	6658252	QUICK COUPLER	screw on - poppet		1
5	6667805	COUPLER	female - flush face		1
6	88F-8	ELBOW			1
7	6667543	HOSE			2
8	6648968	QUICK COUPLER	female - poppet		1
8	6672960	COUPLER	female FF - Was 6667807 [A]		1
9	6660002	SPRING			1
10	6515599	CAP	For Ref. MOTOR HYDRAULIC CIRCUITRY(2)		1
11	6515598	PLUG	For Ref. MOTOR HYDRAULIC CIRCUITRY(8)		1
12	18K-5	ELBOW	used with poppet coupler		1
12	6711631	ELBOW	used with flush face coupler		1
13	6659459	VALVE			1
14	45K-8	CONNECTOR			1
15	17C-524	BOLT			1
16	61D-5	NUT			1
17	23E-5	WASHER			1
18	6648599	CLAMP			1
19	6657222	ADAPTER			1
20	79K-12	O-RING			4
21	6660066	ADAPTER			1
22	6660067	O-RING			1
23		MOTOR	See Page PLANER MOTOR(1)-PLANER MOTOR(1)		1
24	6659878	BOLT			6
25	6660068	PLUG			1
26	6660069	O-RING			1
27	6659880	O-RING	Was 6659881 [D]		2
28	6659881	O-RING	Was 6659880 [D]		1
29	6659879	BLOCK			1
30	38K-20102	O-RING			1
31	6660810	ORIFICE			1
32	86F-8	NUT			2
33	79K-6	O-RING			1
34	6667545	HOSE			1
35	45K-5	ADAPTER			1
36	86F-5	NUT			1
37	6667546	HOSE			1

SIDESHIFT HYDRAULIC CIRCUITRY (For Manual Skids - S/N 052300700 & Below)

SERIAL NUMBERS: (FIRST 4 DIGITS)

- 8874: FIRST MANUAL S/N
- 0523: SECOND MANUAL S/N
- 3036: FIRST HYD. SKID S/N
- 4001: THIRD MANUAL S/N
- 4002: SECOND HYD. SKID S/N
- 9103: FOURTH MANUAL S/N
- 9102: THIRD HYD. SKID S/N



D-2208



Download the full PDF manual instantly.

Our customer service e-mail:

aservicemanualpdf@yahoo.com