

A300

TURBO



Bobcat®

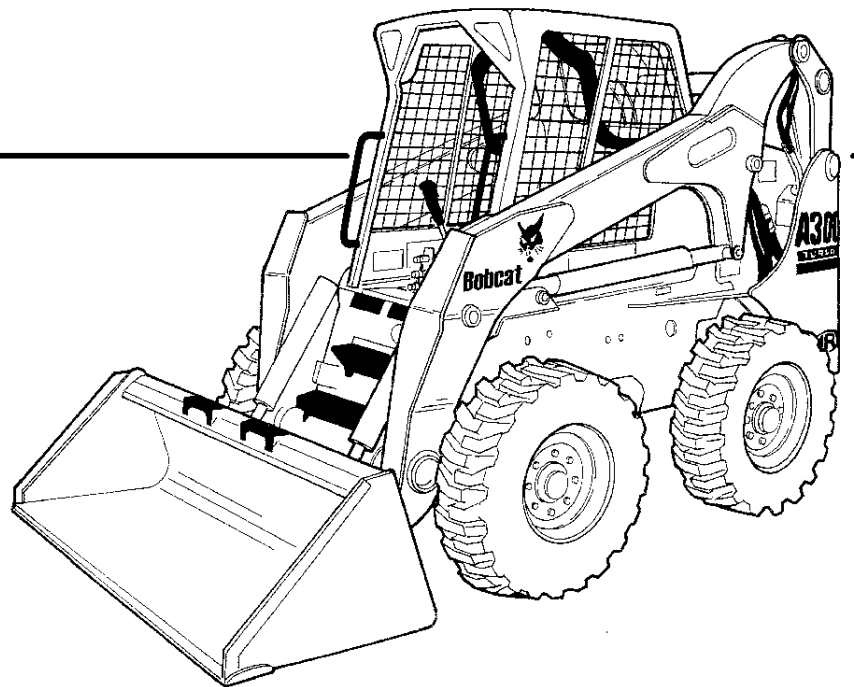
Parts Manual

S/N 5234 11001 & Above

S/N 5235 11001 & Above

S/N 5264 11001 & Above

S/N 5265 11001 & Above



A300 CONTENTS

MAINTENANCE ITEMS	11-18
MAINTENANCE ITEMS	11-12
SERVICE SCHEDULE ITEMS	13-18
MAIN FRAME	19-40
MAIN FRAME	19-20
OPERATOR CAB	21-26
SEAT & SEAT BAR	27-28
SEAT	29-30
REAR DOOR	31-32
LIFT ARMS & BOBTACH	33-34
BOB-TACH	35-36
PANELS	37-38
FUEL SYSTEM	39-40
DRIVE TRAIN	41-48
DRIVE TRAIN	41-42
MOTOR CARRIER	43-44
CHAINCASE COVERS	45-46
AXLE	47-48
HYDRAULIC SYSTEM	49-70
HYDRAULIC CIRCUITRY	49-50
LIFT & TILT CONTROL CIRCUITRY	51-52
AUXILIARY HYDRAULICS	53-54
TILT CYLINDER	55-56
LIFT CYLINDER	57-58
STEERING CYLINDER	59-60
MANUAL LIFT RELEASE VALVE	61-62
HYDRAULIC CONTROL VALVE	63-64
BICS CONTROL VALVE	65-68
BUCKET POSITIONING VALVE	69-70
HYDROSTATIC SYSTEM	71-106
HYDROSTATIC CIRCUITRY	71-82
HYDROSTATIC MOTOR & BRAKE	83-86
HYDROSTATIC PUMP	87-94
GEAR PUMP	95-96
STEERING VALVE	97-98
2-SPEED VALVE	99-100
HYDROSTATIC OIL FILTER	101-106
ELECTRICAL SYSTEM	107-118
CAB ELECTRICAL CIRCUITRY	107-108
CONTROLS ELECTRICAL	109-110
ENGINE ELECTRICAL	111-114
ALTERNATOR	115-116
STARTER	117-118
POWER UNIT	119-206
COOLING SYSTEM	119-122
ENGINE & ATTACHING PARTS	123-132
ENGINE SPEED CONTROL	133-134
COOLING FAN DRIVE ASSY.	135-136
ENGINE & GASKET KITS	137-138
MANIFOLDS	139-140
TURBOCHARGER	141-142
CYLINDER HEAD & COVER	143-144
CYLINDER HEAD	145-146
OIL PAN	147-148

A300 CONTENTS (Cont'd)

POWER UNIT (CONT'D)	119-206
PISTON & CRANKSHAFT	149-150
CAMSHAFT	151-152
FRONT COVER	153-154
WATER PUMP & THERMOSTAT	155-156
WATER PUMP	157-158
FUEL INJECTION SYSTEM	159-162
FUEL INJECTION PUMP	163-164
GOVERNOR	165-168
AIR CLEANER	169-170
* ENGINE	171-172
* MANIFOLDS	173-174
* TURBOCHARGER	175-176
* CYLINDER HEAD & COVER	177-178
* CYLINDER HEAD	179-180
* OIL PAN	181-182
* PISTON & CRANKSHAFT	183-184
* CAMSHAFT	185-186
* FRONT COVER	187-188
* WATER PUMP & THERMOSTAT	189-190
* WATER PUMP	191-192
* FUEL INJECTION SYSTEM	193-196
* FUEL INJECTION PUMP	197-198
* GOVERNOR	199-204
* AIR CLEANER	205-206
ACCESSORIES & OPTIONS	210-321
ACS CONVERSION KIT	210-211
ACCESS COVER	212-213
BACK-UP ALARM	214-215
BEACON	216-217
BLOCK HEATER	218-219
BUCKET POSITIONING KIT	220-221
CAB DOOR	222-233
CAB ENCLOSURE	234-237
CAB WINDOWS	238-241
ELECTRICAL CONNECTOR KIT	242-243
ELECTRICAL CONTROLS KIT	244-249
FIRE EXTINGUISHER	250-251
FLASHER LIGHTS	252-253
F.O.P.S. KIT	254-255
FRONT AUXILIARY	256-257
GAS SPRING KIT	258-259
HEATER & A/C	260-277
HORN KIT	278-279
LIFT KIT	280-283
LIGHT KIT	284-285
POWER BOB-TACH KIT	286-287
POWER BOB-TACH CYLINDER	288-289
POWER BOB-TACH	290-291
PURIFIER	292-293
RADIATOR SCREEN KIT	294-295
REAR AUXILIARY HYDRAULICS	296-297
REAR AUXILIARY VALVE	298-299
REAR DOOR LOCK	300-301
REAR WIPER	302-303

A300 CONTENTS (Cont'd)

ACCESSORIES & OPTIONS	210-321
SEAT	304-307
SEAT BELT	308-313
SOUND OPTION	314-315
STROBE LIGHT	316-317
TIRES & RIMS	318-319
BULK ITEMS	320-321

A300 CONTENTS

MAINTENANCE ITEMS	11-18
MAINTENANCE ITEMS	11-12
SERVICE SCHEDULE ITEMS	13-18
MAIN FRAME	19-40
MAIN FRAME	19-20
OPERATOR CAB	21-26
SEAT & SEAT BAR	27-28
SEAT	29-30
REAR DOOR	31-32
LIFT ARMS & BOBTACH	33-34
BOB-TACH	35-36
PANELS	37-38
FUEL SYSTEM	39-40
DRIVE TRAIN	41-48
DRIVE TRAIN	41-42
MOTOR CARRIER	43-44
CHAINCASE COVERS	45-46
AXLE	47-48
HYDRAULIC SYSTEM	49-70
HYDRAULIC CIRCUITRY	49-50
LIFT & TILT CONTROL CIRCUITRY	51-52
AUXILIARY HYDRAULICS	53-54
TILT CYLINDER	55-56
LIFT CYLINDER	57-58
STEERING CYLINDER	59-60
MANUAL LIFT RELEASE VALVE	61-62
HYDRAULIC CONTROL VALVE	63-64
BICS CONTROL VALVE	65-68
BUCKET POSITIONING VALVE	69-70
HYDROSTATIC SYSTEM	71-106
HYDROSTATIC CIRCUITRY	71-82
HYDROSTATIC MOTOR & BRAKE	83-86
HYDROSTATIC PUMP	87-94
GEAR PUMP	95-96
STEERING VALVE	97-98
2-SPEED VALVE	99-100
HYDROSTATIC OIL FILTER	101-106
ELECTRICAL SYSTEM	107-118
CAB ELECTRICAL CIRCUITRY	107-108
CONTROLS ELECTRICAL	109-110
ENGINE ELECTRICAL	111-114
ALTERNATOR	115-116
STARTER	117-118
POWER UNIT	119-206
COOLING SYSTEM	119-122
ENGINE & ATTACHING PARTS	123-132
ENGINE SPEED CONTROL	133-134
COOLING FAN DRIVE ASSY.	135-136
ENGINE & GASKET KITS	137-138
MANIFOLDS	139-140
TURBOCHARGER	141-142
CYLINDER HEAD & COVER	143-144
CYLINDER HEAD	145-146
OIL PAN	147-148

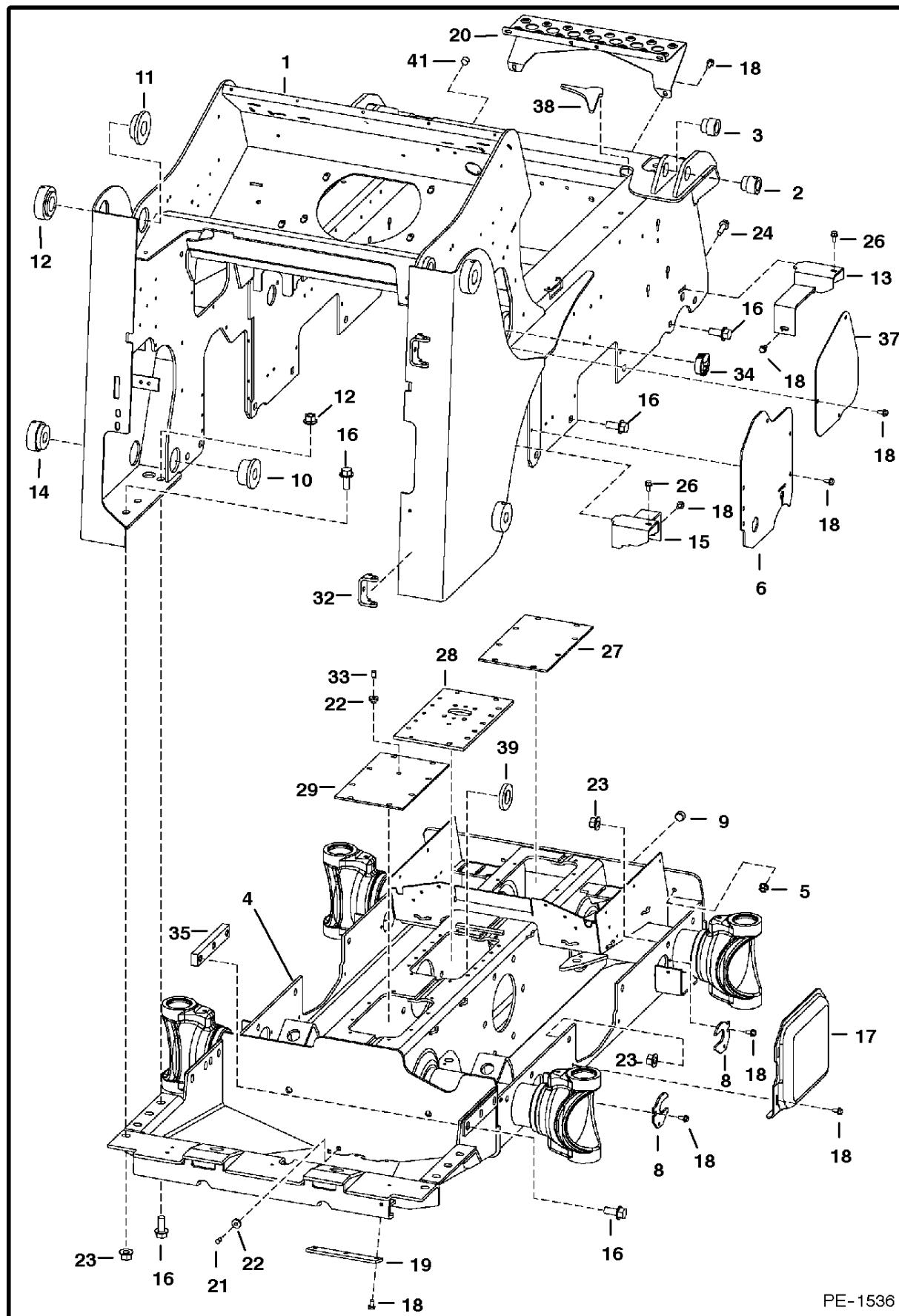
A300 CONTENTS (Cont'd)

POWER UNIT (CONT'D)	119-206
PISTON & CRANKSHAFT	149-150
CAMSHAFT	151-152
FRONT COVER	153-154
WATER PUMP & THERMOSTAT	155-156
WATER PUMP	157-158
FUEL INJECTION SYSTEM	159-162
FUEL INJECTION PUMP	163-164
GOVERNOR	165-168
AIR CLEANER	169-170
* ENGINE	171-172
* MANIFOLDS	173-174
* TURBOCHARGER	175-176
* CYLINDER HEAD & COVER	177-178
* CYLINDER HEAD	179-180
* OIL PAN	181-182
* PISTON & CRANKSHAFT	183-184
* CAMSHAFT	185-186
* FRONT COVER	187-188
* WATER PUMP & THEMOSTAT	189-190
* WATER PUMP	191-192
* FUEL INJECTION SYSTEM	193-196
* FUEL INJECTION PUMP	197-198
* GOVERNOR	199-204
* AIR CLEANER	205-206
ACCESSORIES & OPTIONS	210-321
ACS CONVERSION KIT	210-211
ACCESS COVER	212-213
BACK-UP ALARM	214-215
BEACON	216-217
BLOCK HEATER	218-219
BUCKET POSITIONING KIT	220-221
CAB DOOR	222-233
CAB ENCLOSURE	234-237
CAB WINDOWS	238-241
ELECTRICAL CONNECTOR KIT	242-243
ELECTRICAL CONTROLS KIT	244-249
FIRE EXTINGUISHER	250-251
FLASHER LIGHTS	252-253
F.O.P.S. KIT	254-255
FRONT AUXILIARY	256-257
GAS SPRING KIT	258-259
HEATER & A/C	260-277
HORN KIT	278-279
LIFT KIT	280-283
LIGHT KIT	284-285
POWER BOB-TACH KIT	286-287
POWER BOB-TACH CYLINDER	288-289
POWER BOB-TACH	290-291
PURIFIER	292-293
RADIATOR SCREEN KIT	294-295
REAR AUXILIARY HYDRAULICS	296-297
REAR AUXILIARY VALVE	298-299
REAR DOOR LOCK	300-301
REAR WIPER	302-303

A300 CONTENTS (Cont'd)

ACCESSORIES & OPTIONS	210-321
SEAT	304-307
SEAT BELT	308-313
SOUND OPTION	314-315
STROBE LIGHT	316-317
TIRES & RIMS	318-319
BULK ITEMS	320-321

MAIN FRAME

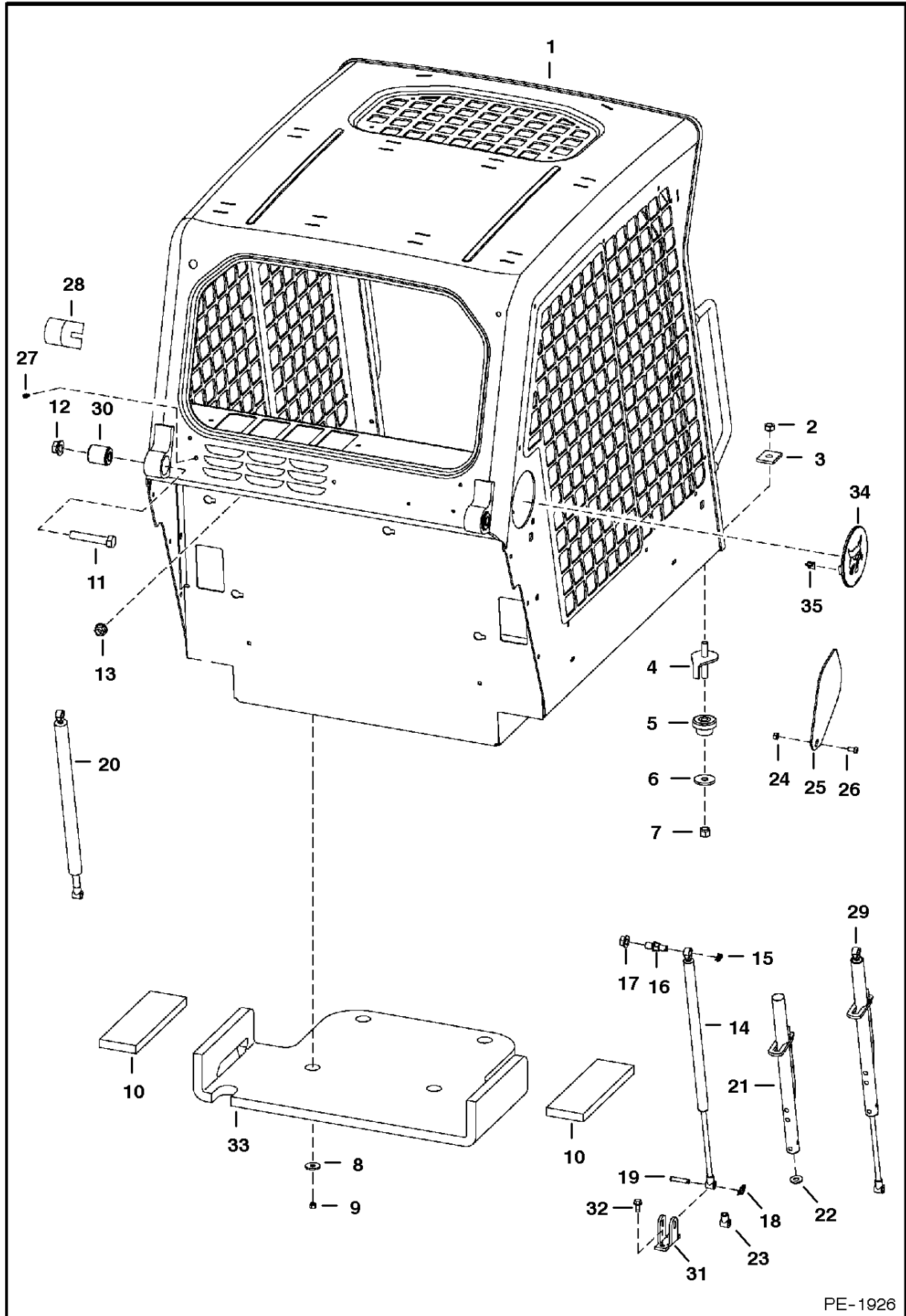


PE-1536

MAIN FRAME

Ref.N°	Part N°	Description	Remarks	Serial N°	Qty.
1	6731768	MAIN FRAME			1
2	6717277	BUSHING	weldAon		2
3	6717278	BUSHING	weldAon		2
4		CHAINCASE	See Page DRIVE TRAIN(1) - frame only		1
5	83D-8	NUT			4
6	6736768	COVER			2
7	83D-12	NUT			19
8	6731052	COVER			4
9	6731121	PLUG	chaincase fill		1
10	6730785	BUSHING	inside upright weldAon		2
11	6729401	BUSHING	inside upright weldAon		2
12	6729402	BUSHING	outside upright weldAon		2
13	6731354	SHIELD	front - R.H.		1
13	6731353	SHIELD	front - L.H.		1
14	6730784	BUSHING	outside upright weldAon		2
15	6731782	SHIELD	rear - R.H.		1
15	6731783	SHIELD	rear - L.H.		1
16	31C-1228	BOLT			24
17	6719168	COVER			2
18	84G-3712	BOLT			32
19	6700182	COVER	drain		1
20	6732577	STEP			1
21	6599645	PLUG	chaincase drain		1
22	6553411	BUSHING			2
23	53D-12	NUT			18
24	31C-824	BOLT			4
25	6679966	PLUG	.687' diameter hole		8
26	35C-612	BOLT			4
27		COVER	See Page CHAINCASE COVERS(3)		1
28		COVER	See Page CHAINCASE COVERS(3)		1
29		COVER	See Page CHAINCASE COVERS(3)		1
30		BREATHER	See Page CHAINCASE COVERS(3)		1
31	6706485	HOOK	tie down - weldAon		2
32	6708987	BRACKET	weldAon		2
33	6678796	PLUG			1
34	6718796	PLUG			1
35	6706857	BLOCK	threaded		2
36	84G-3708	BOLT			4
37	6730783	COVER			2
38	6733917	GUSSET			2
39	6680055	MAGNET			2

OPERATOR CAB

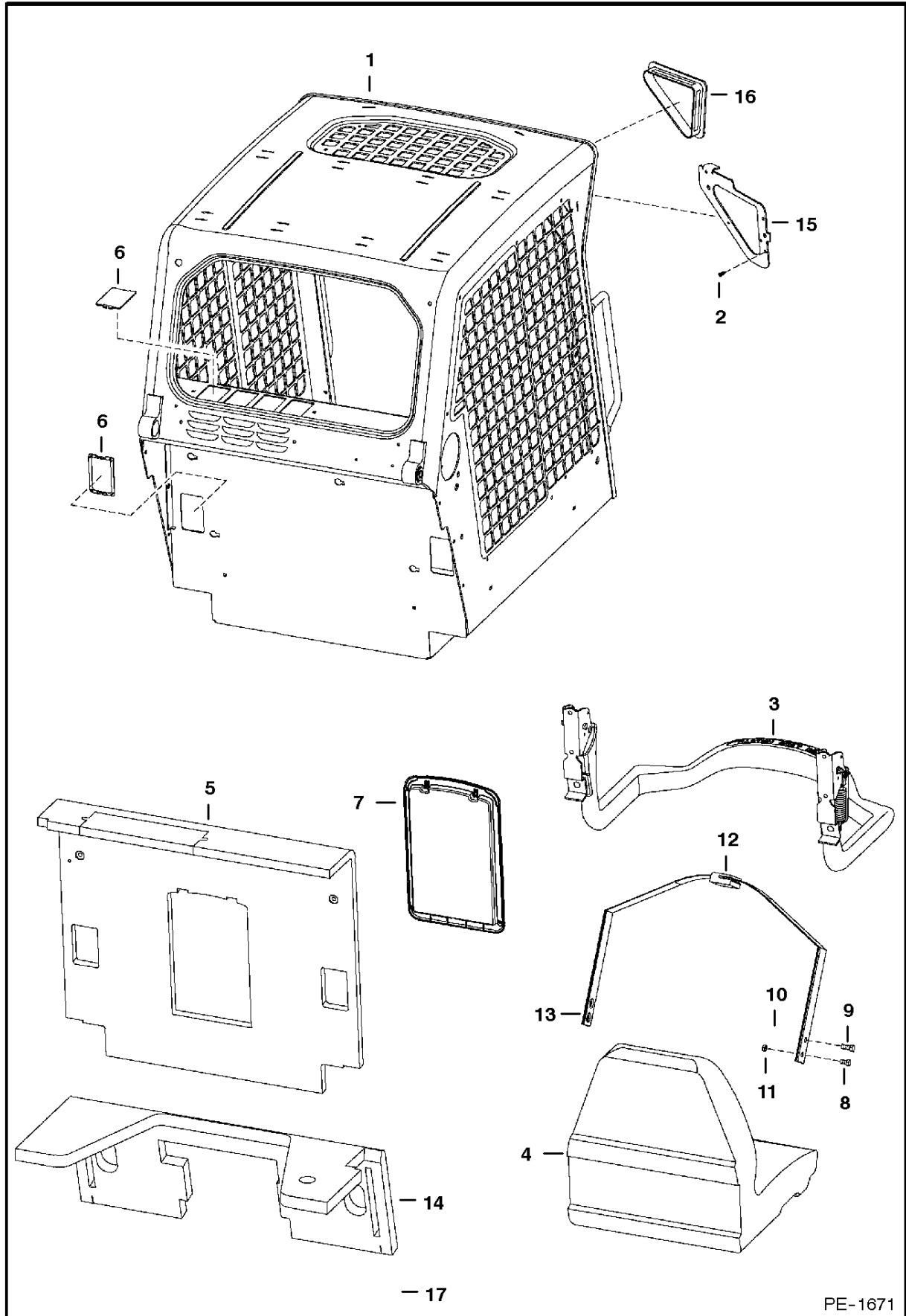


PE-1926

OPERATOR CAB

Ref.N°	Part N°	Description	Remarks	Serial N°	Qty.
1	6719672	OPERATOR CAB	includes cab decals		1
2	59D-8	NUT			2
3	6553709	WASHER	rectangular		2
4	6702971	BOLT			2
5	6560633	MOUNT			2
6	6515817	WASHER			2
7	85D-8	NUT			2
8	619021	WASHER			4
9	59D-5	NUT			4
10	6729012	INSULATION	seat pan		2
11	17C-1056	BOLT			2
12	53D-10	NUT			2
13	53D-6	NUT			4
14	6675135	GAS SPRING	R.H.		1
15	6675140	SNAP RING			2
16	6719064	MOUNT			2
17	97D-8	NUT			2
18	6631418	PIN	ring		2
19	6567743	PIN			2
20	6675134	GAS SPRING	L.H.		1
20	6675136	GAS SPRING	L.H. - for cab W/ enclosure		1
21	6708189	TUBE	stop - R.H.		1
22	6701174	WASHER			1
23	6675257	ROD END			1
24	95D-5	NUT			2
25	6718784	COVER			2
26	25G-512	BOLT			2
27	6675033	INSERT			x
28	6579613	STOP			2
29	NAP	GAS SPRING	R.H. - W/ latch - Order Ref. OPERATOR CAB(14) & OPERATOR CAB(21)-OPERATOR CAB(23)		1
30	6562602	BUSHING			2
31	6706349	MOUNT	gas spring		2
32	84G-3112	BOLT			4
33	6729013	INSULATION	seat pan		1
34	6733107	PLUG	W/Ref. OPERATOR CAB(35)		2
35	6679990	CLIP			6

OPERATOR CAB

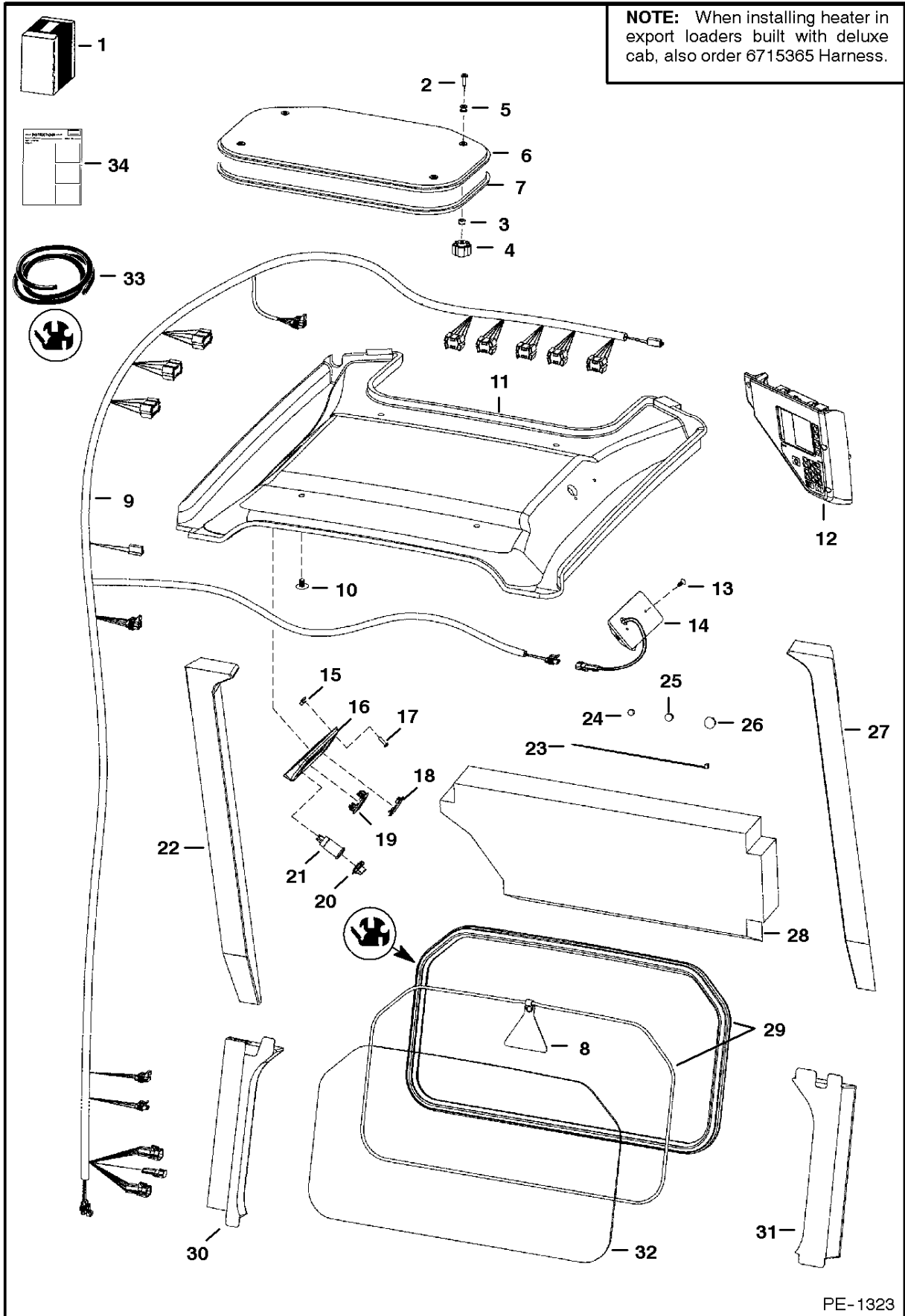


OPERATOR CAB

Ref.N°	Part N°	Description	Remarks	Serial N°	Qty.
1	6719672	OPERATOR CAB	does not include cab decals		1
2	6675033	INSERT			6
3		SEAT BAR	See Page SEAT & SEAT BAR(3)		1
4		SEAT	See Page SEAT(1) & SEAT(3)		1
5	6717516	INSULATION			1
6	6718101	COVER			6
7	6719503	CONTAINER	manuals		1
7	6675524	CLIP			2
7	6725301	COVER			1
7	6725303	FRAME			1
8	17C-612	BOLT			2
9	17C-716	BOLT			2
10	85D-7	NUT			2
11	85D-6	NUT			2
12	6675074	SEAT BELT			1
13	6725373	SPRING PLATE			2
14	6716800	INSULATION			1
15	NSS	FRAME	L.H. - weldAon		1
15	NSS	FRAME	R.H. - weldAon		1
16	6674403	COVER	no lights		2
17	6701674	INSULATION			1

OPERATOR CAB

NOTE: When installing heater in export loaders built with deluxe cab, also order 6715365 Harness.

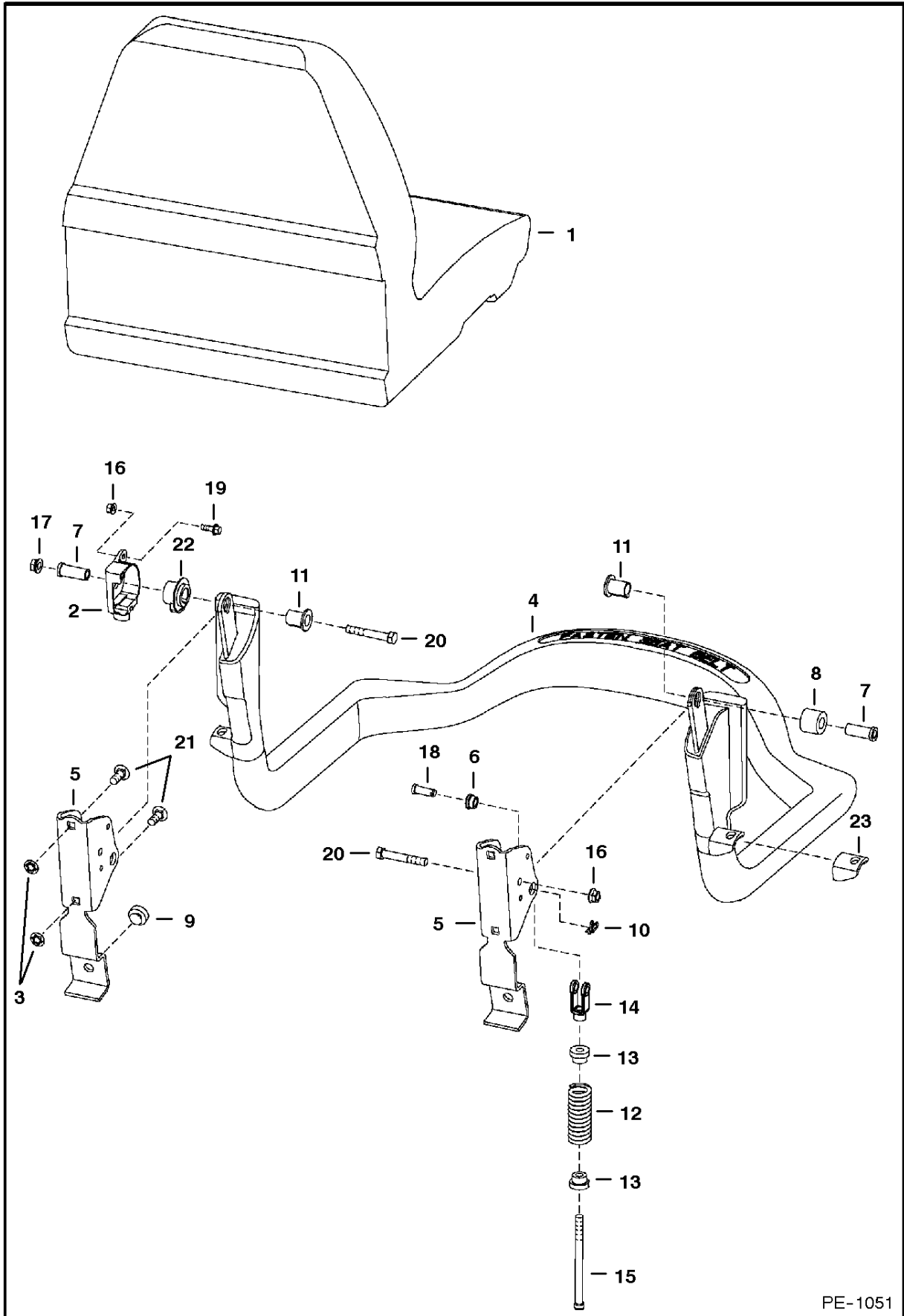


PE-1323

OPERATOR CAB

Ref.N°	Part N°	Description	Remarks	Serial N°	Qty.
1	6729233	KIT	deluxe cab		1
2	91G-420	BOLT			4
3	6664085	BUSHING	nylon		4
4	6681614	KNOB	11/16' deep thread		4
5	6675545	GROMMET			4
6	6728629	WINDOW	assy. - W/ seal & grommets		1
7	NAP	SEAL	%Order Ref. OPERATOR CAB(6)		1
8	6559515	EXIT TAG			1
9	6727190	HARNESS	deluxe accessories		1
9	6715365	HARNESS	accessories - export - not in kit		1
10	6674895	RETAINER	snap in		4
11	6717515	INSULATION	headliner		1
12	6683395	PANEL	R.H. - deluxe - keyless - not in kit - export		1
13	6664221	RETAINER	snap in		2
14	6680326	LIGHT	dome		1
14	6665367	BULB			1
15	6669091	CLIP			4
16	6718580	PANEL			1
17	6669224	BOLT			4
18	6665314	PLUG	switch		5
19	6668742	SWITCH	travel control - export		1
20	6664224	CAP			1
21	6664223	OUTLET			1
22	6717519	INSULATION			1
23	6610510	NYLON TIE			6
24	5289686	PLUG	black - .375' hole		1
25	6649949	PLUG	.5' hole		2
26	6657719	PLUG	.75' hole		1
27	6717520	INSULATION			1
28	6727299	INSULATION	cab back		1
29	NAP	EXTRUSION	75.75' (1924mm) long - Order Ref. OPERATOR CAB(3 3)		x
29	NAP	CORD	75.75' (1924mm) long - Order Ref. OPERATOR CAB(3 3)		x
30	6717517	INSULATION			1
31	6717518	INSULATION			1
32	6717874	WINDOW	rear		1
33	6675387	SEA;	bulk - Sold Per Foot		x
33	6554149	CORD	bulk - Sold Per Foot		x
34	6900851	INSTRUCTIONS			1

SEAT & SEAT BAR



PE-1051



Download the full PDF manual instantly.

Our customer service e-mail:

aservicemanualpdf@yahoo.com