

T250

T250



Bobcat®

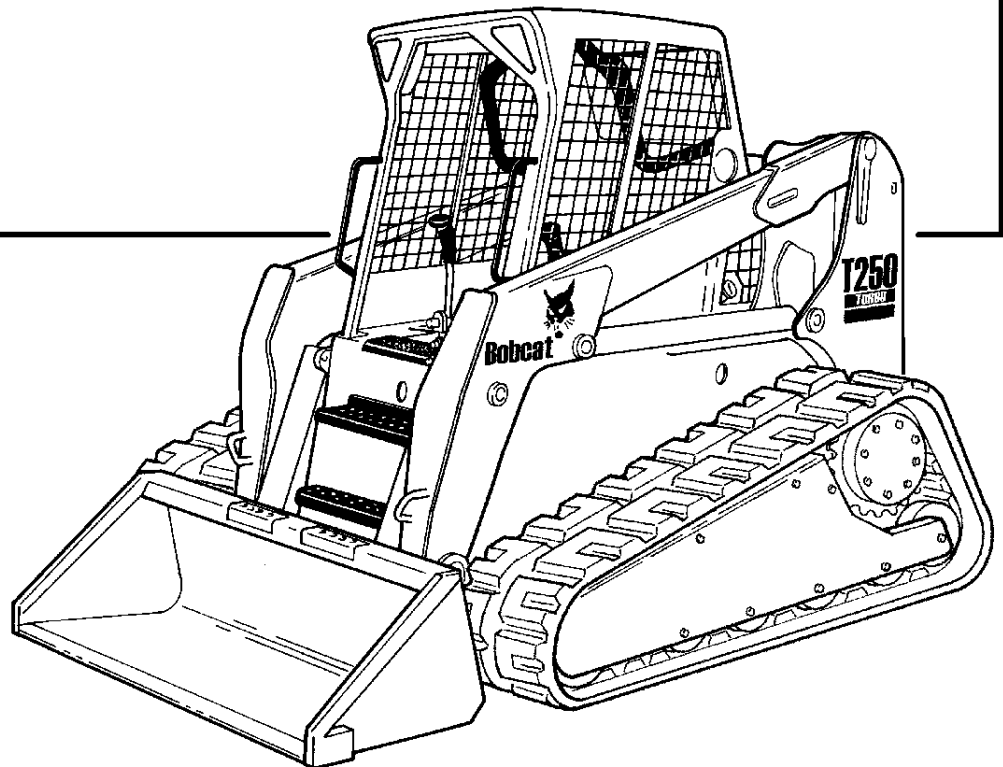
Parts Manual

S/N 5231 11001 & Above

S/N 5230 11001 & Above

S/N 5256 11001 & Above

S/N 5257 11001 & Above



An  Ingersoll-Rand business

Printed in U.S.A.

T250 CONTENTS

| | |
|---|----------------|
| MAINTENANCE ITEMS | 11-18 |
| MAINTENANCE ITEMS | 11-12 |
| SERVICE SCHEDULE ITEMS | 13-18 |
| MAIN FRAME | 19-44 |
| MAIN FRAME | 19-20 |
| OPERATOR CAB | 21-26 |
| SEAT & SEAT BAR | 27-28 |
| SEAT | 29-32 |
| REAR DOOR | 33-34 |
| LIFT ARMS & BOBTACH | 35-36 |
| BOB-TACH | 37-38 |
| PANELS | 39-42 |
| FUEL SYSTEM | 43-44 |
| DRIVE TRAIN | 45-54 |
| DRIVE TRAIN | 45-46 |
| TRACK TENSIONER | 47-48 |
| FRONT IDLER | 49-50 |
| REAR IDLER | 51-52 |
| TRACK ROLLER | 53-54 |
| HYDRAULIC SYSTEM | 55-80 |
| HYDRAULIC CIRCUITRY | 55-56 |
| LIFT & TILT CONTROL CIRCUITRY | 57-58 |
| AUXILIARY HYDRAULICS | 59-60 |
| TILT CYLINDER | 61-62 |
| LIFT CYLINDER | 63-64 |
| MANUAL LIFT RELEASE VALVE | 65-66 |
| CONTROL PEDALS | 67-68 |
| HYDRAULIC CONTROL VALVE | 69-72 |
| BICS CONTROL VALVE | 73-74 |
| HYDRAULIC CONTROL VALVE | 75-78 |
| BUCKET POSITIONING VALVE | 79-80 |
| HIGH HORSEPOWER HYDRAULICS | 81-86 |
| HIGH HORSEPOWER HYDRAULICS | 81-86 |
| HYDROSTATIC SYSTEM | 87-122 |
| HYDROSTATIC CIRCUITRY | 87-92 |
| HAND CONTROLS | 93-94 |
| HYDROSTATIC MOTOR & BRAKE | 95-98 |
| HYDROSTATIC PUMP | 97-112 |
| GEAR PUMP | 113-117 |
| HYDROSTATIC OIL FILTER | 117-120 |
| BRAKE VALVE | 121-122 |
| ELECTRICAL SYSTEM | 123-144 |
| CAB ELECTRICAL CIRCUITRY | 123-124 |
| ENGINE ELECTRICAL | 125-128 |
| CONTROLS ELECTRICAL | 129-140 |
| ALTERNATOR | 141-142 |
| STARTER | 143-144 |
| POWER UNIT | 145-236 |
| COOLING SYSTEM | 145-150 |
| ENGINE & ATTACHING PARTS | 151-160 |
| ENGINE SPEED CONTROL | 161-164 |
| COOLING FAN DRIVE ASSY. | 165-166 |
| ENGINE & GASKET KITS | 167-168 |
| MANIFOLDS | 169-170 |

T250 CONTENTS (Cont'd)

| | |
|--|----------------|
| POWER UNIT (CONT'D) | 145-236 |
| TURBOCHARGER | 171-172 |
| CYLINDER HEAD & COVER | 173-174 |
| CYLINDER HEAD | 175-176 |
| OIL PAN | 177-178 |
| PISTON & CRANKSHAFT | 179-180 |
| CAMSHAFT | 181-182 |
| FRONT COVER | 183-184 |
| WATER PUMP & THERMOSTAT | 185-186 |
| WATER PUMP | 187-188 |
| FUEL INJECTION SYSTEM | 189-192 |
| FUEL INJECTION PUMP | 193-194 |
| GOVERNOR | 195-198 |
| AIR CLEANER | 199-200 |
| * ENGINE | 201-202 |
| * MANIFOLDS | 203-204 |
| * TURBOCHARGER | 205-206 |
| * CYLINDER HEAD & COVER | 207-208 |
| * CYLINDER HEAD | 209-210 |
| * OIL PAN | 211-212 |
| * PISTON & CRANKSHAFT | 213-214 |
| * CAMSHAFT | 215-216 |
| * FRONT COVER | 217-218 |
| * WATER PUMP & THERMOSTAT | 219-220 |
| * WATER PUMP | 221-222 |
| * FUEL INJECTION SYSTEM | 223-226 |
| * FUEL INJECTION PUMP | 227-228 |
| * GOVERNOR | 229-234 |
| * AIR CLEANER | 235-236 |
| ACCESSORIES & OPTIONS | 240-351 |
| ACS CONVERSION KIT | 240-241 |
| BACK-UP ALARM KIT | 242-245 |
| BEACON | 246-247 |
| BLOCK HEATER | 248-249 |
| BUCKET POSITIONING KIT | 250-251 |
| CAB DOOR | 252-261 |
| CAB ENCLOSURE | 262-265 |
| CAB WINDOWS | 266-269 |
| DEBRIS SHIELD KIT | 270-271 |
| ELECTRICAL CONNECTOR KIT | 272-273 |
| ELECTRICAL CONTROLS KIT | 274-277 |
| EUROPEAN ACCESSORIES | 278-281 |
| FIRE EXTINGUISHER | 282-283 |
| FLASHER LIGHTS | 284-285 |
| F.O.P.S. KIT | 286-287 |
| FRONT AUXILIARY | 288-289 |
| GAS SPRING KIT | 290-291 |
| HEATER & A/C | 292-309 |
| HORN KIT | 310-313 |
| LIFT KIT | 314-317 |
| LIGHT KIT | 318-319 |
| NOISE REDUCTION KIT | 320-321 |
| POWER BOB-TACH KIT | 322-323 |
| POWER BOB-TACH CYLINDER | 324-325 |
| POWER BOB-TACH | 326-327 |

T250 CONTENTS (Cont'd)

| | |
|---|----------------|
| ACCESSORIES & OPTIONS (CONT'D) | 240-351 |
| PURIFIER | 328-329 |
| RADIATOR SCREEN KIT | 330-331 |
| REAR AUXILIARY HYDRAULICS | 332-333 |
| REAR AUXILIARY VALVE | 334-335 |
| REAR DOOR LOCK | 336-337 |
| REAR WIPER | 338-339 |
| SEAT BELT | 340-345 |
| STEERING DAMPENING KIT | 346-347 |
| STROBE LIGHT | 348-349 |
| BULK ITEMS | 350-351 |

T250 CONTENTS

| | |
|---|----------------|
| MAINTENANCE ITEMS | 11-18 |
| MAINTENANCE ITEMS | 11-12 |
| SERVICE SCHEDULE ITEMS | 13-18 |
| MAIN FRAME | 19-44 |
| MAIN FRAME | 19-20 |
| OPERATOR CAB | 21-26 |
| SEAT & SEAT BAR | 27-28 |
| SEAT | 29-32 |
| REAR DOOR | 33-34 |
| LIFT ARMS & BOBTACH | 35-36 |
| BOB-TACH | 37-38 |
| PANELS | 39-42 |
| FUEL SYSTEM | 43-44 |
| DRIVE TRAIN | 45-54 |
| DRIVE TRAIN | 45-46 |
| TRACK TENSIONER | 47-48 |
| FRONT IDLER | 49-50 |
| REAR IDLER | 51-52 |
| TRACK ROLLER | 53-54 |
| HYDRAULIC SYSTEM | 55-80 |
| HYDRAULIC CIRCUITRY | 55-56 |
| LIFT & TILT CONTROL CIRCUITRY | 57-58 |
| AUXILIARY HYDRAULICS | 59-60 |
| TILT CYLINDER | 61-62 |
| LIFT CYLINDER | 63-64 |
| MANUAL LIFT RELEASE VALVE | 65-66 |
| CONTROL PEDALS | 67-68 |
| HYDRAULIC CONTROL VALVE | 69-72 |
| BICS CONTROL VALVE | 73-74 |
| HYDRAULIC CONTROL VALVE | 75-78 |
| BUCKET POSITIONING VALVE | 79-80 |
| HIGH HORSEPOWER HYDRAULICS | 81-86 |
| HIGH HORSEPOWER HYDRAULICS | 81-86 |
| HYDROSTATIC SYSTEM | 87-122 |
| HYDROSTATIC CIRCUITRY | 87-92 |
| HAND CONTROLS | 93-94 |
| HYDROSTATIC MOTOR & BRAKE | 95-98 |
| HYDROSTATIC PUMP | 97-112 |
| GEAR PUMP | 113-117 |
| HYDROSTATIC OIL FILTER | 117-120 |
| BRAKE VALVE | 121-122 |
| ELECTRICAL SYSTEM | 123-144 |
| CAB ELECTRICAL CIRCUITRY | 123-124 |
| ENGINE ELECTRICAL | 125-128 |
| CONTROLS ELECTRICAL | 129-140 |
| ALTERNATOR | 141-142 |
| STARTER | 143-144 |
| POWER UNIT | 145-236 |
| COOLING SYSTEM | 145-150 |
| ENGINE & ATTACHING PARTS | 151-160 |
| ENGINE SPEED CONTROL | 161-164 |
| COOLING FAN DRIVE ASSY. | 165-166 |
| ENGINE & GASKET KITS | 167-168 |
| MANIFOLDS | 169-170 |

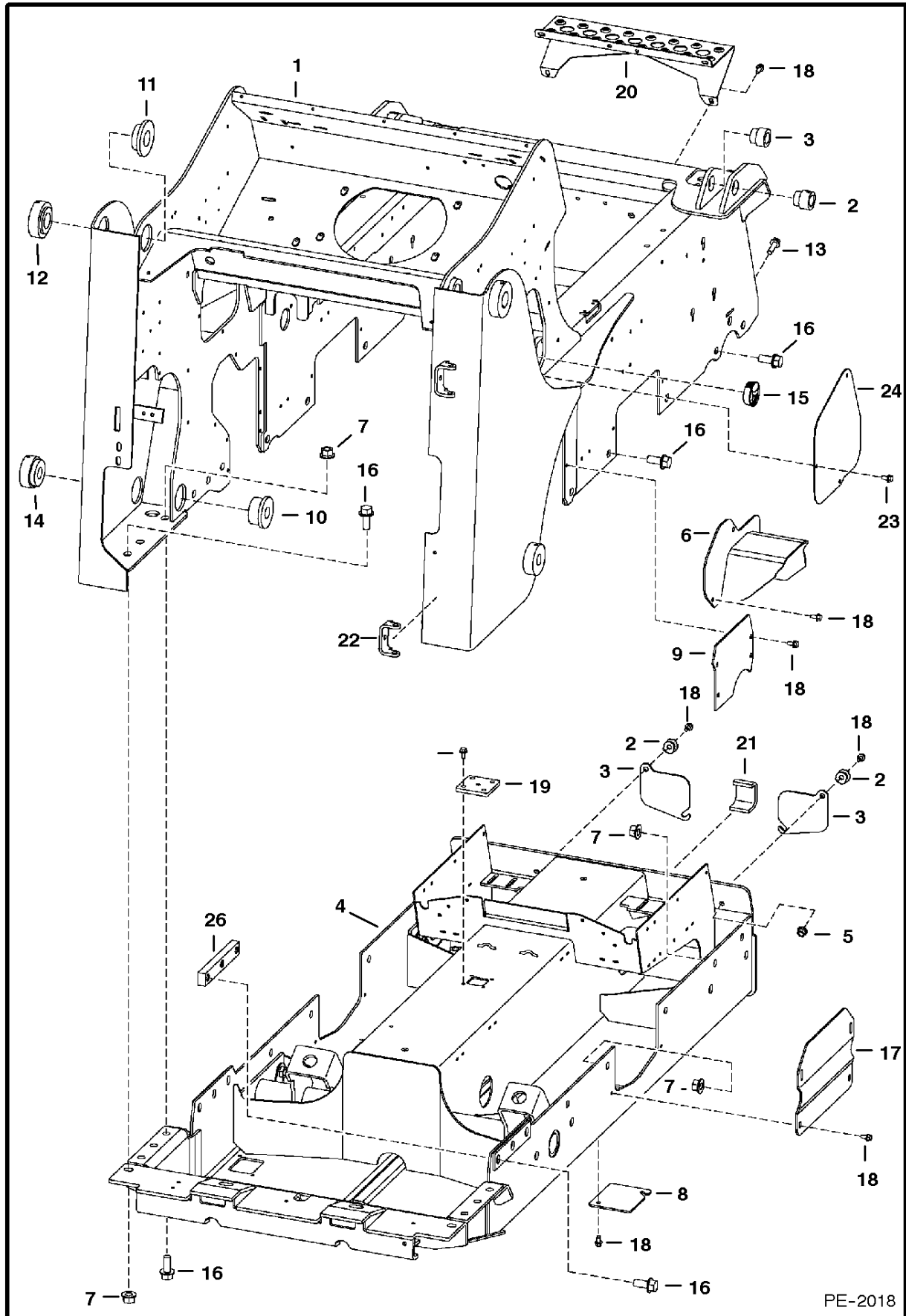
T250 CONTENTS (Cont'd)

| | |
|--|----------------|
| POWER UNIT (CONT'D) | 145-236 |
| TURBOCHARGER | 171-172 |
| CYLINDER HEAD & COVER | 173-174 |
| CYLINDER HEAD | 175-176 |
| OIL PAN | 177-178 |
| PISTON & CRANKSHAFT | 179-180 |
| CAMSHAFT | 181-182 |
| FRONT COVER | 183-184 |
| WATER PUMP & THERMOSTAT | 185-186 |
| WATER PUMP | 187-188 |
| FUEL INJECTION SYSTEM | 189-192 |
| FUEL INJECTION PUMP | 193-194 |
| GOVERNOR | 195-198 |
| AIR CLEANER | 199-200 |
| * ENGINE | 201-202 |
| * MANIFOLDS | 203-204 |
| * TURBOCHARGER | 205-206 |
| * CYLINDER HEAD & COVER | 207-208 |
| * CYLINDER HEAD | 209-210 |
| * OIL PAN | 211-212 |
| * PISTON & CRANKSHAFT | 213-214 |
| * CAMSHAFT | 215-217 |
| * FRONT COVER | 217-218 |
| * WATER PUMP & THERMOSTAT | 219-220 |
| * WATER PUMP | 221-222 |
| * FUEL INJECTION SYSTEM | 223-226 |
| * FUEL INJECTION PUMP | 227-228 |
| * GOVERNOR | 229-234 |
| * AIR CLEANER | 235-236 |
| ACCESSORIES & OPTIONS | 240-351 |
| ACS CONVERSION KIT | 240-241 |
| BACK-UP ALARM KIT | 242-245 |
| BEACON | 246-247 |
| BLOCK HEATER | 248-249 |
| BUCKET POSITIONING KIT | 250-251 |
| CAB DOOR | 252-261 |
| CAB ENCLOSURE | 262-265 |
| CAB WINDOWS | 266-269 |
| DEBRIS SHIELD KIT | 270-271 |
| ELECTRICAL CONNECTOR KIT | 272-273 |
| ELECTRICAL CONTROLS KIT | 274-277 |
| EUROPEAN ACCESSORIES | 278-281 |
| FIRE EXTINGUISHER | 282-283 |
| FLASHER LIGHTS | 284-285 |
| F.O.P.S. KIT | 286-287 |
| FRONT AUXILIARY | 288-289 |
| GAS SPRING KIT | 290-291 |
| HEATER & A/C | 292-309 |
| HORN KIT | 310-313 |
| LIFT KIT | 314-317 |
| LIGHT KIT | 318-319 |
| NOISE REDUCTION KIT | 320-321 |
| POWER BOB-TACH KIT | 322-323 |
| POWER BOB-TACH CYLINDER | 324-325 |
| POWER BOB-TACH | 326-327 |

T250 CONTENTS (Cont'd)

| | |
|---|----------------|
| ACCESSORIES & OPTIONS (CONT'D) | 240-351 |
| PURIFIER | 328-329 |
| RADIATOR SCREEN KIT | 330-331 |
| REAR AUXILIARY HYDRAULICS | 332-333 |
| REAR AUXILIARY VALVE | 334-335 |
| REAR DOOR LOCK | 336-337 |
| REAR WIPER | 338-339 |
| SEAT BELT | 340-345 |
| STEERING DAMPENING KIT | 346-347 |
| STROBE LIGHT | 348-349 |
| BULK ITEMS | 350-351 |

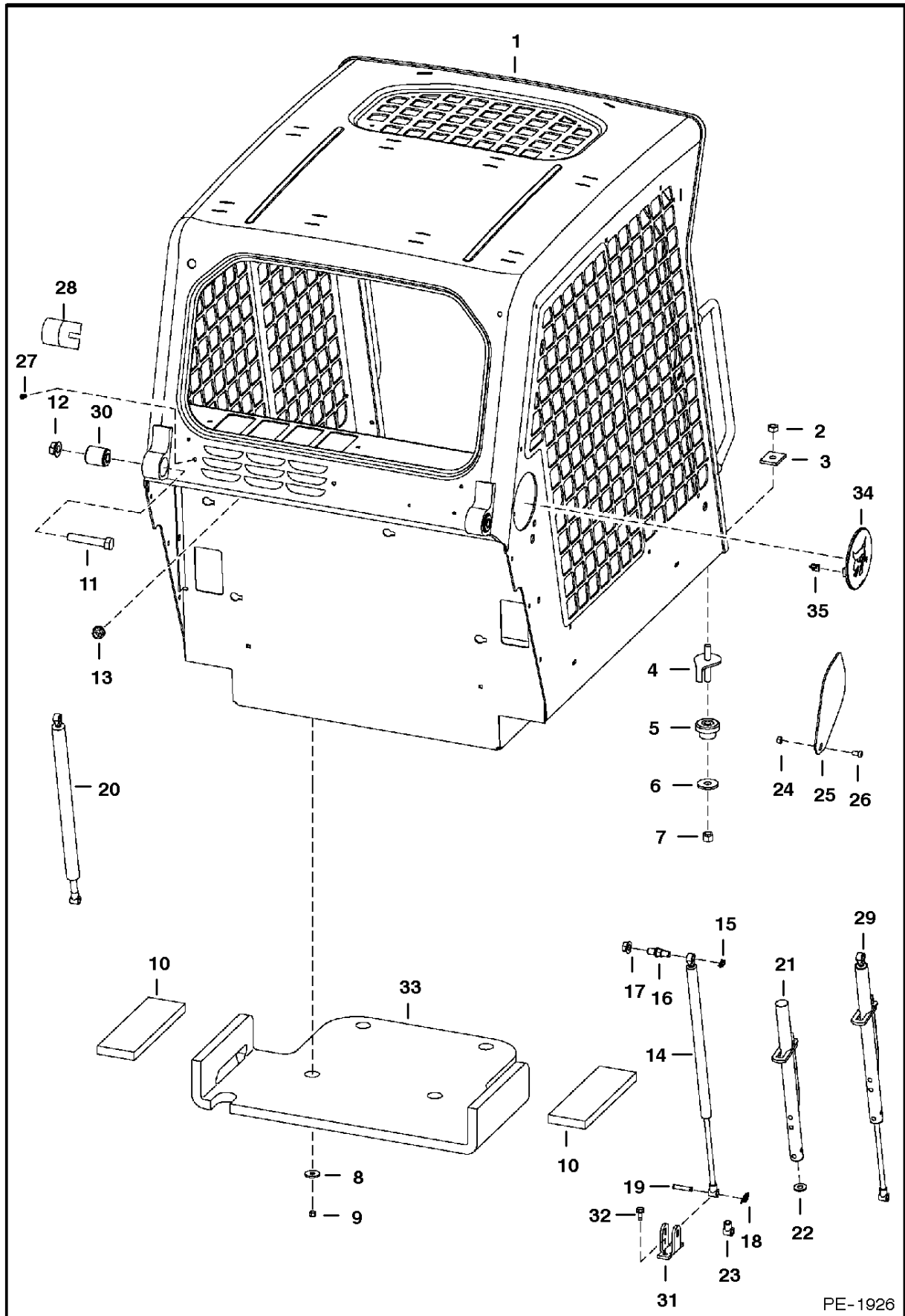
MAIN FRAME



MAIN FRAME

| Ref.N° | Part N° | Description | Remarks | Serial N° | Qty. |
|--------|----------|-------------|--------------------------------------|-----------|------|
| 1 | 6733718 | MAIN FRAME | | | 1 |
| 2 | 6562619 | BUSHING | | | 2 |
| 3 | 6577812 | COVER | | | 2 |
| 4 | | DRIVECASE | See Page DRIVE TRAIN(1) - frame only | | 1 |
| 5 | 83D-8 | NUT | | | 4 |
| 6 | 6736769 | COVER | R.H. | | 1 |
| 6 | 6736770 | COVER | L.H. | | 1 |
| 7 | 83D-12 | NUT | | | 19 |
| 8 | 6716010 | COVER | | | 8 |
| 9 | 6736772 | COVER | | | 2 |
| 10 | 6730785 | BUSHING | inside upright weldAon | | 2 |
| 11 | 6729401 | BUSHING | inside upright weldAon | | 2 |
| 12 | 6729402 | BUSHING | outside upright weldAon | | 2 |
| 13 | 31C-824 | BOLT | | | 4 |
| 14 | 6730784 | BUSHING | outside upright weldAon | | 2 |
| 15 | 6718796 | PLUG | Bobcat head | | 1 |
| 16 | 31C-1228 | BOLT | | | 24 |
| 17 | 6719201 | COVER | | | 2 |
| 18 | 84G-3712 | BOLT | | | 27 |
| 19 | 6730378 | COVER | | | 1 |
| 20 | 6732577 | STEP | | | 1 |
| 21 | 6706485 | HOOK | tie down - weldAon | | 2 |
| 22 | 6708987 | BRACKET | weldAon | | 2 |
| 23 | 84G-3708 | BOLT | | | 4 |
| 24 | 6733740 | COVER | | | 2 |
| 25 | 6729774 | COVER | | | 2 |
| 26 | 6706857 | BLOCK | threaded | | 2 |

OPERATOR CAB



PE-1926

OPERATOR CAB

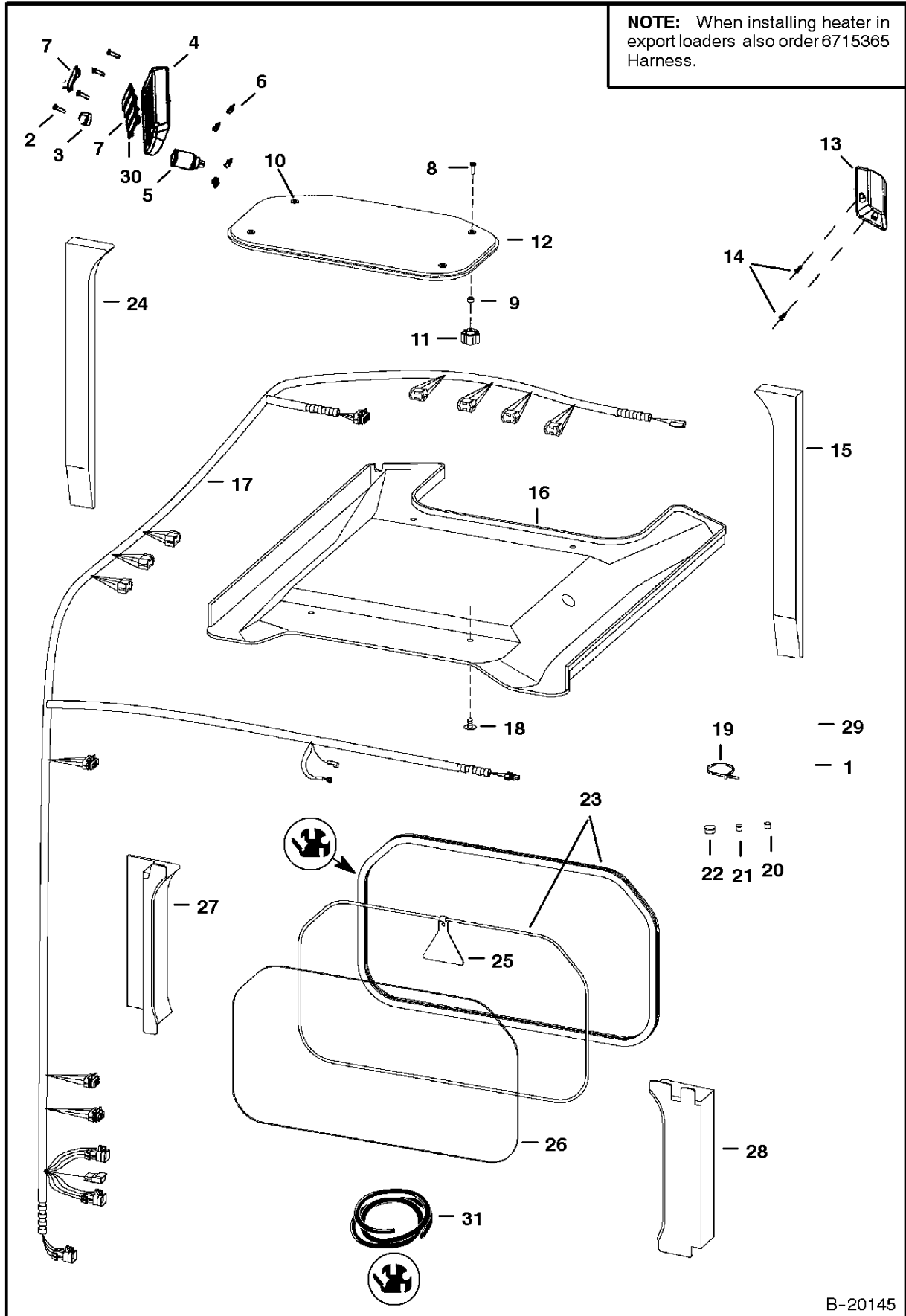
| Ref.N° | Part N° | Description | Remarks | Serial N° | Qty. |
|--------|----------|--------------|---|-----------|------|
| 1 | 6719672 | OPERATOR CAB | does not include cab decals | | 1 |
| 2 | 59D-8 | NUT | | | 2 |
| 3 | 6553709 | WASHER | rectangular | | 2 |
| 4 | 6702971 | BOLT | | | 2 |
| 5 | 6560633 | MOUNT | | | 2 |
| 6 | 6515817 | WASHER | | | 2 |
| 7 | 85D-8 | NUT | | | 2 |
| 8 | 619021 | WASHER | | | 4 |
| 9 | 59D-5 | NUT | | | 4 |
| 10 | 6729012 | INSULATION | seat pan | | 2 |
| 11 | 17C-1056 | BOLT | | | 2 |
| 12 | 53D-10 | NUT | | | 2 |
| 13 | 53D-6 | NUT | | | 4 |
| 14 | 6675135 | GAS SPRING | R.H. | | 1 |
| 15 | 6675140 | SNAP RING | | | 2 |
| 16 | 6719064 | MOUNT | | | 2 |
| 17 | 97D-8 | NUT | | | 2 |
| 18 | 6631418 | PIN | ring | | 2 |
| 19 | 6567743 | PIN | | | 2 |
| 20 | 6675137 | GAS SPRING | L.H. | | 1 |
| 20 | 6675139 | GAS SPRING | L.H. - for cab W/ enclosure | | 1 |
| 21 | 6708189 | TUBE | stop - R.H. | | 1 |
| 22 | 6701174 | WASHER | | | 1 |
| 23 | 6675258 | CLEVIS | | | 1 |
| 24 | 95D-5 | NUT | | | 2 |
| 25 | 6718784 | COVER | | | 2 |
| 26 | 25G-512 | BOLT | | | 2 |
| 27 | 6675033 | INSERT | | | x |
| 28 | 6579613 | STOP | | | 2 |
| 29 | NAP | GAS SPRING | R.H. - W/ latch - Order Ref. OPERATOR CAB(14) & OPERATOR CAB(21)-OPERATOR CAB(23) | | 1 |
| 30 | 6562602 | BUSHING | | | 2 |
| 31 | 6706349 | MOUNT | gas spring | | 2 |
| 32 | 84G-3112 | BOLT | | | 4 |
| 33 | 6729013 | INSULATION | seat pan | | 1 |
| 34 | 6733107 | PLUG | W/ Bobcat head - W/Ref. OPERATOR CAB(35) | | 2 |
| 35 | 6679990 | CLIP | | | 6 |

OPERATOR CAB

| Ref.N° | Part N° | Description | Remarks | Serial N° | Qty. |
|--------|---------|--------------|-----------------------------|-----------|------|
| 1 | 6719672 | OPERATOR CAB | does not include cab decals | | 1 |
| 2 | 6675033 | INSERT | | | 6 |
| 3 | | SEAT BAR | See Page SEAT & SEAT BAR(2) | | 1 |
| 4 | | SEAT | See Page SEAT(3) | | 1 |
| 5 | 6717516 | INSULATION | | | 1 |
| 6 | 6718101 | COVER | | | 6 |
| 7 | 6719503 | CONTAINER | manuals | | 1 |
| 7 | 6675524 | CLIP | | | 2 |
| 7 | 6725301 | COVER | | | 1 |
| 7 | 6725303 | FRAME | | | 1 |
| 8 | 6716800 | INSULATION | | | 1 |
| 9 | NSS | FRAME | L.H. - weldAon | | 1 |
| 9 | NSS | FRAME | R.H. - weldAon | | 1 |
| 10 | 6674403 | COVER | no lights | | 2 |

OPERATOR CAB

NOTE: When installing heater in export loaders also order 6715365 Harness.

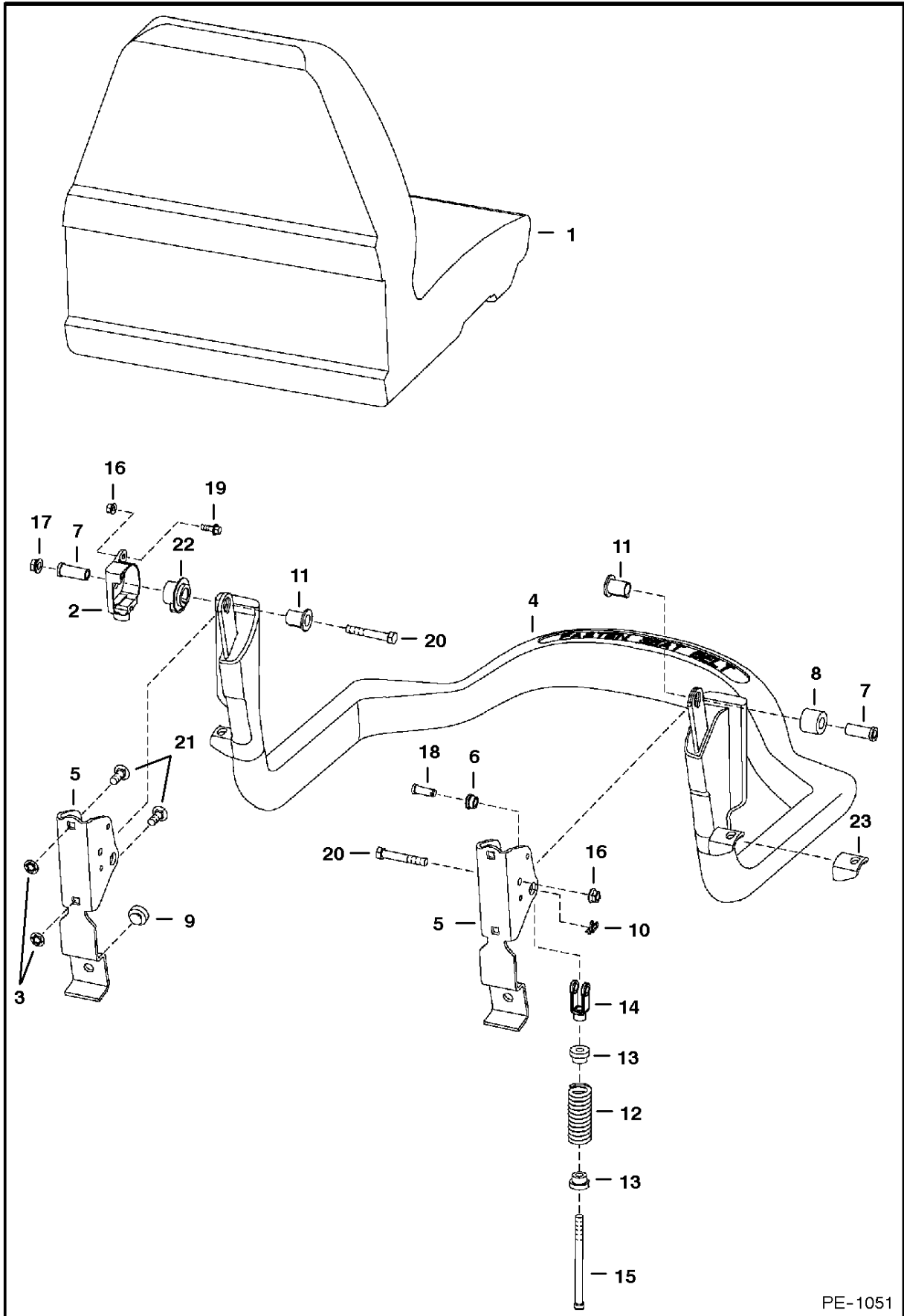


B-20145

OPERATOR CAB

| Ref.N° | Part N° | Description | Remarks | Serial N° | Qty. |
|--------|---------|-------------|--|-----------|------|
| 1 | 6727299 | INSULATION | cab back | | 1 |
| 2 | 6669224 | BOLT | | | 4 |
| 3 | 6664224 | CAP | | | 1 |
| 4 | 6718580 | PANEL | | | 1 |
| 5 | 6664223 | OUTLET | | | 1 |
| 6 | 6669091 | CLIP | | | 4 |
| 7 | 6665314 | PLUG | | | 5 |
| 8 | 91G-420 | BOLT | | | 4 |
| 9 | 6664085 | BUSHING | nylon | | 4 |
| 10 | 6675545 | GROMMET | | | 4 |
| 11 | 6681614 | KNOB | | | 4 |
| 12 | 6728629 | WINDOW | top - lexan - assy. - W/seal & grommets | | 1 |
| 13 | 6680326 | LIGHT | dome | | 1 |
| 13 | 6665367 | BULB | | | 1 |
| 14 | 6664221 | RETAINER | snap in | | 2 |
| 15 | 6717520 | INSULATION | | | 1 |
| 16 | 6717515 | INSULATION | headliner | | 1 |
| 17 | 6727190 | HARNESS | %accessories | | 1 |
| 17 | 6715365 | HARNESS | %accessories - Export - SEE NOTE | | 1 |
| 18 | 6674895 | RETAINER | snap in | | 4 |
| 19 | 6610510 | NYLON TIE | | | 6 |
| 20 | 5289686 | PLUG | black | | 5 |
| 21 | 6649949 | PLUG | | | 2 |
| 22 | 6657719 | PLUG | | | 1 |
| 23 | NAP | EXTRUSION | 75.75' (1924mm) long - Order Ref. OPERATOR CAB(31) | | x |
| 23 | NAP | CORD | 75.75' (1924mm) long - Order Ref. OPERATOR CAB(31) | | x |
| 24 | 6717519 | INSULATION | | | 1 |
| 25 | 6559515 | EXIT TAG | | | 1 |
| 26 | 6717874 | WINDOW | rear | | 1 |
| 27 | 6717517 | INSULATION | | | 1 |
| 28 | 6717518 | INSULATION | | | 1 |
| 29 | 6683395 | PANEL | R.H. - deluxe - keyless | | 1 |
| 30 | 6668742 | SWITCH | travel control - Export | | 1 |
| 31 | 6675387 | SEA; | bulk - Sold Per Foot | | x |
| 31 | 6554149 | CORD | bulk - Sold Per Foot | | x |

SEAT & SEAT BAR

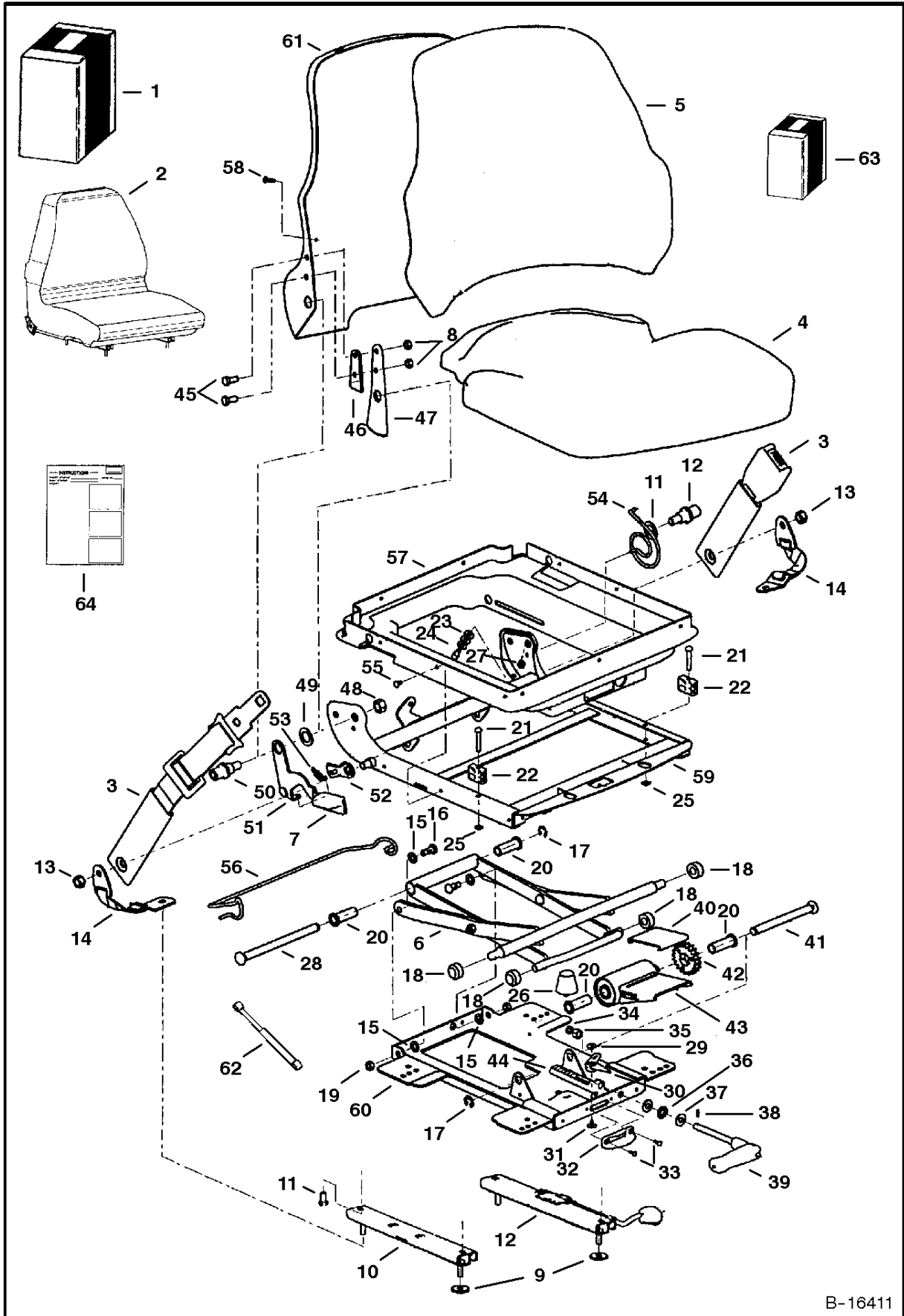


PE-1051

SEAT & SEAT BAR

| Ref.N° | Part N° | Description | Remarks | Serial N° | Qty. |
|--------|---------|-------------|-------------------------------|-----------|------|
| 1 | | SEAT | See Page SEAT(3) | | 1 |
| 2 | 6674406 | SENSOR | | | 1 |
| 3 | 6684033 | NUT | | | 4 |
| 4 | 6715860 | SEAT BAR | | | 1 |
| 5 | 6715863 | BRACKET | | | 1 |
| 6 | 6715864 | BUSHING | | | 2 |
| 7 | 6715865 | BUSHING | | | 2 |
| 8 | 6715866 | BUSHING | | | 1 |
| 9 | 6519178 | BUMPER | | | 2 |
| 10 | 6631418 | PIN | ring | | 2 |
| 11 | 6664882 | BUSHING | keyed | | 2 |
| 12 | 6701535 | SPRING | | | 2 |
| 13 | 6710659 | BUSHING | | | 2 |
| 14 | 6713589 | CLEVIS | | | 2 |
| 15 | 6713887 | BOLT | | | 2 |
| 16 | 83D-4 | NUT | | | 1 |
| 17 | 53D-6 | NUT | | | 2 |
| 18 | 4F-6106 | PIN | | | 2 |
| 19 | 35C-412 | BOLT | | | 1 |
| 20 | 17C-640 | BOLT | | | 2 |
| 21 | 10C-616 | BOLT | | | 4 |
| 22 | 6674405 | BUSHING | | | 1 |
| 23 | NAP | MOUNT | Order Ref. SEAT & SEAT BAR(4) | | 2 |

SEAT (Suspension - Sears)



B-16411

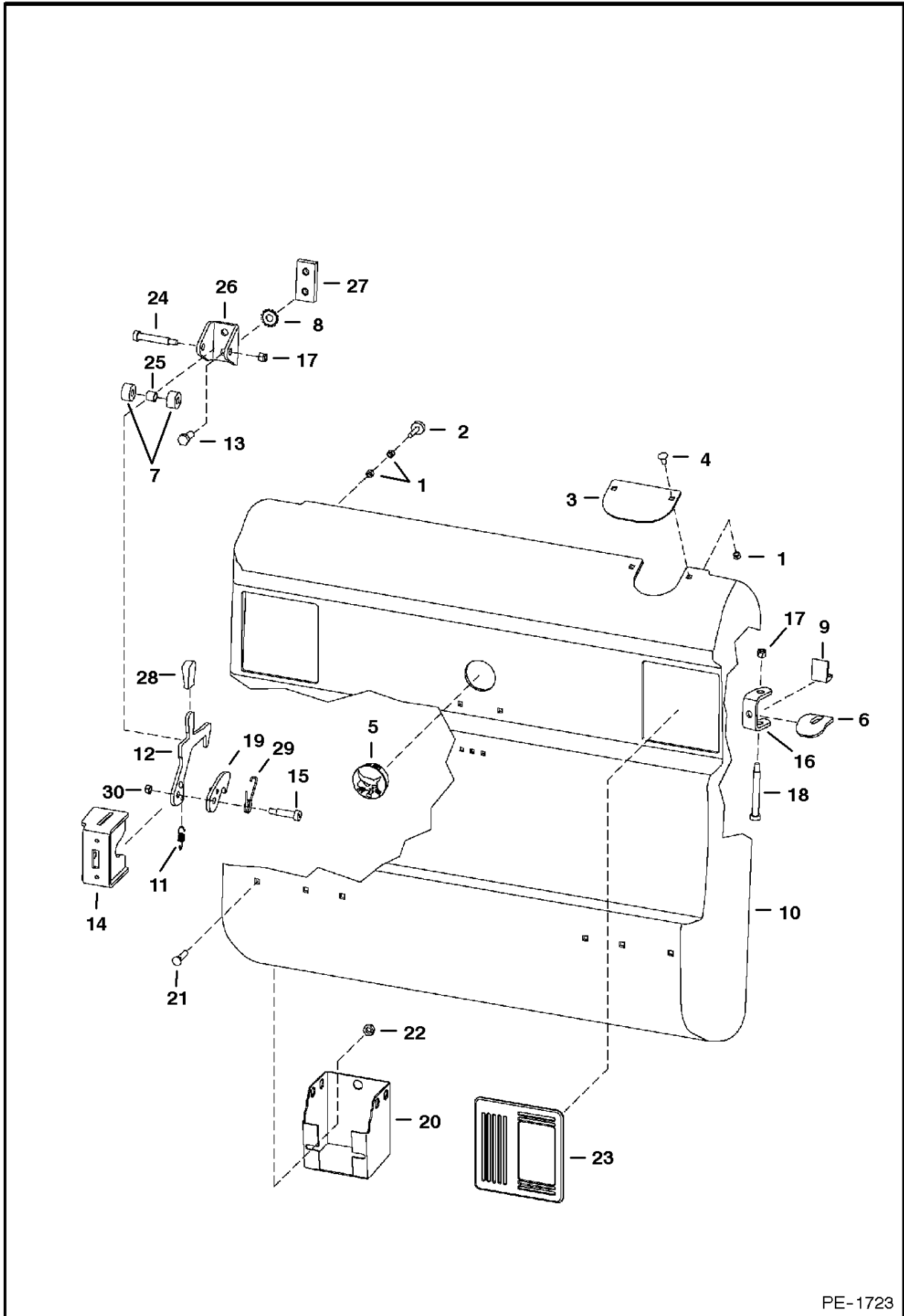
SEAT

| Ref.N° | Part N° | Description | Remarks | Serial N° | Qty. |
|--------|---------|-------------|---|-----------|------|
| 1 | NAP | KIT | vinyl seat - Order Ref. SEAT(2), SEAT(3) & SEAT(64) - Was 6718868 [A] | | 1 |
| 1 | NAP | KIT | fabric seat - Order Ref. SEAT(2), SEAT(3) & SEAT(64) - Was 6718869 [A]Ucom3WG }H~10{M | | x |
| 2 | 6675595 | SEAT | vinyl - L.H. recliner lever | | 1 |
| 2 | 6675596 | SEAT | fabric - L.H. recliner lever | | 1 |
| 3 | 6675170 | SEAT BELT | lap | | 1 |
| 4 | 6675320 | SEAT | seat - fabric | | 1 |
| 4 | 6675322 | SEAT | seat - vinyl | | 1 |
| 5 | 6675319 | SEAT | backrest - fabric - W/Ref. SEAT(58) | | 1 |
| 5 | 6675321 | SEAT | backrest - vinyl - W/Ref. SEAT(58) | | 1 |
| 6 | 6675317 | SCISSORS | | | 1 |
| 7 | 6675323 | KNOB | recliner | | 1 |
| 8 | NSS | NUT | | | 6 |
| 9 | 619021 | WASHER | | | 4 |
| 10 | NSS | SLIDE | slave | | 1 |
| 11 | NSS | BOLT | | | 4 |
| 12 | NSS | SLIDE | locking | | 1 |
| 13 | NSS | NUT | | | 2 |
| 14 | NSS | BELT | tether | | 2 |
| 15 | NSS | WASHER | cross pivot | | 4 |
| 16 | NSS | BOLT | pivot | | 2 |
| 17 | NSS | RING | retaining | | 2 |
| 18 | NSS | ROLLER | | | 4 |
| 19 | NSS | NUT | | | 2 |
| 20 | NSS | BUSHING | wt adjustment | | 4 |
| 21 | NSS | RIVET | | | 2 |
| 22 | NSS | BLOCK | up stop | | 2 |
| 23 | NSS | WASHER | | | 3 |
| 24 | NSS | STOP | armrest | | 1 |
| 25 | NSS | PUSHNUT | | | 2 |
| 26 | NSS | BUMPER | | | 1 |
| 27 | NSS | NUT | | | 1 |
| 28 | NSS | SHAFT | bearing | | 1 |
| 29 | NSS | RIVET | female snap | | 1 |
| 30 | NSS | INDICATOR | weight | | 1 |
| 31 | NSS | RIVET | male snap | | 1 |
| 32 | NSS | DIAL | weight indicator | | 1 |
| 33 | NSS | POP RIVET | | | 2 |
| 34 | NSS | SPACER | | | 1 |
| 35 | NSS | NUT | | | 1 |
| 36 | NSS | BEARING | thrust | | 1 |
| 37 | NSS | RACE | thrust | | 2 |
| 38 | NSS | SHEAR PIN | | | 1 |
| 39 | NSS | HANDLE | weight adjustment | | 1 |
| 40 | NSS | PLATE | wear | | 1 |
| 41 | NSS | SHAFT | torsion | | 1 |
| 42 | NSS | DRIVE GEAR | | | 1 |
| 43 | NSS | BUSHING | torsion | | 1 |
| 44 | NSS | RACK | wt adjustment | | 1 |
| 45 | NSS | BOLT | | | 2 |
| 46 | NSS | SPACER | recliner | | 1 |
| 47 | NSS | BRACKET | back tilt | | 1 |
| 48 | NSS | NUT | | | 2 |
| 49 | NSS | WASHER | plastic | | 2 |
| 50 | NSS | BOSS | back pan pivot | | 2 |

SEAT

| Ref.N° | Part N° | Description | Remarks | Serial N° | Qty. |
|--------|---------|--------------|---|-----------|------|
| 51 | NSS | HANDLE | recliner (RH) | | 1 |
| 52 | NSS | LATCH | recliner | | 1 |
| 53 | NSS | SPRING | extension | | 1 |
| 54 | NSS | SPRING | tilt latch | | 1 |
| 55 | NSS | CLIP | | | 6 |
| 56 | NSS | WIRE | boot support | | 1 |
| 57 | NSS | SUSPENSION | boot | | 1 |
| 58 | NSS | SCREW | | | 2 |
| 59 | NSS | HOUSING | upper | | 1 |
| 60 | NSS | HOUSING | lower | | 1 |
| 61 | NSS | BACK PAN | | | 1 |
| 62 | 6676338 | GAS SPRING | | | 1 |
| 63 | 6675309 | KIT | slides - W/Ref. SEAT(8)-SEAT(12) | | 1 |
| 63 | 6675310 | KIT | tether belt - W/Ref. SEAT(9), SEAT(13) & SEAT(14) | | 1 |
| 63 | 6675311 | KIT | suspension rollers & bearings - W/Ref. SEAT(15)-SEAT(20) | | 1 |
| 63 | 6675312 | KIT | suspension bumpers & stops - W/Ref. SEAT(21)-SEAT(27) | | 1 |
| 63 | 6675313 | KIT | rear tube - W/Ref. SEAT(17), SEAT(20) & SEAT(28) | | 1 |
| 63 | 6675314 | KIT | weight adj. indicator - W/Ref. SEAT(29)-SEAT(33) | | 1 |
| 63 | 6675315 | KIT | weight adj. handle - W/Ref. SEAT(34)-SEAT(39) | | 1 |
| 63 | 6675316 | KIT | weight adj. - W/Ref. SEAT(17), SEAT(20) & SEAT(40)-SEAT(44) | | 1 |
| 63 | 6675318 | KIT | R.H. recliner - W/Ref. SEAT(7),SEAT(8) & SEAT(45)-SEAT(54) | | 1 |
| 63 | 6676034 | KIT | L.H. recliner - W/Ref. SEAT(7),SEAT(8) & SEAT(45)-SEAT(54) | | 1 |
| 63 | 6675308 | KIT | susp. boot - W/Ref. SEAT(55)-SEAT(57) | | 1 |
| 64 | 6900861 | INSTRUCTIONS | | | 1 |

REAR DOOR

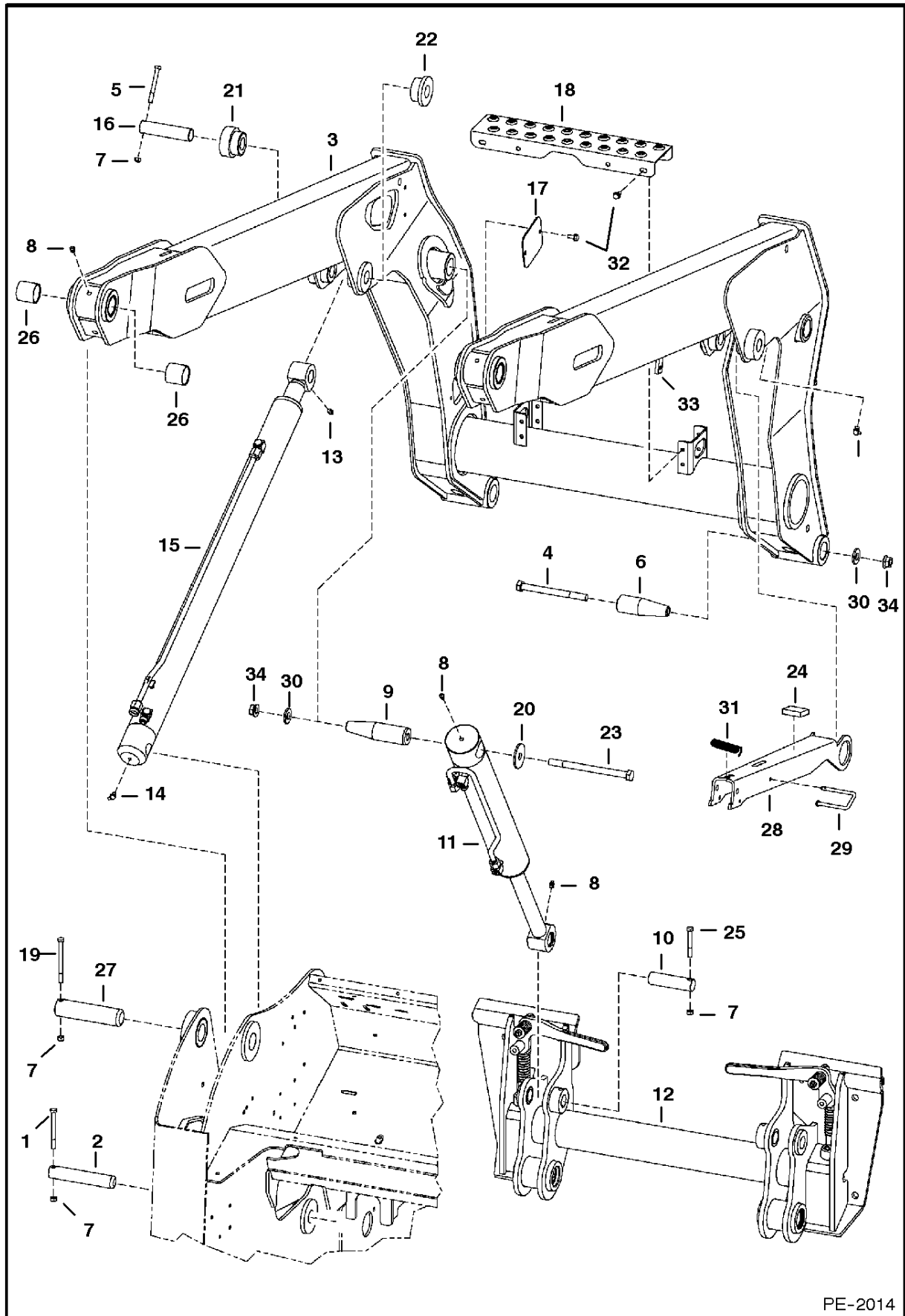


PE-1723

REAR DOOR

| Ref.N° | Part N° | Description | Remarks | Serial N° | Qty. |
|--------|---------|-------------|--|-----------|------|
| 1 | 61D-5 | NUT | | | 2 |
| 2 | 6733616 | BUMPER | | | 2 |
| 3 | 6714509 | COVER | exhaust | | 1 |
| 4 | 37C-512 | BOLT | | | 2 |
| 5 | 6718796 | PLUG | backAup alarm | | 1 |
| 6 | 6714126 | DOOR STOP | | | 1 |
| 7 | 6809726 | ROLLER | | | 2 |
| 8 | 6675273 | WASHER | lock | | 2 |
| 9 | 6719766 | STOP | | | 1 |
| 10 | 6729991 | REAR DOOR | W/Ref. REAR DOOR(11), REAR DOOR(12), REAR DOOR(14)-REAR DOOR(16), REAR DOOR(19), REAR DOOR(29) & REAR DOOR(30) | | 1 |
| 11 | 6810141 | SPRING | | | 1 |
| 12 | 6732715 | LATCH | | | 1 |
| 13 | 17C-820 | BOLT | | | 2 |
| 14 | 6729939 | LATCH PLATE | weldAon | | 1 |
| 15 | 38C-824 | SCREW | | | 1 |
| 16 | 6711526 | HINGE | weldAon | | 2 |
| 17 | 59D-6 | NUT | | | 3 |
| 18 | 6809845 | SCREW | | | 2 |
| 19 | 6811910 | LATCH | | | 1 |
| 20 | 6715318 | TOOL HOLDER | Europe | | 1 |
| 21 | 37C-612 | BOLT | | | 2 |
| 22 | 55D-6 | NUT | | | 2 |
| 23 | 6670287 | COVER | | | 2 |
| 24 | 38C-840 | BOLT | carriage | | 1 |
| 25 | 6809734 | BUSHING | striker | | 1 |
| 26 | 6809727 | CHANNEL | | | 1 |
| 27 | 6719525 | BAR | threaded striker | | 1 |
| 28 | 6564452 | GRIP | | | 1 |
| 29 | 6810132 | SPRING | | | 1 |
| 30 | 85D-6 | NUT | | | 1 |

LIFT ARMS & BOBTACH

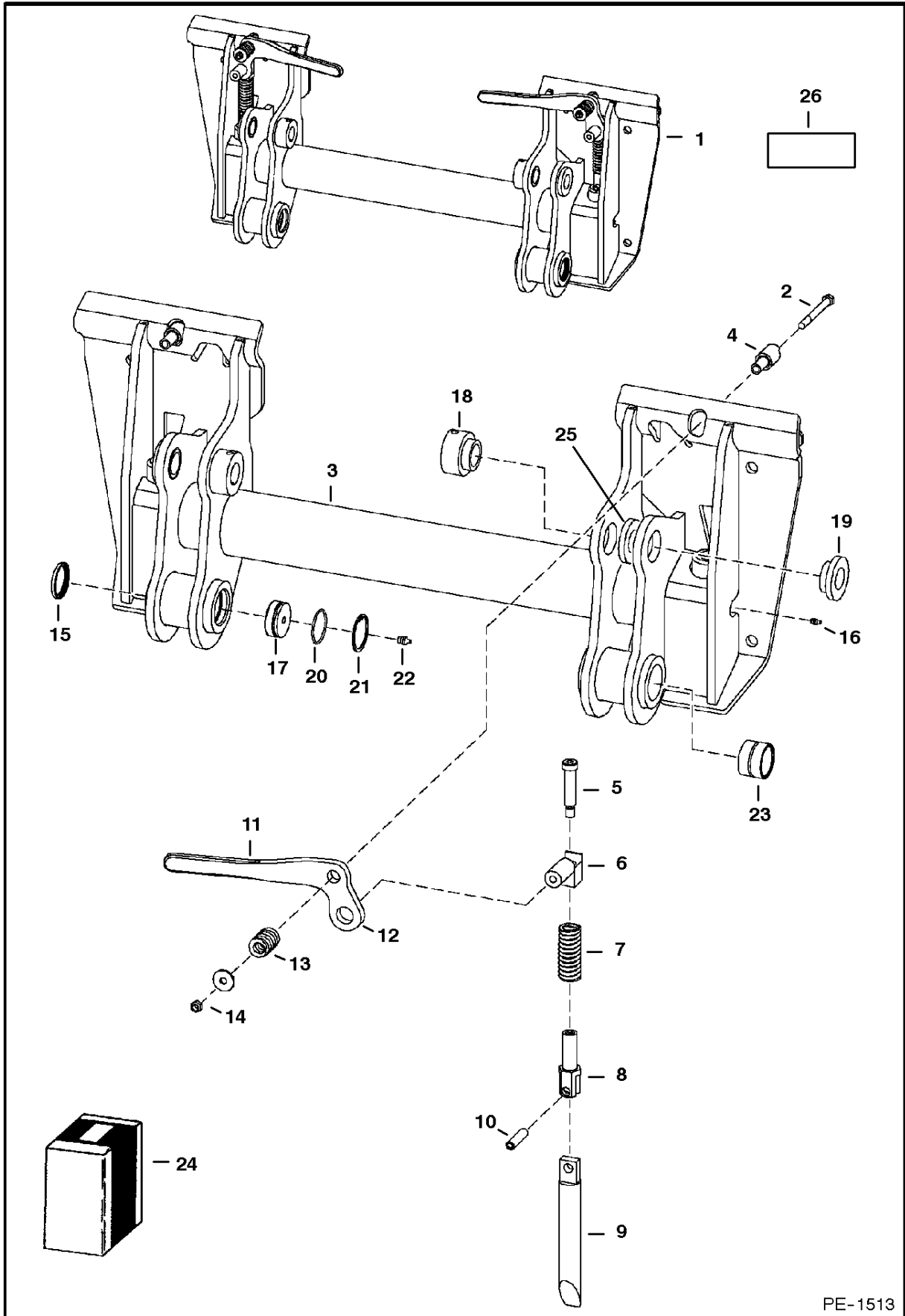


PE-2014

LIFT ARMS & BOBTACH

| Ref.N° | Part N° | Description | Remarks | Serial N° | Qty. |
|--------|-----------|---------------|----------------------------------|-----------|------|
| 1 | 17C-664 | BOLT | | | 2 |
| 2 | 6730887 | PIN | | | 2 |
| 3 | 6733707 | LIFT ARM | | | 1 |
| 4 | 17C-10112 | BOLT | | | 2 |
| 5 | 17C-656 | BOLT | | | 2 |
| 6 | 6729358 | PIN | | | 2 |
| 7 | 85D-6 | NUT | | | 8 |
| 8 | 10H-25 | GREASE ZERK | | | 6 |
| 9 | 6728971 | PIN | | | 2 |
| 10 | 6577954 | PIN | | | 2 |
| 11 | | CYLINDER | tilt - See Page TILT CYLINDER(2) | | 2 |
| 12 | | BOB-TACH | See Page BOB-TACH(4) | | 1 |
| 13 | 12H-15 | GREASE ZERK | | | 2 |
| 14 | 11H-15 | GREASE ZERK | | | 2 |
| 15 | | CYLINDER | lift - See Page LIFT CYLINDER(3) | | 2 |
| 16 | 6729007 | PIN | | | 2 |
| 17 | 6731179 | COVER | | | 1 |
| 18 | 6729888 | STEP | | | 1 |
| 19 | 17C-672 | BOLT | | | 2 |
| 20 | 6731160 | WASHER | | | 2 |
| 21 | 6729005 | BUSHING | weldAon | | 2 |
| 22 | 6735946 | BUSHING | weldAon | | 2 |
| 23 | 17C-10136 | BOLT | | | 2 |
| 24 | 6704436 | PAD | rubber - self adhesive | | 1 |
| 25 | 17C-648 | BOLT | | | 1 |
| 26 | 6730995 | BUSHING | | | 2 |
| 27 | 6728819 | PIN | | | 2 |
| 28 | 6736732 | LIFT ARM STOP | assy | | 1 |
| 29 | 6714810 | PIN | retainer | | 1 |
| 30 | 27E-10 | WASHER | | | 4 |
| 31 | 6579072 | SPRING | | | 1 |
| 32 | 84G-3112 | BOLT | | | 6 |
| 33 | 6705091 | TAB | weldAon | | 1 |
| 34 | 57D-10 | NUT | | | 4 |

BOB-TACH

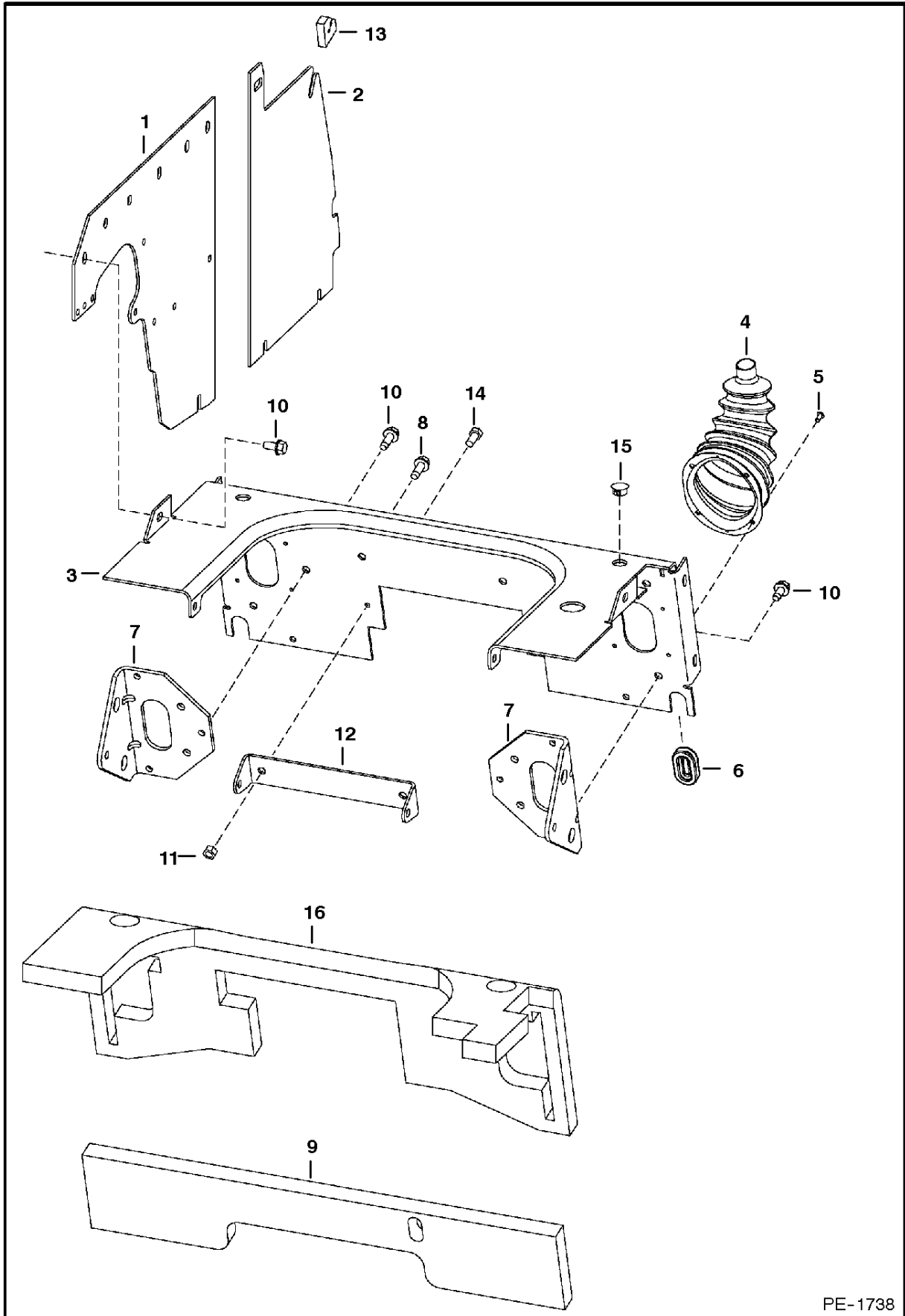


PE-1513

BOB-TACH

| Ref.N° | Part N° | Description | Remarks | Serial N° | Qty. |
|--------|-----------|-------------|--|-----------|------|
| 1 | 6729029 | BOB-TACH | Ref. BOB-TACH (2)-BOB-TACH (22) - also Order Ref. BOB-TACH (26) | | 1 |
| 2 | 17C-660 | BOLT | | | 2 |
| 3 | NAP | FRAME | | | 1 |
| 4 | 6702958 | BUSHING | weldAon | | 2 |
| 5 | 6728473 | SCREW | shoulder | | 2 |
| 6 | 6731119 | PIVOT ASSY | | | 2 |
| 7 | 6562018 | SPRING | | | 2 |
| 8 | 6704248 | PIVOT | wedge | | 2 |
| 9 | 6704242 | WEDGE ASSY. | | | 2 |
| 10 | 14J-5032 | PIN | | | 2 |
| 11 | 6702904 | LEVER | R.H. | | 1 |
| 11 | 6702903 | LEVER | L.H. | | 1 |
| 12 | 6713040 | SPRING | | | 2 |
| 13 | 619021 | WASHER | | | 2 |
| 14 | 85D-6 | NUT | | | 2 |
| 15 | 6678960 | SEAL | | | 2 |
| 16 | 10H-35 | GREASE ZERK | | | 2 |
| 17 | 6729491 | PLUG | | | 2 |
| 18 | 6717260 | BUSHING | weldAon | | 2 |
| 19 | 6717259 | BUSHING | weldAon | | 2 |
| 20 | 25K-30126 | O-RING | | | 2 |
| 21 | 7JM-50 | SNAP RING | | | 2 |
| 22 | 10H-25 | GREASE ZERK | | | 2 |
| 23 | 6718329 | BUSHING | wear | | 2 |
| 24 | 6724775 | LEVER KIT | R.H. Bob-tach - Ref. BOB-TACH (2) & BOB-TACH (5) - BOB-TACH (14) | | 1 |
| 24 | 6724776 | LEVER KIT | L.H. Bob-tach - Ref. BOB-TACH (2) & BOB-TACH (5) - BOB-TACH (14) | | 1 |
| 25 | 6734146 | WASHER | | | 2 |
| 26 | 6561383 | DECAL | | | 1 |

PANELS

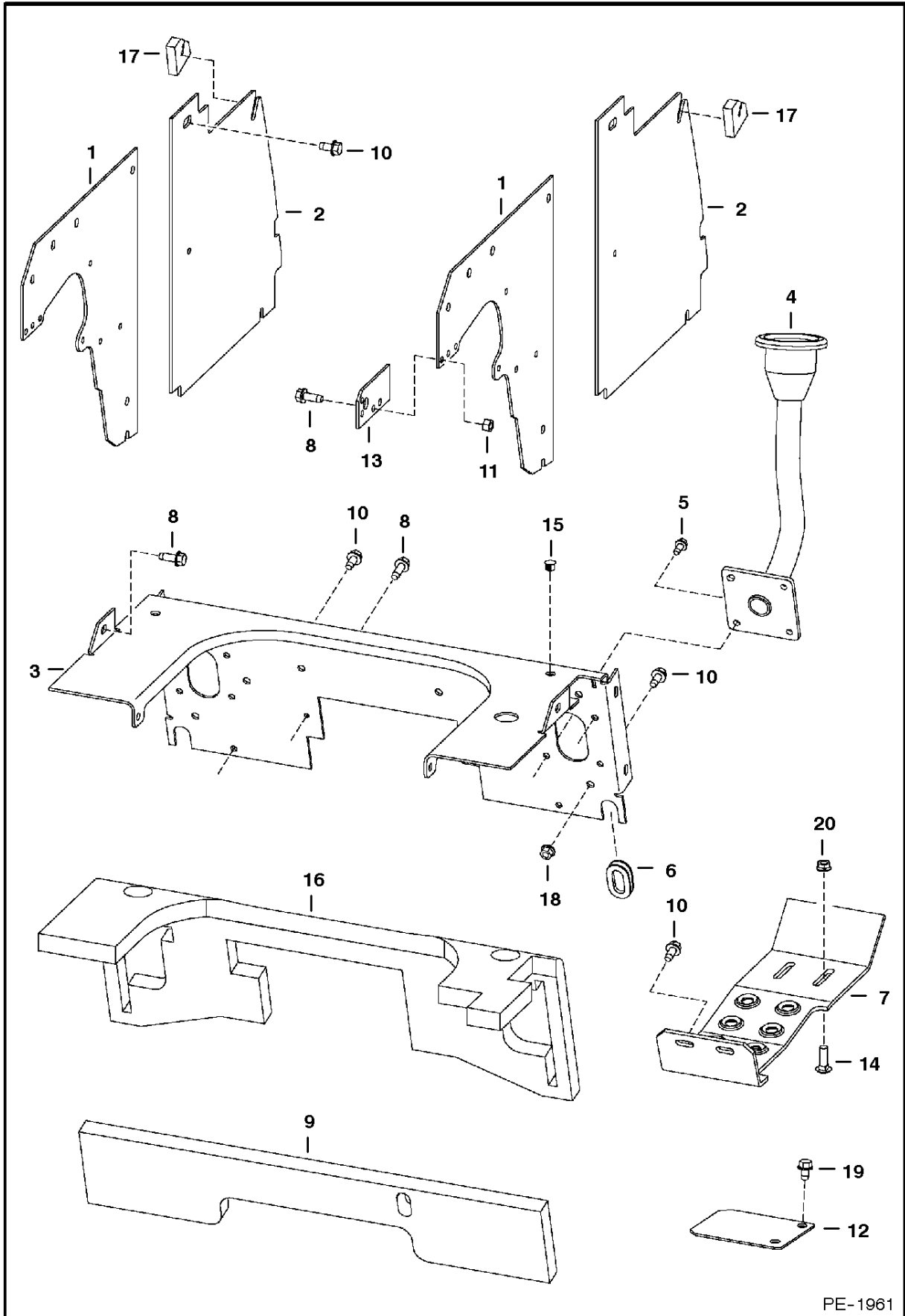


PE-1738

PANELS

| Ref.N° | Part N° | Description | Remarks | Serial N° | Qty. |
|--------|----------|-------------|---------------------|-----------|------|
| 1 | 6731899 | PANEL | | | 2 |
| 2 | 6732177 | PANEL | | | 2 |
| 3 | 6718305 | SHIELD | | | 1 |
| 4 | 6532127 | BOOT | | | 2 |
| 5 | 6630207 | RIVET | | | 8 |
| 6 | 6577961 | GROMMET | | | 2 |
| 7 | 6733022 | BRACKET | steering - R.H. | | 2 |
| 7 | 6733024 | BRACKET | steering - L.H. | | 1 |
| 8 | 84G-3716 | BOLT | | | 2 |
| 9 | 6701674 | INSULATION | | | 1 |
| 10 | 84G-3712 | BOLT | | | 30 |
| 11 | 95D-6 | NUT | | | 2 |
| 12 | 6706106 | MOUNT | damper | | 1 |
| 13 | 6733529 | SEAL | | | 2 |
| 14 | 17C-612 | BOLT | | | 1 |
| 15 | 6657719 | PLUG | for .75' dia. hole | | 2 |
| 15 | 6648348 | PLUG | for .812' dia. hole | | 2 |
| 16 | 6716800 | INSULATION | | | 1 |

PANELS (W/Joystick Controls)



PE-1961

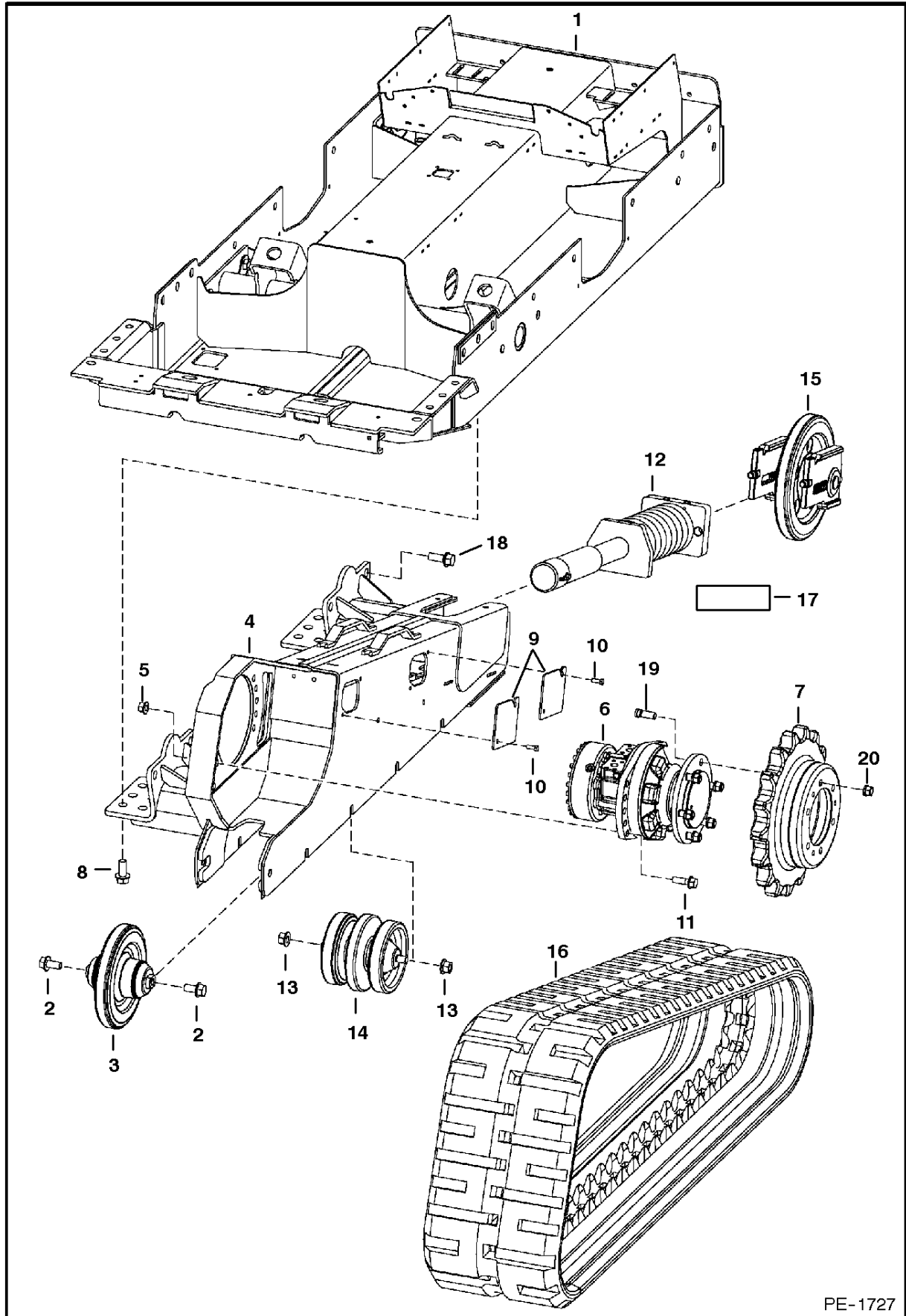
PANELS

| Ref.N° | Part N° | Description | Remarks | Serial N° | Qty. |
|--------|----------|-------------|---|-----------|------|
| 1 | 6734521 | PANEL | | | 2 |
| 2 | 6734602 | PANEL | | | 2 |
| 3 | 6729899 | PANEL | | | 1 |
| 4 | 6729791 | LEVER | R.H. joystick - See Page CONTROLS ELECTRICAL(1) | | 1 |
| 4 | 6729792 | LEVER | L.H. joystick - See Page CONTROLS ELECTRICAL(1) | | 1 |
| 5 | 35C-512 | BOLT | | | 4 |
| 6 | 6714726 | PLUG | | | 1 |
| 7 | 6729237 | STEP | | | 2 |
| 8 | 84G-3716 | BOLT | | | 4 |
| 9 | 6701674 | INSULATION | | | 1 |
| 10 | 84G-3712 | BOLT | | | 22 |
| 11 | 95D-6 | NUT | | | 2 |
| 12 | 6729774 | COVER | cylinder access | | 2 |
| 13 | 6732449 | PLATE | cable | | 1 |
| 14 | 37C-620 | BOLT | | | 4 |
| 15 | 6649949 | PLUG | | | 2 |
| 16 | 6716800 | INSULATION | | | 1 |
| 17 | 6733529 | SEAL | panel | | 2 |
| 18 | 89D-5 | NUT | | | 4 |
| 19 | 84G-3710 | BOLT | | | 4 |
| 20 | 57D-6 | NUT | | | 4 |

FUEL SYSTEM

| Ref.N° | Part N° | Description | Remarks | Serial N° | Qty. |
|--------|----------|-------------|---|-----------|------|
| 1 | 6661114 | CAP | green fuel fill | | 1 |
| 1 | 6661696 | FUEL CAP | locking - W/Ref. FUEL SYSTEM(2) - Code PK510 | | 1 |
| 2 | 6587458 | KEY SET | Code PK510 | | 1 |
| 3 | 6706517 | SCREW | | | 3 |
| 4 | 6701449 | FILLER TUBE | | | 1 |
| 5 | 42HC-250 | CLAMP | | | 2 |
| 6 | 6730532 | HOSE | | | 1 |
| 7 | 5HM-24 | CLAMP | | | 2 |
| 8 | NAP | HOSE | 32" (813mm) long - Order Ref. FUEL SYSTEM(36) | | 1 |
| 9 | 6578169 | HOSE | Bulk - sold per foot | | x |
| 10 | NAP | HOSE | 29.5' (749mm) long - Order Ref. FUEL SYSTEM(38) | | 1 |
| 11 | 6735696 | BUSHING | .37" (9,4mm) ID | | 2 |
| 12 | 6717402 | BUSHING | .54" (13,7mm) ID | | 1 |
| 13 | 6735249 | HOSE | 13.75' (350mm) long | | 2 |
| 14 | 5HM-13 | CLAMP | | | 3 |
| 15 | 6578278 | PAD | self adhesive one side | | 2 |
| 16 | 6680438 | SENSOR | fuel - W/Ref. FUEL SYSTEM(17) | | 1 |
| 17 | 6717579 | GASKET | | | 1 |
| 18 | 6569219 | SCREEN | | | 1 |
| 19 | 6735615 | TANK | | | 1 |
| 20 | 6717401 | PLUG | .75' shoulder | | 1 |
| 21 | NAP | HOSE | 53' (1346mm) long - Order Ref. FUEL SYSTEM(9) | | 1 |
| 22 | 6731152 | MOUNT | | | 1 |
| 23 | 43C-516 | BOLT | | | 2 |
| 24 | 6715183 | ELBOW | W/Ref. FUEL SYSTEM(25) | | 2 |
| 25 | 79K-5 | O-RING | | | x |
| 26 | 53C-516 | BOLT | | | 2 |
| 27 | 6667353 | FILTER ASSY | | | 1 |
| 27 | 6667352 | FILTER | | | 1 |
| 27 | 72F-1 | DRAIN COCK | | | 1 |
| 28 | 6658180 | PLUG | plug | | 1 |
| 29 | NAP | HOSE | %11.25" (286mm) long - Order Ref. FUEL SYSTEM(37) | | 1 |
| 30 | NAP | HOSE | %12" (305mm) long - Order Ref. FUEL SYSTEM(38) | | 1 |
| 31 | | FUEL PUMP | See Page FUEL INJECTION PUMP(11) | | 1 |
| 32 | 6657734 | PUMP | hand primer | | 1 |
| 33 | NAP | HOSE | 14%.5" (368mm) long Order Ref. FUEL SYSTEM(37) | | 1 |
| 34 | 6681462 | ELBOW | | | 2 |
| 35 | 6726218 | GASKET | | | 1 |
| 36 | 6578172 | HOSE | bulk - Sold Per Foot | | x |
| 37 | 6577822 | HOSE | .375 I.D. - bulk - Sold Per Foot | | x |
| 38 | 6577821 | HOSE | .25" I.D. - bulk - Sold Per Foot | | x |
| 39 | 84G-3712 | BOLT | | | 3 |
| 40 | 6610510 | NYLON TIE | | | 1 |
| 41 | 5HM-14 | CLAMP | | | 5 |
| 42 | 5HM-58 | CLAMP | | | 1 |
| 43 | 6730552 | BRACKET | | | 1 |
| 44 | 42HS-04 | CLAMP | | | 2 |

DRIVE TRAIN



PE-1727



Download the full PDF manual instantly.

Our customer service e-mail:

aservicemanualpdf@yahoo.com