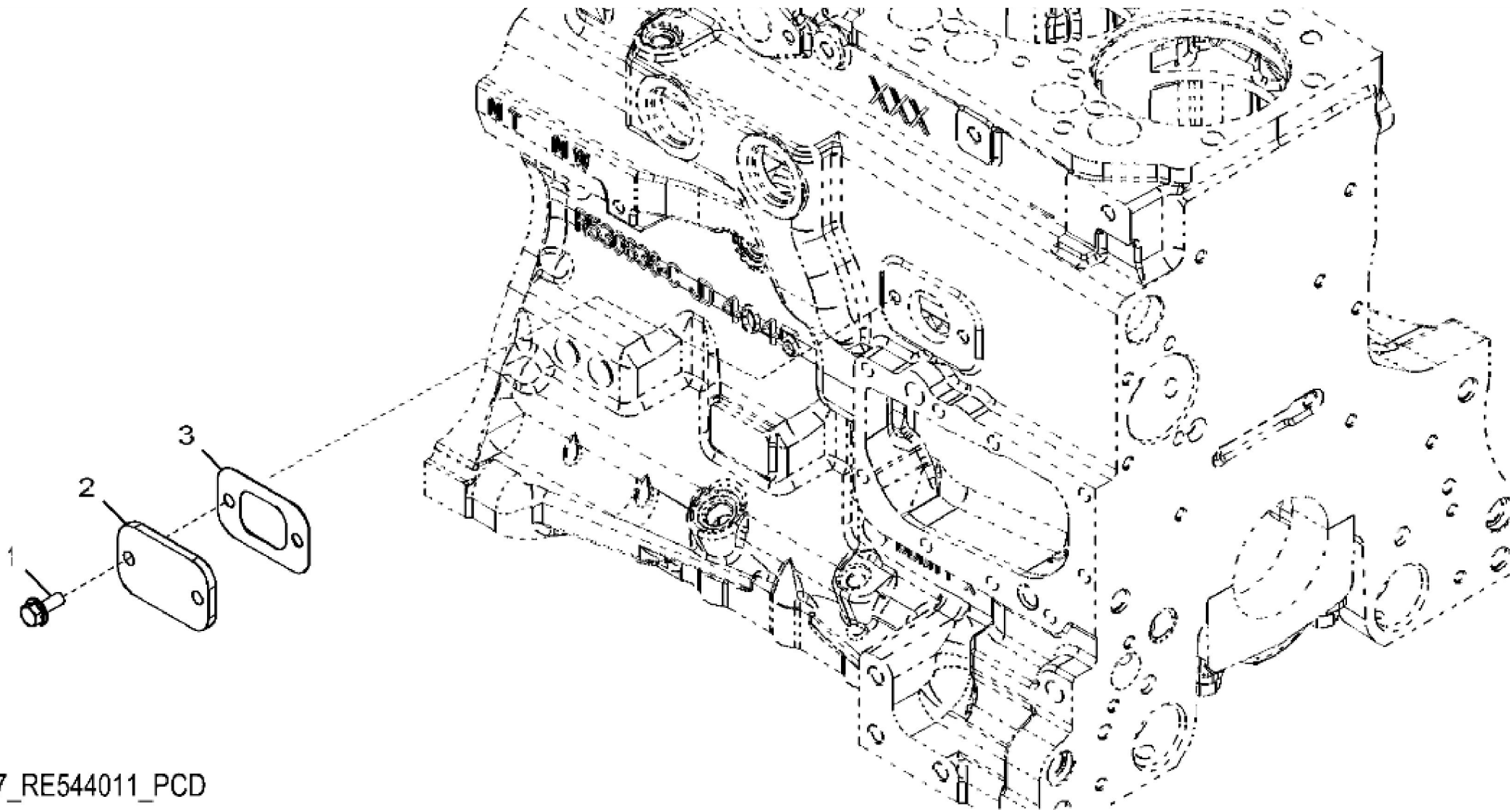


John Deere > Turf And Utility >TRACTOR >6115R - TRACTOR >6115R Tractor (North America Edition, Engine SN: 4045RXXXXXX)(Interim Tier 4) >20 ENGINE 4045HL495-DD22036-ETN65520-ETN65518-ETN74307 >ST400926 - 1183 ROCKER ARM COVER

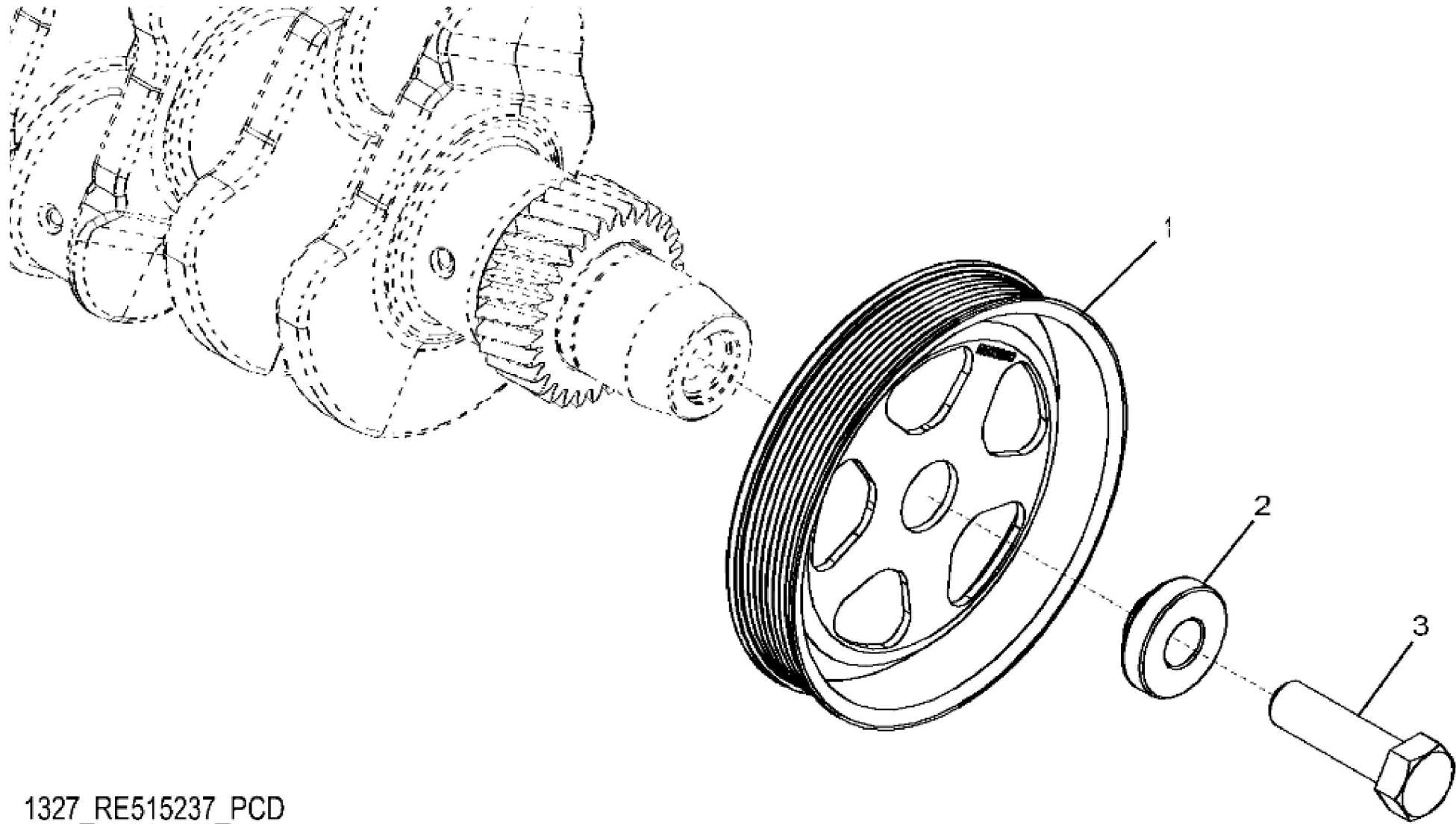
KEY	PART NO.	PART NAME	QTY	REMARKS	
1	R524499	GASKET	1		
2	19M7775	SCREW	2	M6 X 16	
3	R515555	DEFLECTOR	1		
4	R543296	HOSE	1		
5	TY22462	CLAMP	1		
6	RE561710	VALVE COVER	1	MARKED R540192	
7	RE542918	VALVE	1	USE WITH RE561710	
8	R123575	O-RING	5		
9	R521390	SCREW	5		
10	H23125	PLUG	5		
11	R529614	VALVE COVER	1	ORDER RE561710	
12	R532038	VALVE	1	ORDER RE542918; USE WITH R529614	



1297_RE544011_PCD

John Deere > Turf And Utility > TRACTOR > 6115R - TRACTOR > 6115R Tractor (North America Edition, Engine SN: 4045RXXXXXX)(Interim Tier 4) > 20 ENGINE 4045HL495-DD22036-ETN65520-ETN65518-ETN74307 > ST402282 - 1297 OIL FILLER COVER

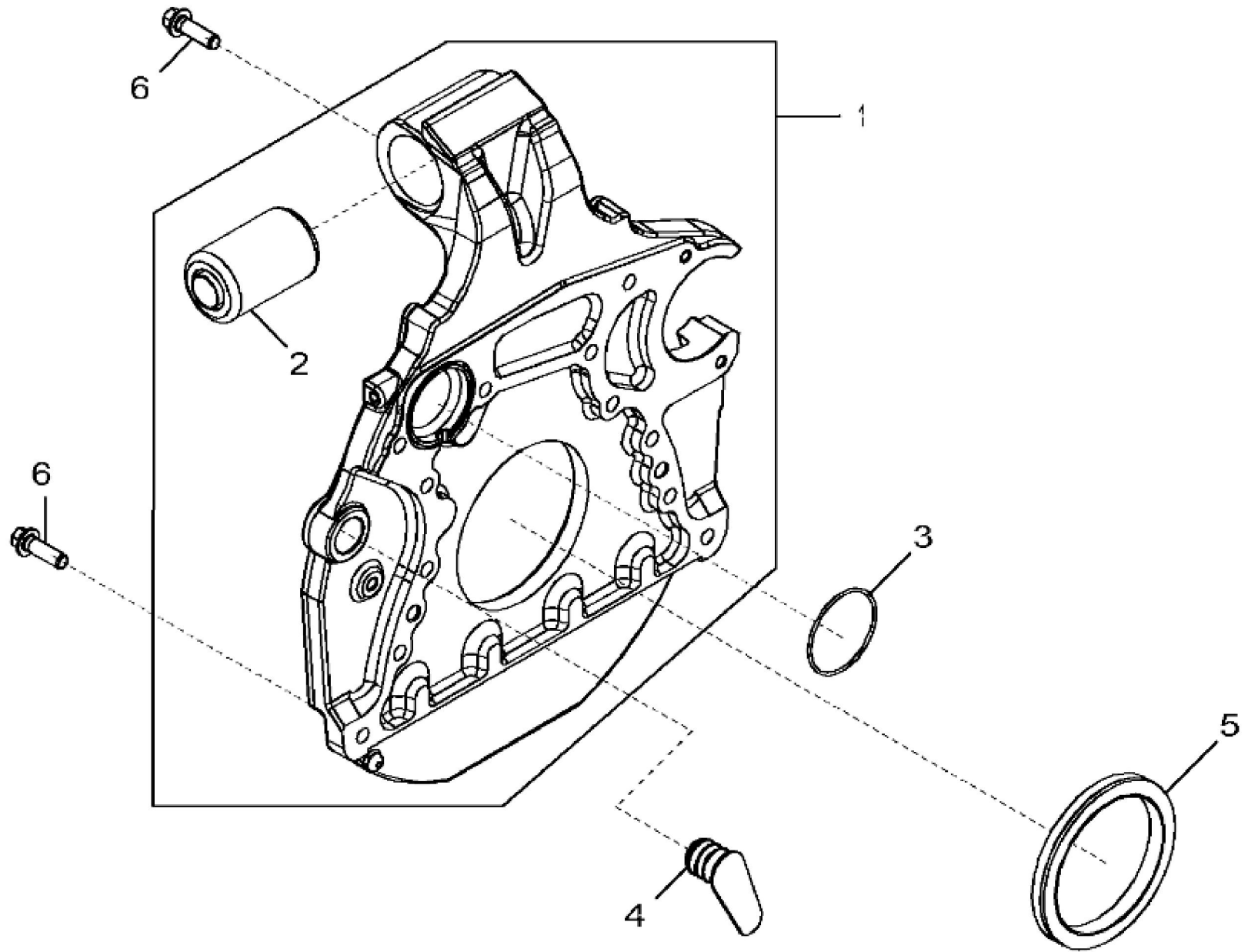
KEY	PART NO.	PART NAME	QTY	REMARKS	
1	RE67238	SCREW	2	(Threads With Pre-Applied Sealant)	
2	R116296	COVER	1		
3	R136495	GASKET	1		



1327_RE515237_PCD

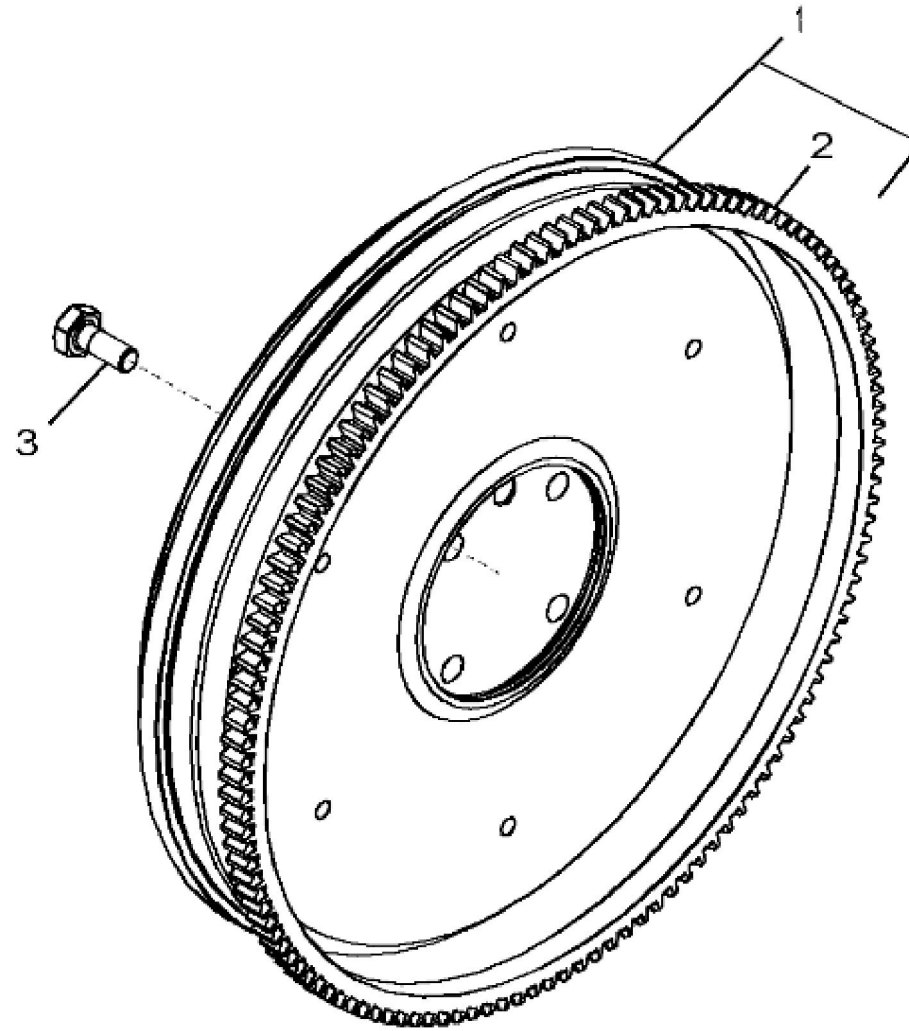
John Deere > Turf And Utility > TRACTOR > 6115R - TRACTOR > 6115R Tractor (North America Edition, Engine SN: 4045RXXXXXX)(Interim Tier 4) > 20 ENGINE 4045HL495-DD22036-ETN65520-ETN65518-ETN74307 > ST308624 - 1327 CRANKSHAFT PULLEY

KEY	PART NO.	PART NAME	QTY	REMARKS	
1	R503880	PULLEY	1	OD = 188 mm	
2	R515040	BUSHING	1	OD = 50 mm	
3	R516648	CAP SCREW	1	M20 X 70	



John Deere > Turf And Utility > TRACTOR > 6115R - TRACTOR > 6115R Tractor (North America Edition, Engine SN: 4045RXXXXXX)(Interim Tier 4) > 20 ENGINE 4045HL495-DD22036-ETN65520-ETN65518-ETN74307 > ST572875 - 1448 FLYWHEEL HOUSING

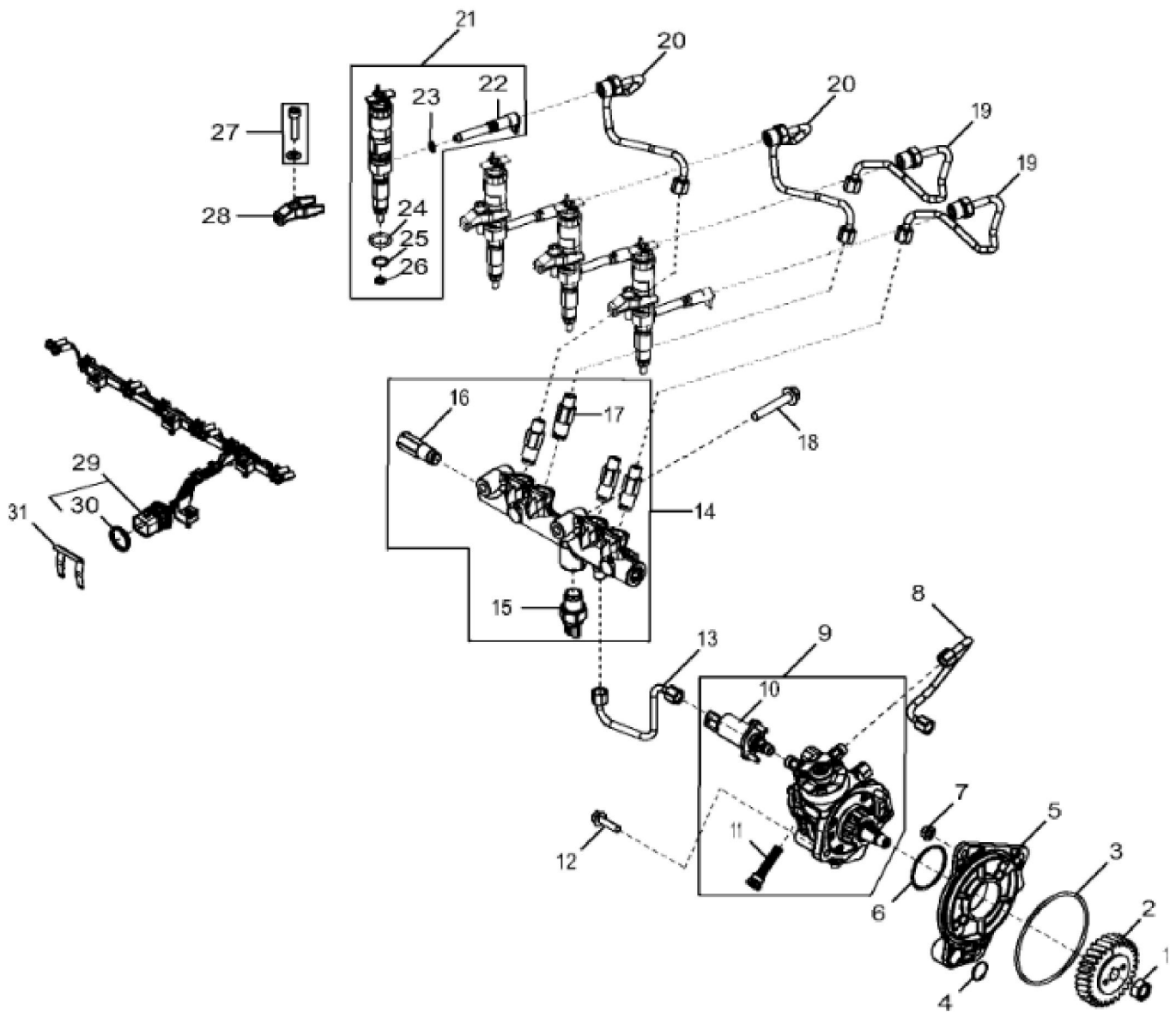
KEY	PART NO.	PART NAME	QTY	REMARKS	
1	RE565739	HOUSING	1	MARKED R543631; SUB FOR RE556605 OR RE544942	
2	ISOLATOR	1	ORDER RE565739	
3	R61467	O-RING	1		
4	R520982	PLUG	1		
5	RE524227	SEAL	1	SUB FOR APPL RE537070	
6	R135918	BOLT	12		



1594_RE526323_PCD

John Deere > Turf And Utility > TRACTOR > 6115R - TRACTOR > 6115R Tractor (North America Edition, Engine SN: 4045RXXXXXX)(Interim Tier 4) > 20 ENGINE 4045HL495-DD22036-ETN65520-ETN65518-ETN74307 > ST275021 - 1594 FLYWHEEL

KEY	PART NO.	PART NAME	QTY	REMARKS	
1	RE526324	FLYWHEEL	1		
2	R28811	RING GEAR	1	ID = 385 mm; z = 129	
3	R522205	CAP SCREW	4	(One Time Usage) M12 X 30	





Download the full PDF manual instantly.

Our customer service e-mail:

aservicemanualpdf@yahoo.com