


2 - engine

CX Series (2001-2007) - CX01-CX02 - CX50, CX60

2

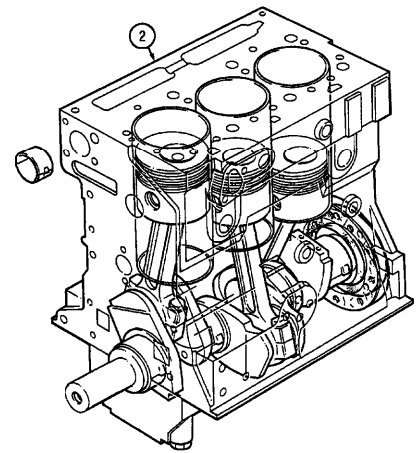
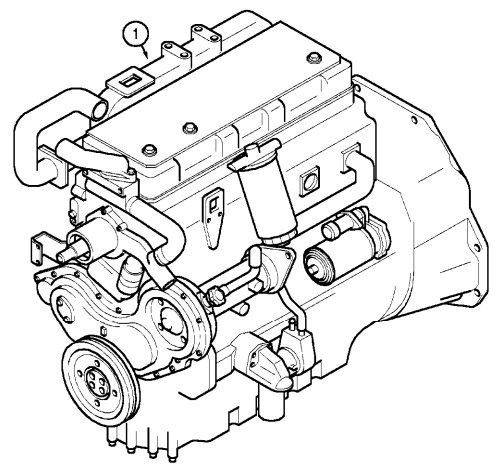
-
3
3



2003

Engines

mcc\DI98N032.png



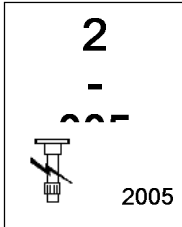
		Inglese	
1	221962A1	● N.L.A.(1)	1 Engine assy
		;	
		T-A 7:0	
		T-B 26:0	
1	221963A1	● N.L.A.(1)	1 Engine assy
		;	
		T-A 7:0	
		T-B 26:0	
2	329624A1	;	1 Engine, skeleton
		T-A 15:0	
2	329625A1	;	1 Engine, skeleton
		T-A 15:0	

● Replacement
 T-A Replacement
 T-B Overhaul

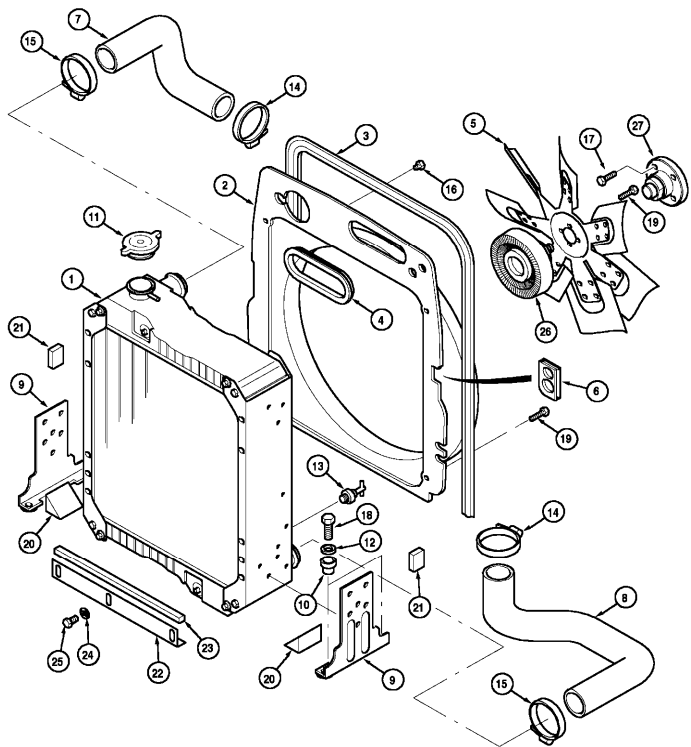
2 - engine

CX Series (2001-2007) - CX01-CX02 - CX50, CX60

mcc\DI97J102.png



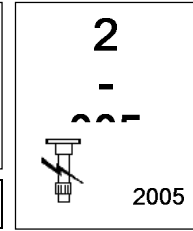
Radiator and connections



		Inglese	
1	222890A5	● 303494A4(1)	1 Radiator assy
		;	
		T-A 2:50	
2	225897A5	T-A 1:0	1 Shroud
3	229041A5	;	1 Seal
		T-A 0:25	
4	246478A4	T-A 0:25	1 Seal
5	249462A3	;	1 Fan assy
		T-A 0:50	
6	243455A2	T-A 0:50	1 Seal
7	234493A4	;	1 Hose
		T-A 0:75	
8	225109A6	● 225109A7(1)	1 Hose
		;	
		T-A 0:50	
9	378479A1	;	1 Bracket
		T-A 1:0	
9	378480A1	;	1 Bracket
		T-A 1:0	
10	D52276		4 Insulator
11	A170241	● 710829A1(1)	1 Cap
		;	
		T-A 0:25	
12	495-71041	;	4 Washer
13	217-92	;	1 Valve, drain
14	214-1432	;	2 Clamp

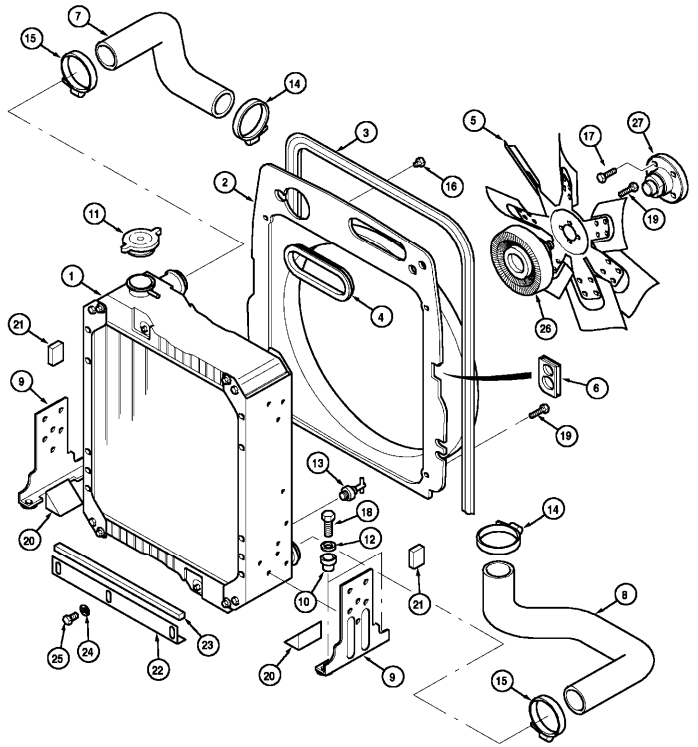
2 - engine

CX Series (2001-2007) - CX01-CX02 - CX50, CX60



Radiator and connections

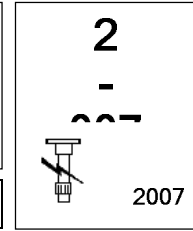
mcc\DI97J102.png



			Inglese
15	214-1440	;	2 Clamp
16	217-428	;	1 Plug, hex
17	844-8035	;	4 Bolt
18	814-10040	;	4 Bolt
19	844-8016	● 2314H002(0)	0 Bolt
		;	
20	231504A1	;	2 Seal
21	235898A1	;	2 Seal
22	245392A5		1 Bracket
23	252823A3	;	1 Seal
24	895-11006	;	3 Washer
25	844-6012	;	3 Bolt
26	246461A2	T-A 0:50	1 Drive assy
27	250839A1	T-A 0:75	1 Adapter assy
●	Replacement		
T-A	Replacement		

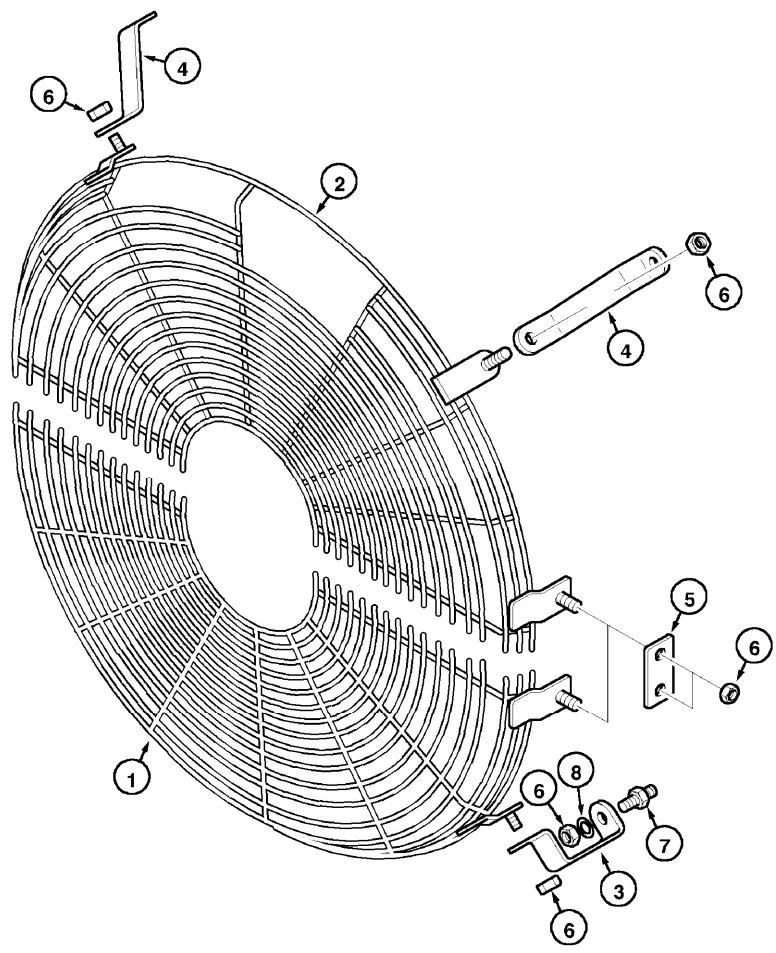
2 - engine

CX Series (2001-2007) - CX01-CX02 - CX50, CX60



Fan shields

mcc\DI00E119.png

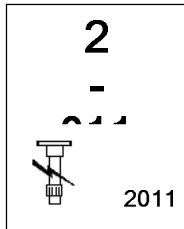


- | | | | | | |
|-----|-------------|-----|------|--|--------------|
| 1 | 311246A1 | ; | | | |
| | | T-A | 0:50 | | 1 Guard assy |
| 2 | 315162A1 | ; | | | 1 Guard assy |
| | | T-A | 0:50 | | |
| 3 | 311244A2 | | | | 2 Bracket |
| 4 | 311245A1 | | | | 2 Bracket |
| 5 | 311242A1 | | | | 2 Strap |
| 6 | 825-2408 | ; | | | 8 Nut |
| 7 | 353342A1 | ; | | | 2 Stud |
| 8 | 895-11008 | ; | | | 4 Washer |
| T-A | Replacement | | | | |

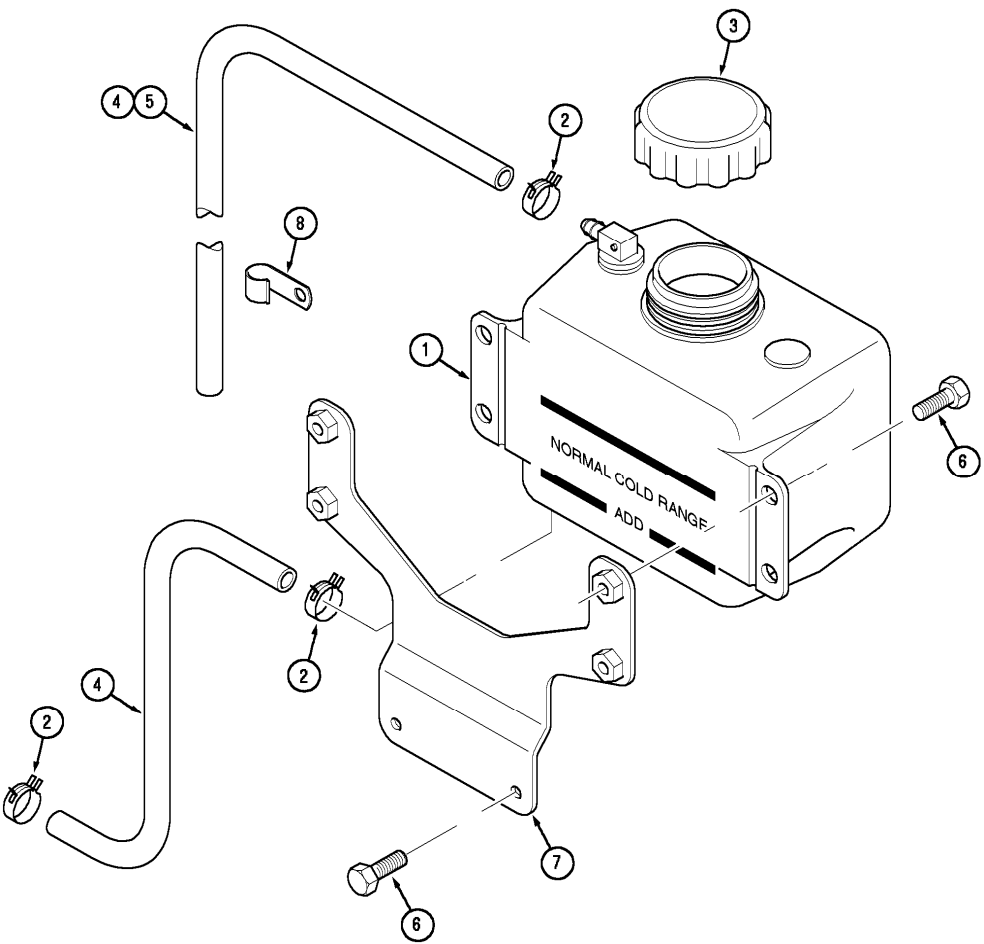
2 - engine

CX Series (2001-2007) - CX01-CX02 - CX50, CX60

mccDI97K126.png



Coolant recovery system




		Inglese	
1	258621A2	● 452813A1(1)	1 Reservoir
		T-A 0:25	
2	A171099		3 Clamp
3	1547924C1	● 440729A1(1)	1 Cap
		T-A 0:25	
4	253927A1	;	2 Hose
		T-A 0:25	
4	253927A1	;	1 Hose
		;	
		;	
		T-A 0:25	
5	293902A2	● 293902A3(1)	1 Hose
		;	
		;	
		;	
		T-A 0:25	
6	844-8016	● 2314H002(0)	0 Bolt
		;	
7	238377A4	T-A 0:25	1 Bracket assy
7	294520A1	;	1 Bracket assy
		T-A 0:25	
8	516-22127		0 Clip
		● Replacement	
		T-A Replacement	

2 - engine

CX Series (2001-2007) - CX01-CX02 - CX50, CX60

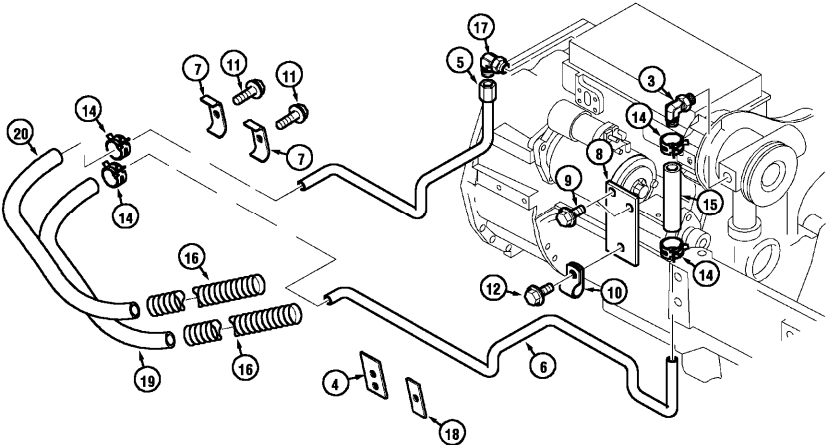
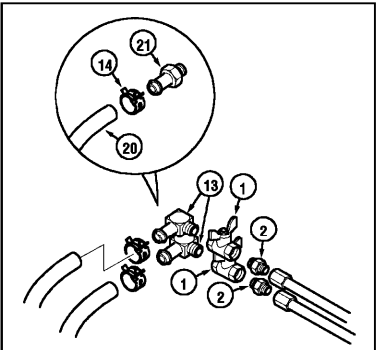
mcc\DI00E058.png

2



2013

Heater hoses




		Inglese
1	T102597	2 Tap
2	218-1026	2 Union
3	3125512R1	1 Elbow
4	300249A1	1 Bracket
5	356759A2	1 Tube assy
	T-A 0:50	
5	356761A1	1 Tube assy
	T-A 0:50	
6	356760A1	1 Tube assy
	T-A 0:50	
6	356762A1	1 Tube assy
	T-A 0:50	
7	3230039R1	1 Clamp
8	259986A1	1 Bracket assy
9	844-10016	2 Bolt
10	515-22159	1 Clamp
11	844-6030	2 Bolt
12	844-8016	1 Bolt
	● 2314H002(1)	
	;	
13	217-332	2 Elbow
14	1954736C1	4 Clamp
15	1321290C2	1 Hose
	;	
	T-A 0:25	
16	294170A1	2 Sleeve
	T-A 1:50	

2 - engine

CX Series (2001-2007) - CX01-CX02 - CX50, CX60

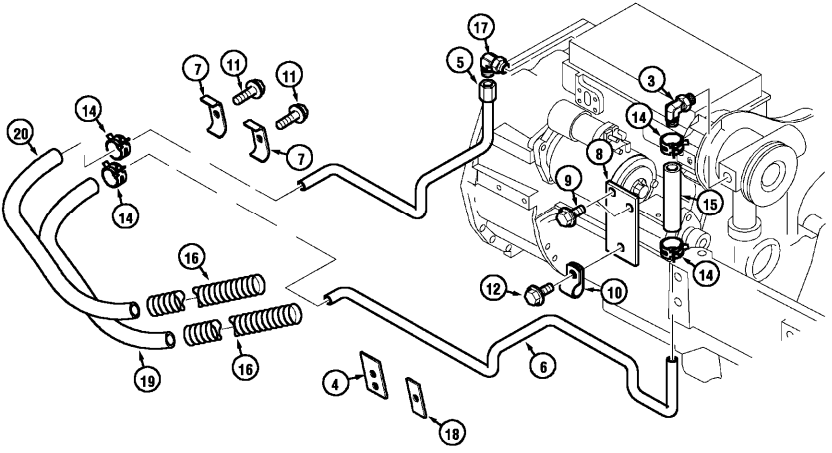
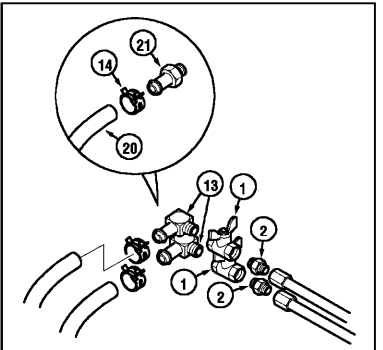
mcc\DI00E058.png

2



2013

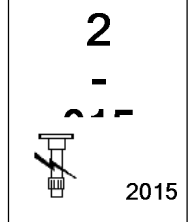
Heater hoses



		Inglese
17	218-485	1 Elbow
18	300251A1 ;	0 Plate assy
19	181071A1 ;	1 Hose
	;	
	;	
	T-A 1:50	
20	1954494C1 ● 86997299(1)	1 Hose
	;	
	;	
	T-A 1:50	
21	217-376 ;	2 Stem
●	Replacement	
T-A	Replacement	

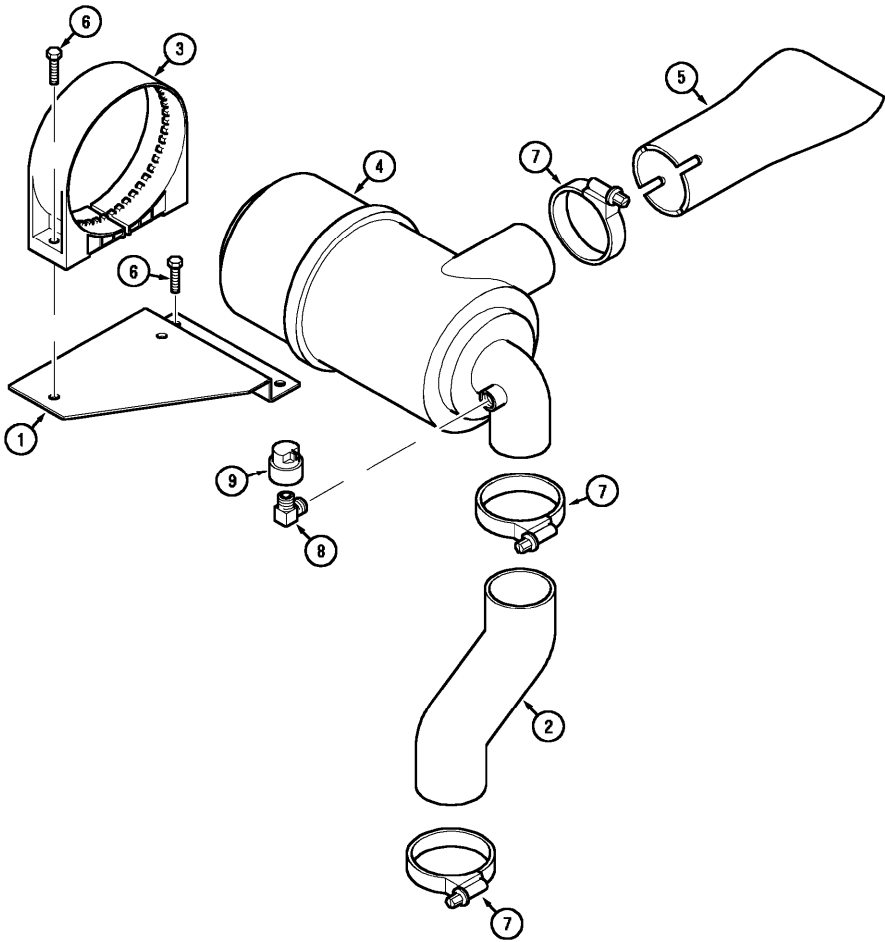
2 - engine

CX Series (2001-2007) - CX01-CX02 - CX50, CX60



Air cleaner and connections - normally aspirated - tilting hood

mcc\DI98B028.png



- 1 244437A2 T-A 1:0
- 2 244440A1 T-A 0:25
- 3 235298A1 T-A 1:0
- 4 134439A1 ;
- T-A 0:50
- 5 243180A3 T-A 0:25
- 6 844-8025 ● 2314H004(4)
- ;
- 7 214-1444 ;
- 8 217-1227 ;
- 9 279492A1 ;

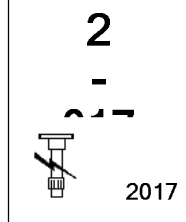
● Replacement
T-A Replacement

Inglese

- 1 Bracket
- 1 Hose
- 1 Bracket
- 1 Air cleaner assy
- 1 Duct
- 4 Bolt
- 3 Clamp
- 1 Elbow, 90
- 1 Switch

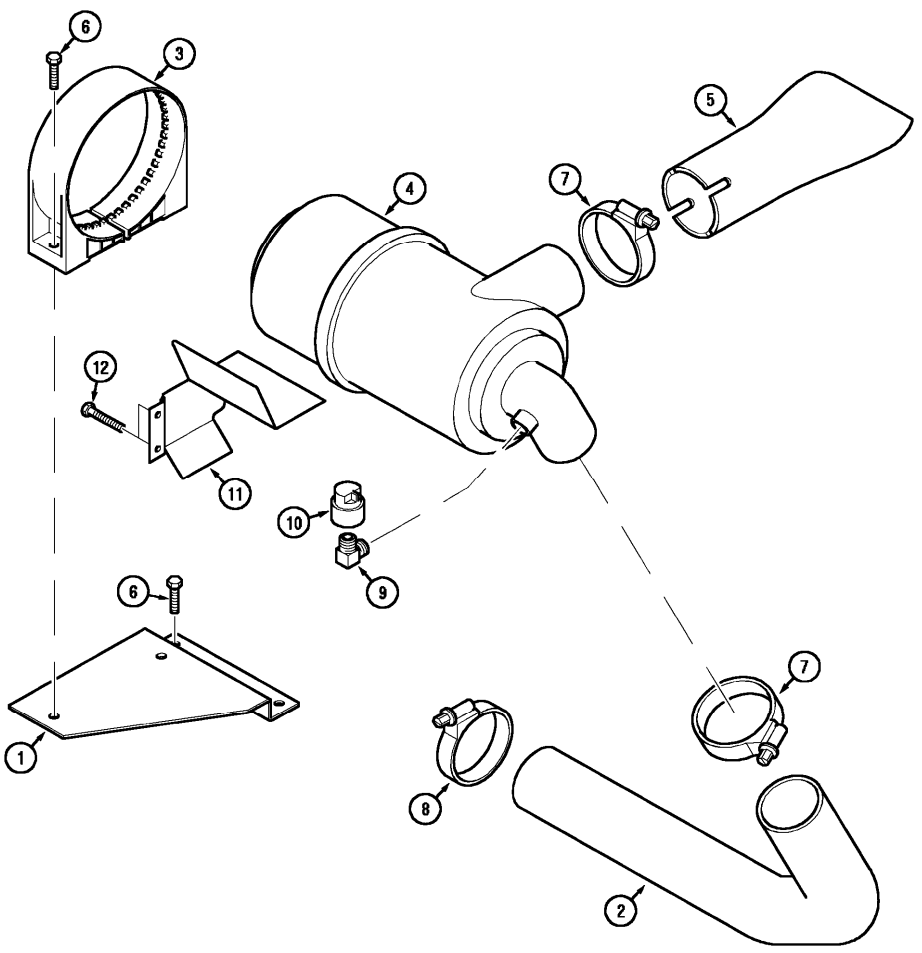
2 - engine

CX Series (2001-2007) - CX01-CX02 - CX50, CX60



Air cleaner and connections - with turbocharger - tilting hood

mcc\DI98B029.png



- 1 244437A2 T-A 1:0
- 2 244438A3 T-A 0:25
- 3 235298A1 T-A 1:0
- 4 134439A1 ;
- 5 243180A3 T-A 0:50
- 6 844-8025 ● 2314H004(4)
- 7 214-1444 ;
- 8 214-1432 ;
- 9 217-1227 ;
- 10 279492A1 ;
- 11 292038A2 T-A 1:0
- 12 844-8016 ● 2314H002(2)

Inglese


- 1 Bracket
- 1 Hose
- 1 Bracket
- 1 Air cleaner assy
- 1 Duct
- 4 Bolt
- 2 Clamp
- 1 Clamp
- 1 Elbow, 90
- 1 Switch
- 1 Shield
- 2 Bolt

● Replacement
T-A Replacement

2 - engine

CX Series (2001-2007) - CX01-CX02 - CX50, CX60

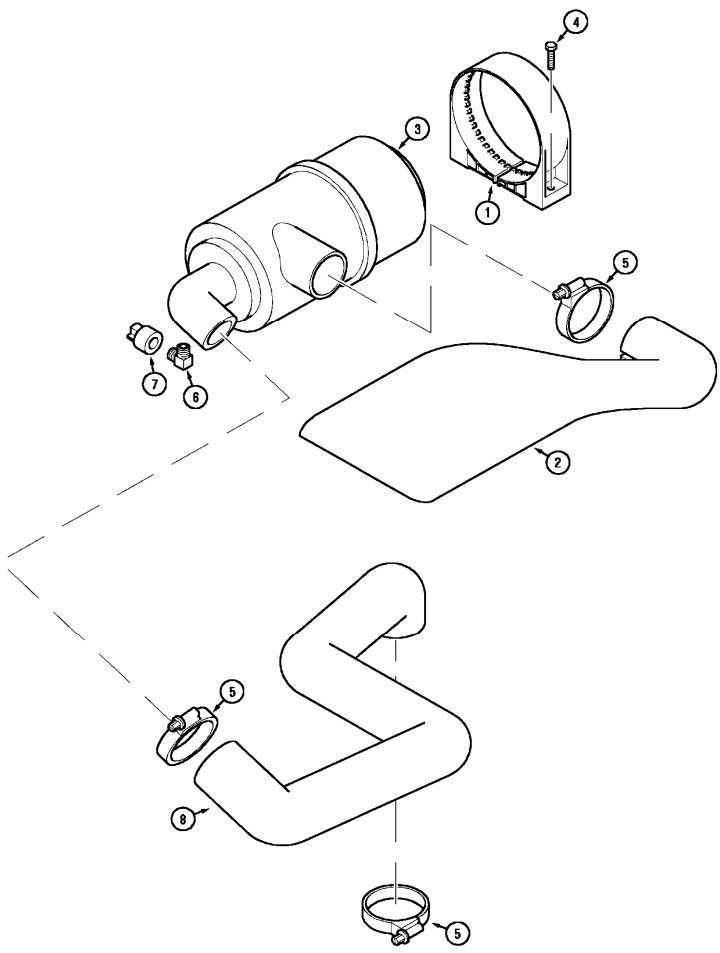
2



2019

Air cleaner and connections - normally aspirated - fixed hood

mcc\DI98B027.png




		Inglese	
1	235298A1	T-A 0:50	1 Bracket
2	244349A3	T-A 0:25	1 Duct
3	134439A1	;	1 Air cleaner assy
		T-A 0:50	
4	844-8025	● 2314H004(4)	4 Bolt
		;	
5	214-1444	;	3 Clamp
6	217-1227	;	1 Elbow, 90
7	279492A1	;	1 Switch
8	227264A3	T-A 0:25	1 Hose
	●	Replacement	
	T-A	Replacement	

2 - engine

CX Series (2001-2007) - CX01-CX02 - CX50, CX60

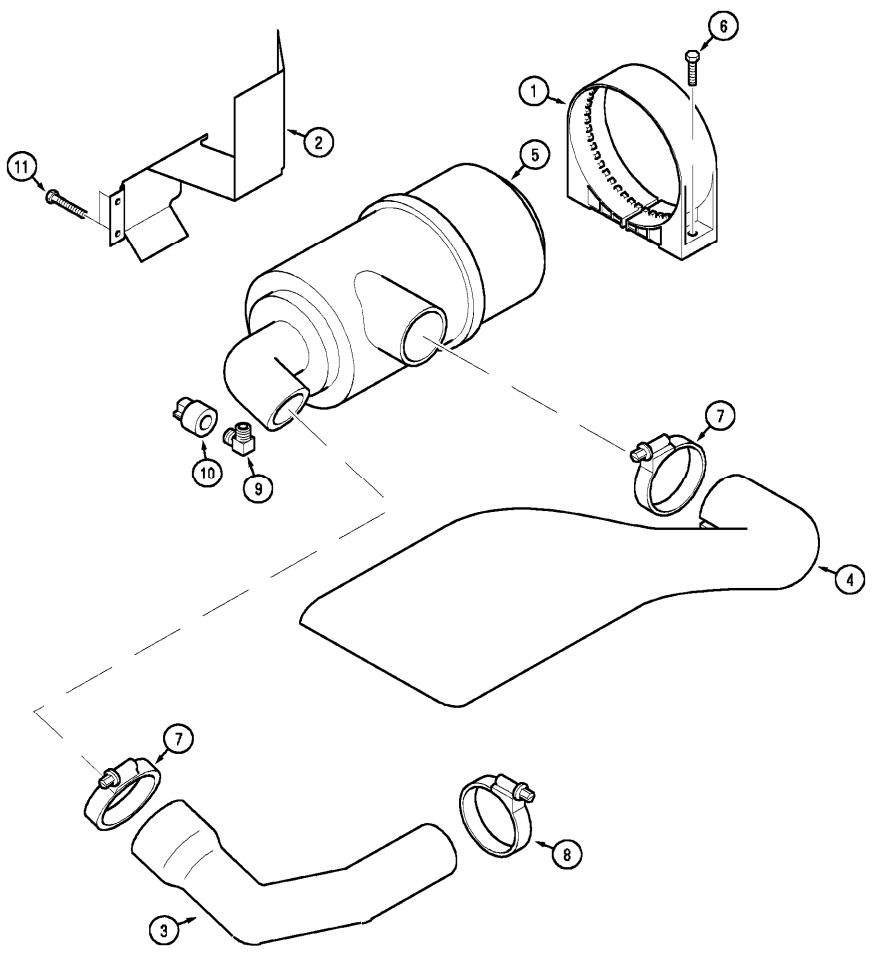
mcc\DI98B026.png

2



2021

Air cleaner and connections - with turbocharger - fixed hood



- 1 235298A1 T-A 1:0
- 2 252243A3 T-A 1:0
- 3 227265A3 T-A 0:25
- 4 244349A3 T-A 0:25
- 5 134439A1 T-A 0:50
- 6 844-8025 ● 2314H004(2)
- ;
- 7 214-1444 ;
- 8 214-1432 ;
- 9 217-1227 ;
- 10 292740A1 ;
- 11 844-8016 ● 2314H002(2)
- ;

● Replacement
T-A Replacement


- Inglese**
- 1 Bracket
 - 1 Shield
 - 1 Hose
 - 1 Duct
 - 1 Air cleaner assy
 - 2 Bolt
 - ;
 - 2 Clamp
 - 1 Clamp
 - 1 Elbow, 90
 - 1 Switch
 - 2 Bolt
 - ;

2 - engine

CX Series (2001-2007) - CX01-CX02 - CX50, CX60

2

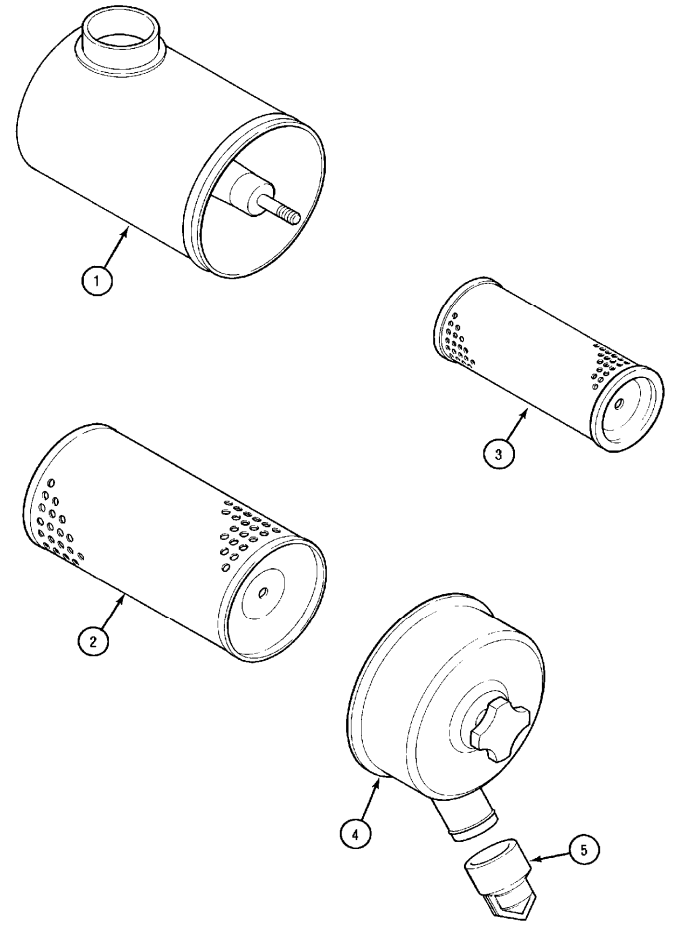
-
333



2023

Air cleaner

mcc\DI97G037.png



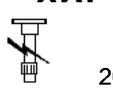
		Inglese	
1	NSS	T-A 1:0	1 Body
2	133720A1	;	1 Element
		T-A 0:25	
3	133721A1	;	1 Element
		T-A 0:25	
4	133723A1	T-A 0:25	1 Cover
5	A184597	● 3311436M1(1)	1 Valve, dust
		T-A 0:25	
200	134439A1	;	1 Air cleaner assy
●	Replacement		
T-A	Replacement		

2 - engine

CX Series (2001-2007) - CX01-CX02 - CX50, CX60

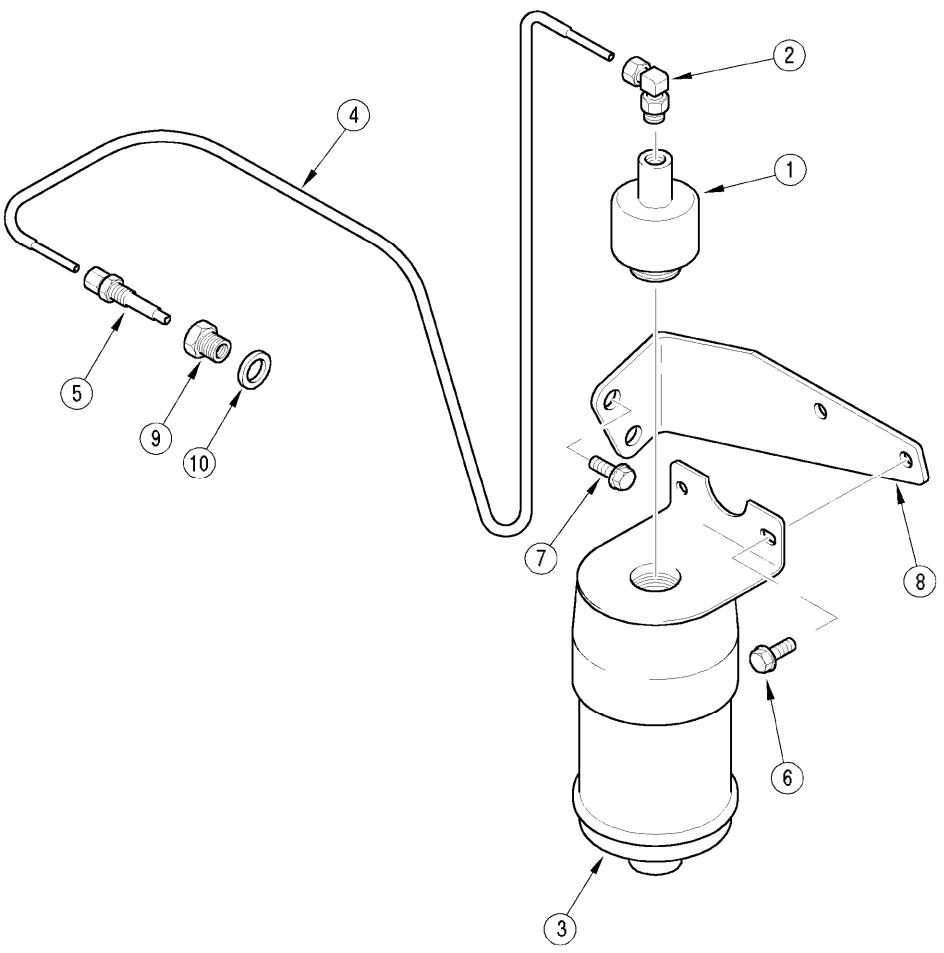
mcc\DI98E287.png

2



2025

Ether starting



- 1 NSS T-A 0:25
- 2 222-615 ;
- 3 190752A1 ;
- 4 303008A1 T-A 0:50
- 5 A171946 ● N.L.A.(1)
- 6 844-8012 ;
- 7 844-12080 ;
- 8 310226A2 T-A 0:50
- 9 322177A1 T-A 0:50
- 10 307762A1
- 200 185552A2 ;
- ;

● Replacement
T-A Replacement

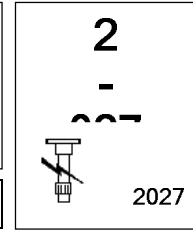
Inglese

- 1 Solenoid
- 1 Elbow, 90
- 1 Cartridge
- 1 Tube
- 1 Nozzle
- 2 Bolt
- 2 Bolt
- 1 Bracket
- 1 Reducer
- 1 Seal, copper
- 1 Solenoid assy

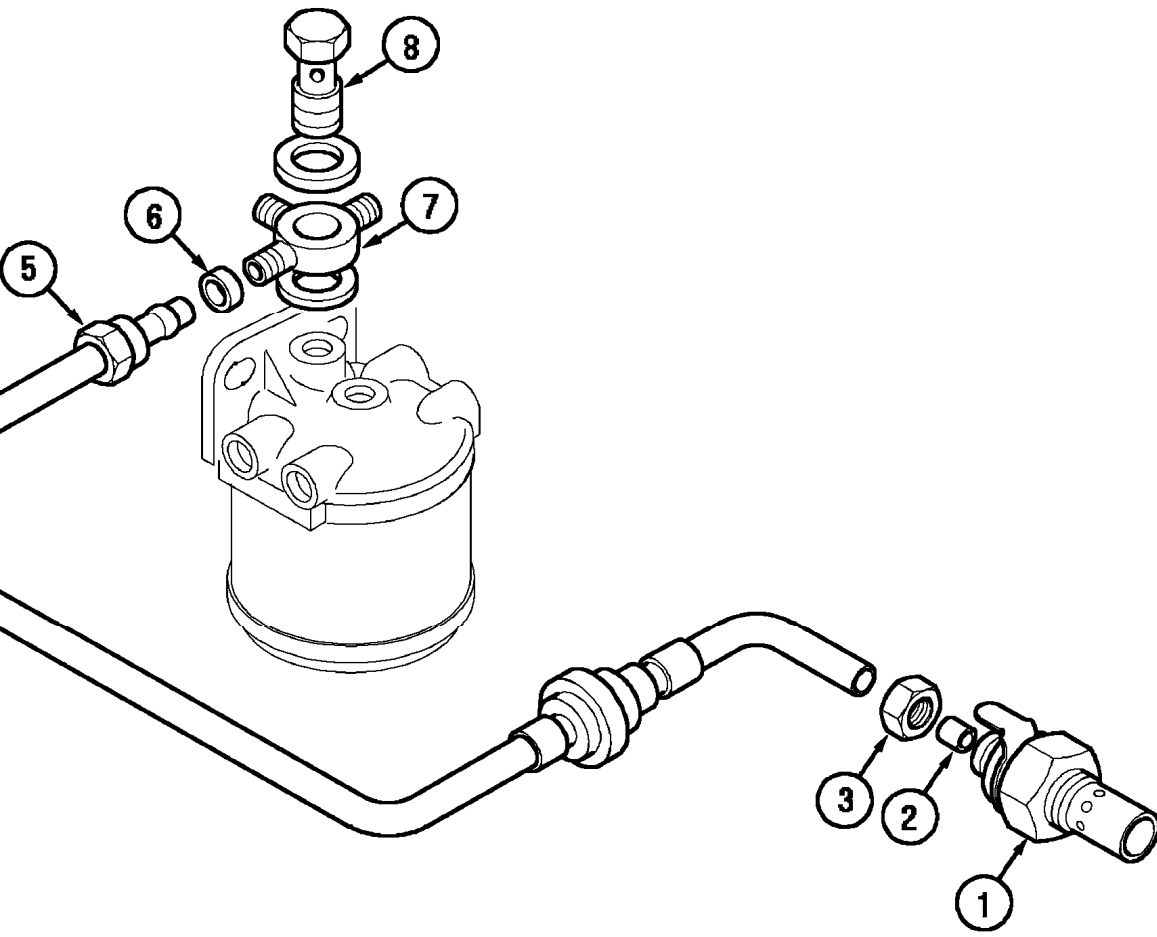
2 - engine

CX Series (2001-2007) - CX01-CX02 - CX50, CX60

mcc\DI97N019.png



Thermostart attachment - europe only




		Inglese	
1	A77616	T-A 0:25	1 Element
			1 Seal
			1 Nut
2			1 Tube
		T-A 0:25	
2			1 Tube
		T-A 0:25	
.1			1 Nut
.1			1 Sleeve
.1			1 Connector
.1	● 3218R013(1)		1 Screw
	ement		
	ement		

2 - engine

CX Series (2001-2007) - CX01-CX02 - CX50, CX60

2

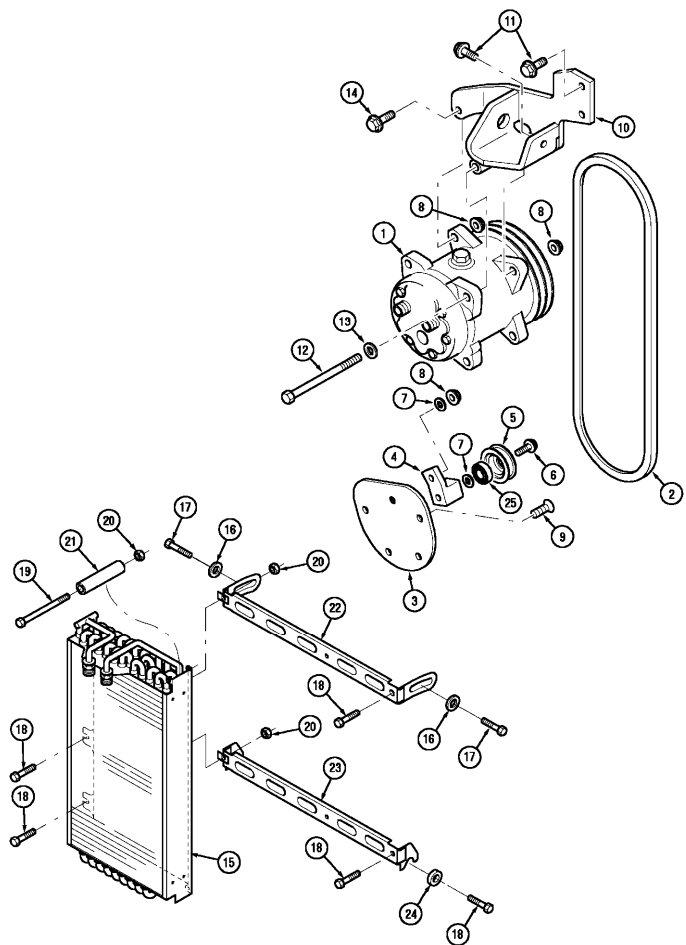
-
-
-
-



2029

Air conditioner, compressor and condenser


mcc\DI98E304.png



		Inglese
1	1999755C2	1 Compressor assy
	●	1999755C3(1)
		;
	T-A	1:25
2	238215A3	1 Belt
	T-A	0:25
3	291892A1	1 Plate assy
4	291893A1	1 Support
5	291328A1	1 Pulley assy
	●	N.L.A.(1)
		;
6	814-10040	1 Bolt
		;
7	896-15010	2 Washer
		;
8	825-2410	1 Nut, flange
		;
9	843-2625	1 Screw
		;
10	233829A4	1 Bracket
	T-A	0:50
11	844-10025	3 Bolt
		;
12	814-10130	1 Bolt
		;
13	3120737R1	1 Washer
		;
14	844-10035	1 Bolt
		;
15	222893A5	1 Condenser
	T-A	1:50
		;
16	895-15008	2 Washer
		;
17	906044R1	2 Bolt, special
		;
18	844-8012	0 Bolt
		;
19	844-8065	1 Bolt
		;
20	282164A1	0 Nut
		;
21	300396A1	1 Spacer

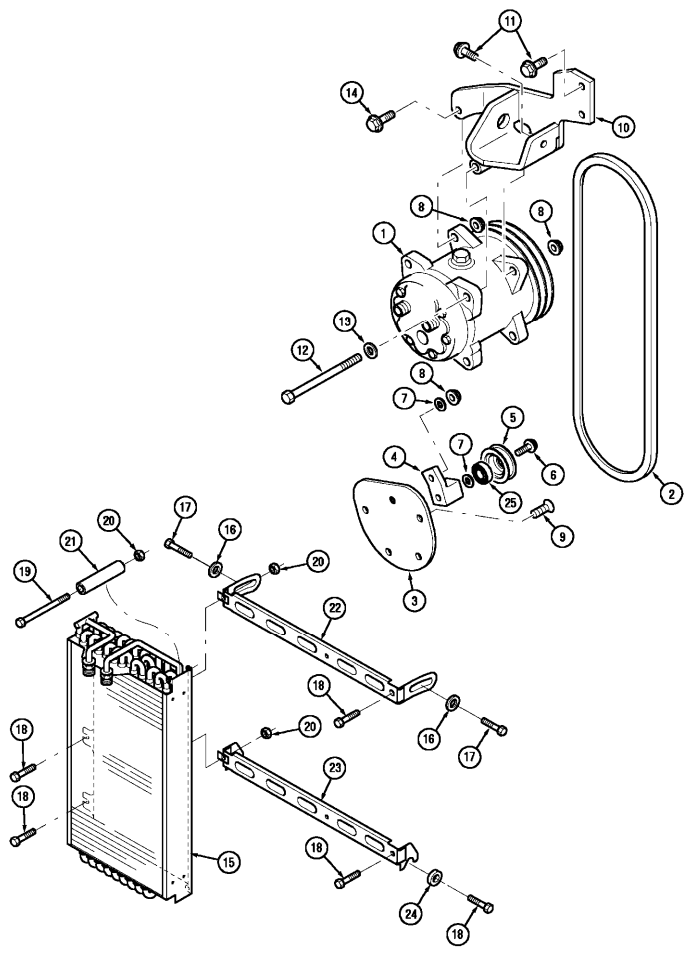
2 - engine




CX Series (2001-2007) - CX01-CX02 - CX50, CX60

2
-
333

2029

Air conditioner, compressor and condenser

mcc\DI98E304.png




- | | | | | | |
|----|---|---|-------------|---|---------------|
| 22 | 300460A1 |  | 300460A2(1) | 1 | Bracket assy |
| | | | ; | | |
| | | | T-A 1:0 | | |
| 23 | 300461A1 |  | 300461A2(1) | 1 | Bracket assy |
| | | | ; | | |
| | | | T-A 1:0 | | |
| 24 | 300395A1 | | | 2 | Bushing |
| 25 | 292079A1 | | | 1 | Bearing, ball |
| |  | Replacement | | | |
| | T-A | Replacement | | | |

2 - engine

CX Series (2001-2007) - CX01-CX02 - CX50, CX60

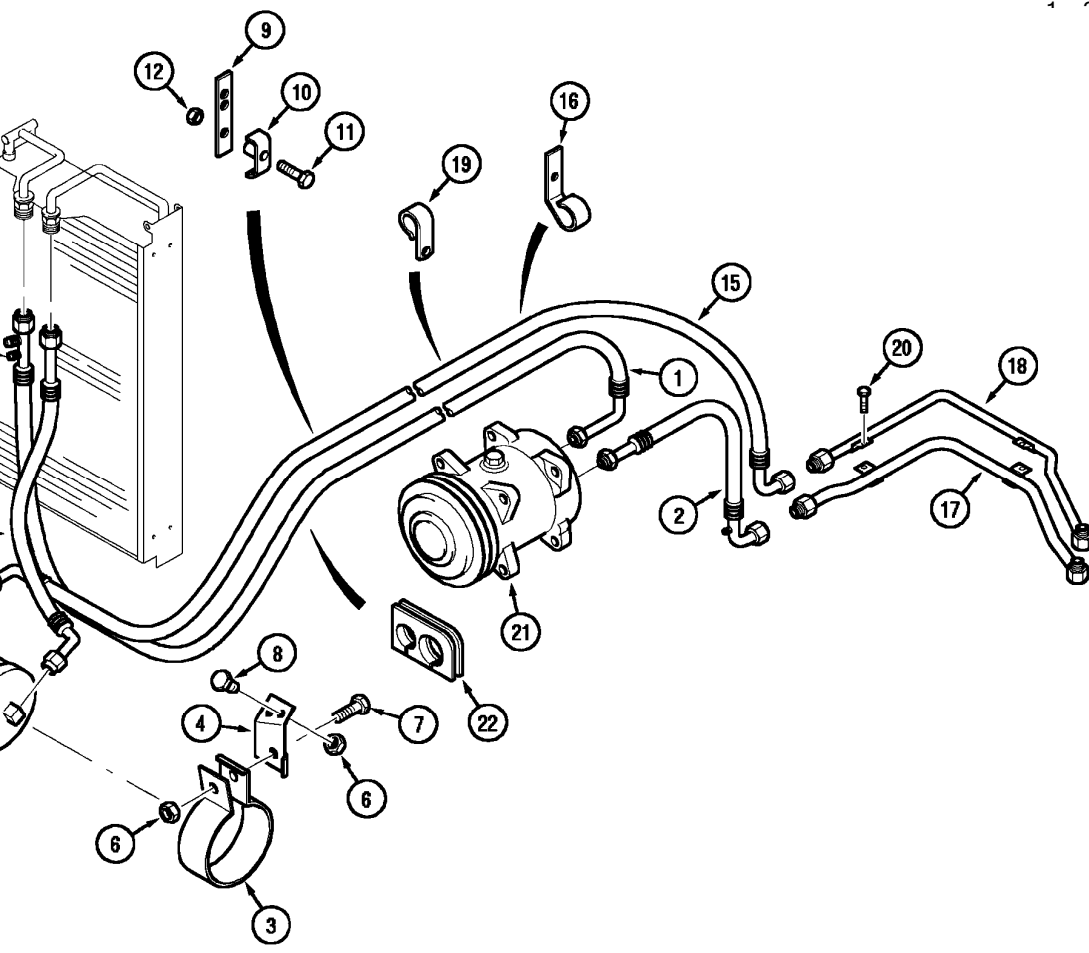
2



2031

Air conditioning pipes

mcc\DI98E305.png



		Inglese
1	36001A3 T-A 1:50	1 Hose
	59609A2 T-A 0:25	1 Hose assy
	102980	1 Clamp
	29185A3	1 Bracket
	990758C2	1 Dryer
	25-2408 ;	3 Nut
	44-8035 ;	1 Bolt
	44-8020 ;	2 Bolt
	75828A1	1 Bracket
	75874A1	1 Clamp
	44-6030 ;	1 Bolt
	25-2406 ;	2 Nut, flange
	32948A1 ● 232948A2(1)	1 Switch assy
	28578A4 ;	1 Hose assy
	T-A 1:50	
	82319A1 ;	1 Hose assy
	T-A 1:50	
	81858A1	1 Clamp
	91293A1 ● 291293A3(1)	1 Tube assy
	T-A 1:0	
	91295A1 T-A 1:0	1 Tube assy
	16-23158 ;	1 Clamp
	80-14625 ;	1 Screw
	999755C2 ● 1999755C3(1)	1 Compressor assy
	T-A 1:25	

2 - engine

CX Series (2001-2007) - CX01-CX02 - CX50, CX60

2
-
3
-
1
2031

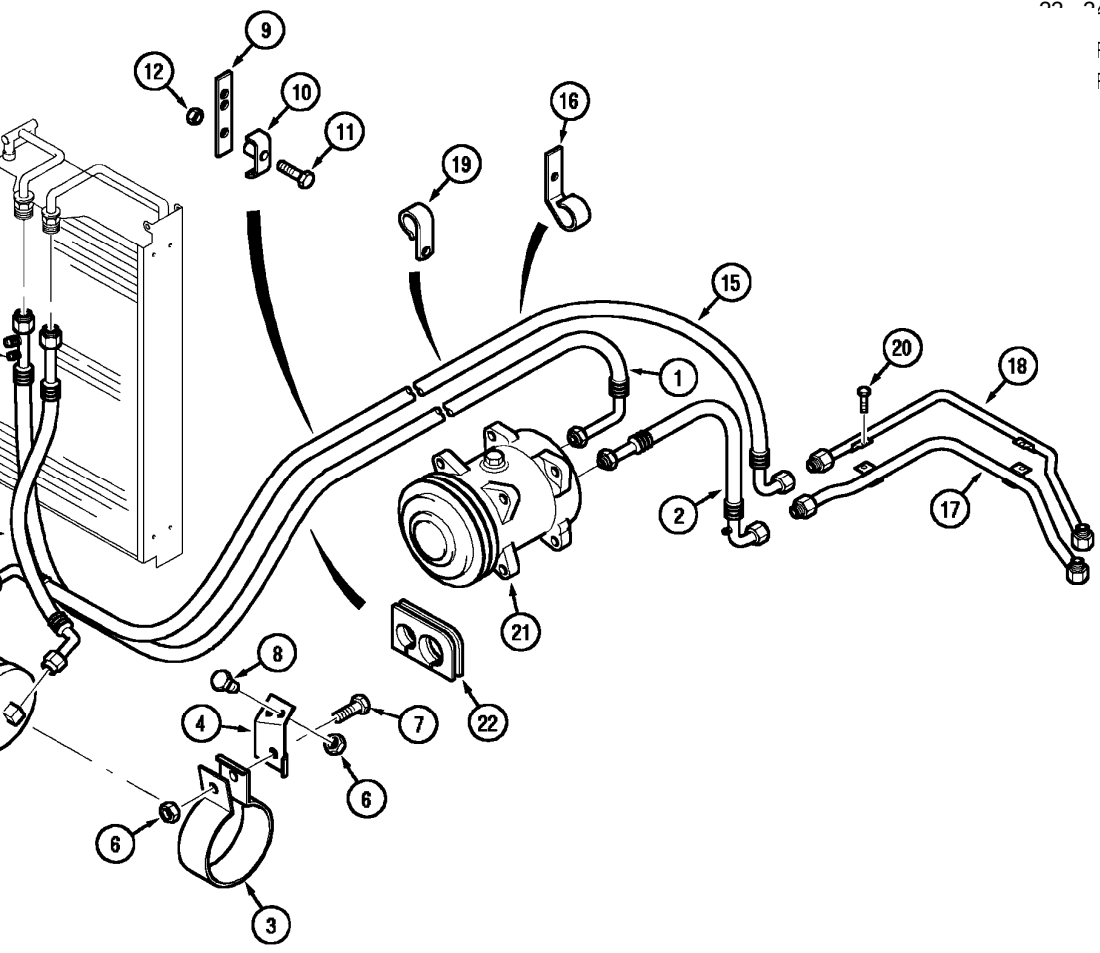
Air conditioning pipes

mcc\DI98E305.png

Inglese

246088A2
Replacement
Replacement

1 Seal




2 - engine

CX Series (2001-2007) - CX01-CX02 - CX50, CX60

mcc\MS96M014.png

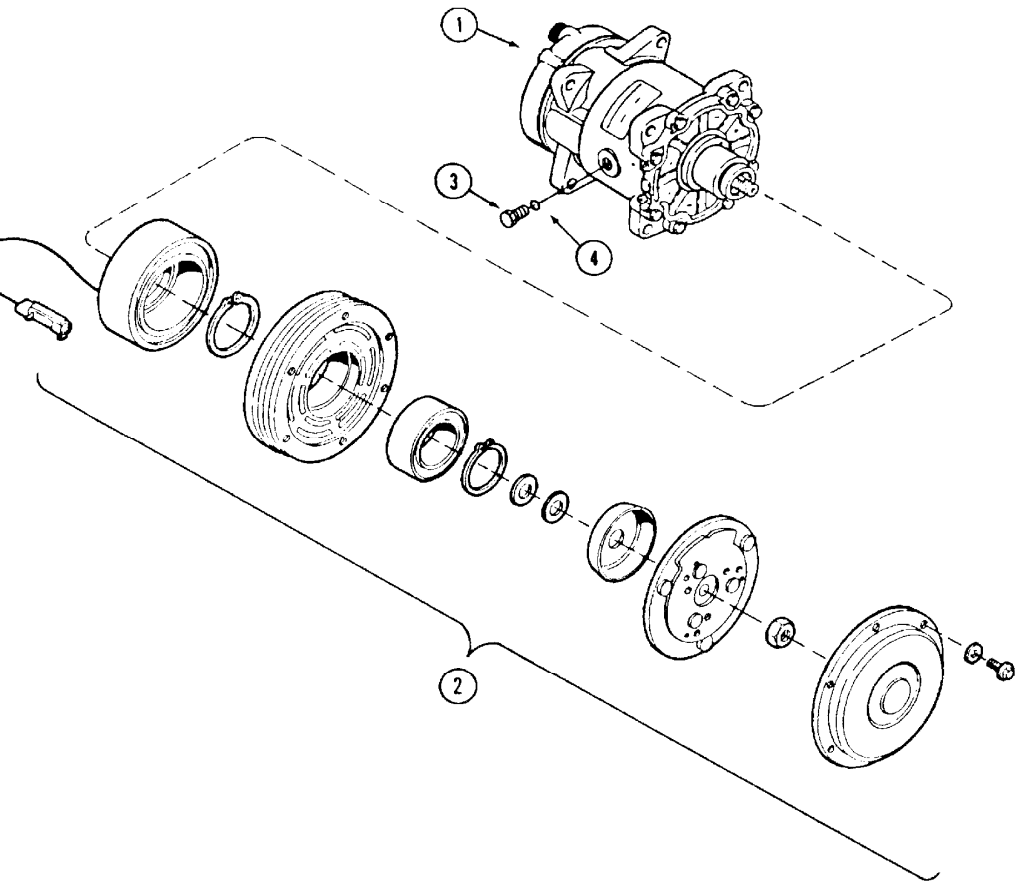
2

-
-
-
-



2033

Air conditioning



- | | | | | | |
|---|-----------|---|--------------|---|-----------------|
| 1 | 1999755C2 | ● | 1999755C3(1) | 1 | Compressor assy |
| | | | ; | | |
| | | | T-A 1:25 | | |
| | | | T-B 3:0 | | |
| 2 | 135324A1 | ● | N.L.S.(1) | 1 | Clutch assy |
| | | | T-A 3:0 | | |
| 3 | A49667 | | | 1 | Plug |
| 4 | 128483A1 | | | 1 | O-ring |
| | | | ; | | |
| | D | | Replacement | | |
| | -A | | Replacement | | |
| | -B | | Overhaul | | |

Inglese



Download the full PDF manual instantly.

Our customer service e-mail:

aservicemanualpdf@yahoo.com