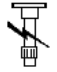


Lighting equipment

X10 series (2011-) - RPK1 - X10.40M-EU

**D-01-
EX40-
T1055**

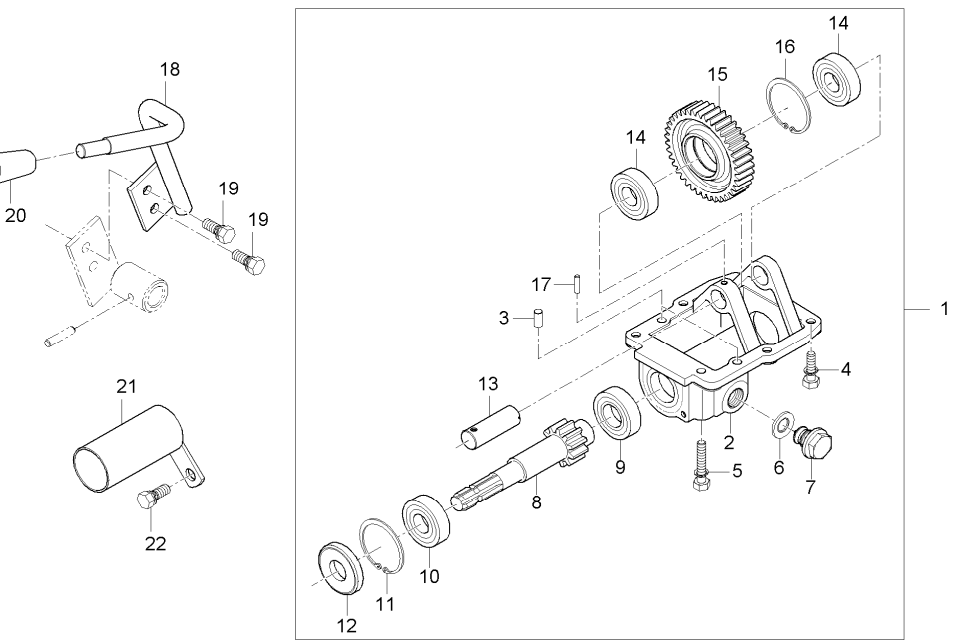


D01EX4
0T1055

B

Independent p.t.o.

daedong_X10\EX40-T1055B.png



- | | Inglese |
|-------------|----------|
| | 1 Pto |
| | 1 Case |
| | 2 Pin |
| M10*1.25 | 5 Bolt |
| 10x1.25(7t) | 1 Bolt |
| | 1 Washer |
| | 1 Plug |
| | 1 Shaft |
| #6305r | 1 Ball |
| #6205 | 1 Ball |
| | 1 Smock |
| | 1 Seal |
| | 1 Shaft |
| 6205r | 2 Ball |
| | 1 Gear |
| | 1 Smock |
| | 1 Pin |
| | 1 Lever |
| M8*p1.25 | 2 Bolt |
| | 1 Grip |
| | 1 Lever |
| M8*p1.25 | 1 Bolt |

Lighting equipment

X10 series (2011-) - RPK1 - X10.40M-EU

D-01-
EX40-
T1065



D01EX4
0T1065

E

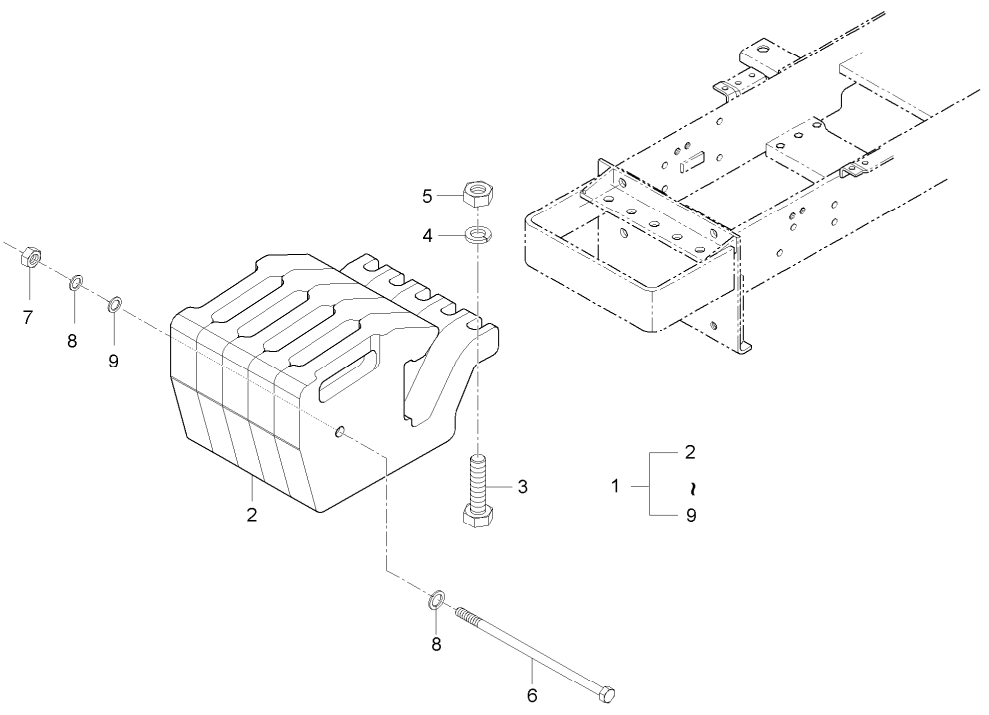
Weight frame and weights - front hook

daedong_X10\EX40-T1065E.png

Inglese

- 1 Wight
- 5 Weight
- 5 Bolt
- 5 Washer
- 5 Nut
- 1 Bolt
- 1 Nut
- 1 Washer
- 2 Washer

- M14*p1.5
- M12*1.25
- M12*1.25
- M12
- M12



Lighting equipment

X10 series (2011-) - RPK1 - X10.40M-EU

D-01-
EX40-
T1075
D01EX4
0T1075
D

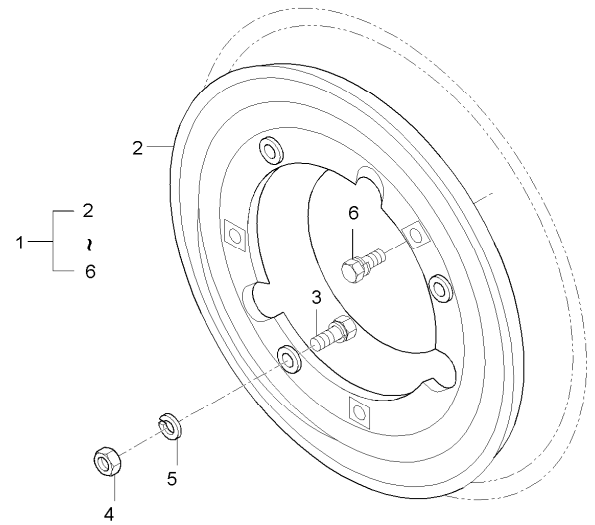
Wheel weights

daedong_X10\EX40-T1075D.png

Inglese

- 1 Weight
- 4 Weight
- 6 Bolt
- 12 Nut
- 12 Washer
- 6 Bolt

M16



Engine

X10 series (2011-) - RPK1 - X10.40M-EU

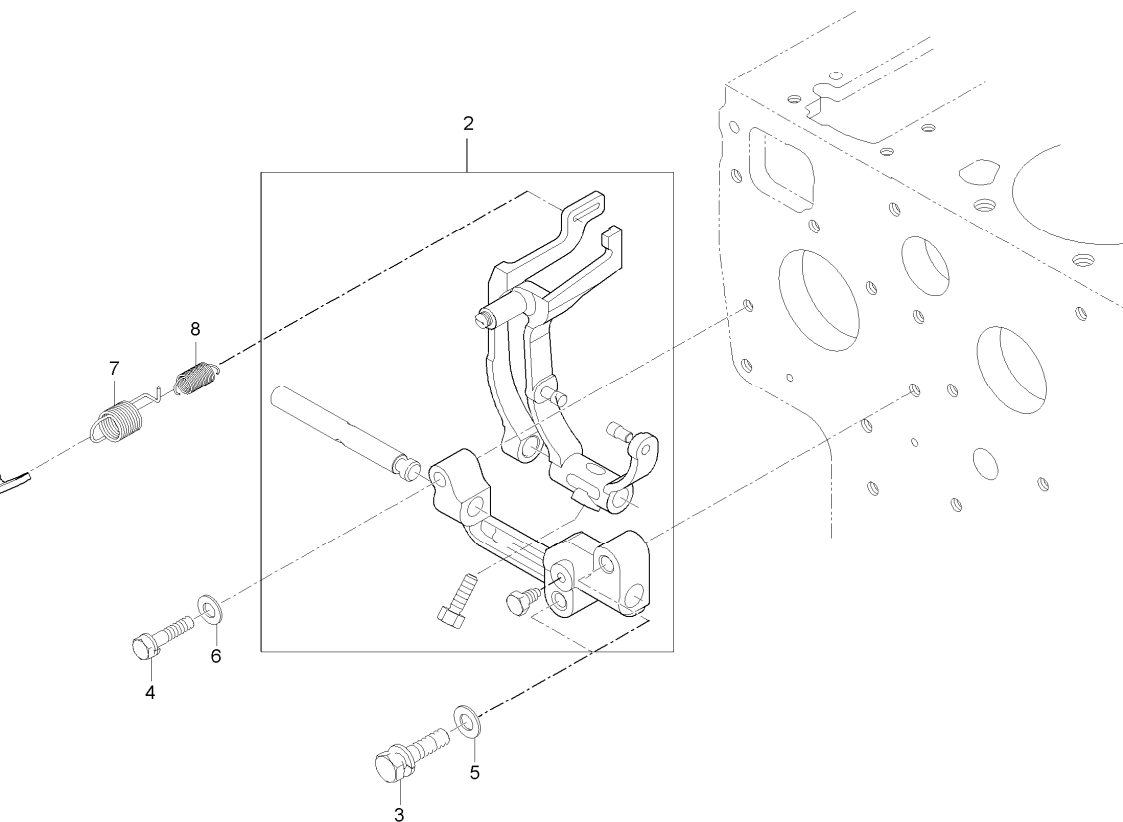
**E-04-
3A150**
E043A1
50LXE1



70

Hydraulic pump - double body - "bosch"

daedong_X10\3A150LX-E170.png



Inglese

- 1 Lever
- 1 Fork
- 2 Bolt
- 1 Bolt
- 2 Washer
- 1 Washer
- 1 Spring
- 1 Spring

- M8*p1.25
- Hex10*38
- Dia18*t1.2
- M6

Engine

X10 series (2011-) - RPK1 - X10.40M-EU

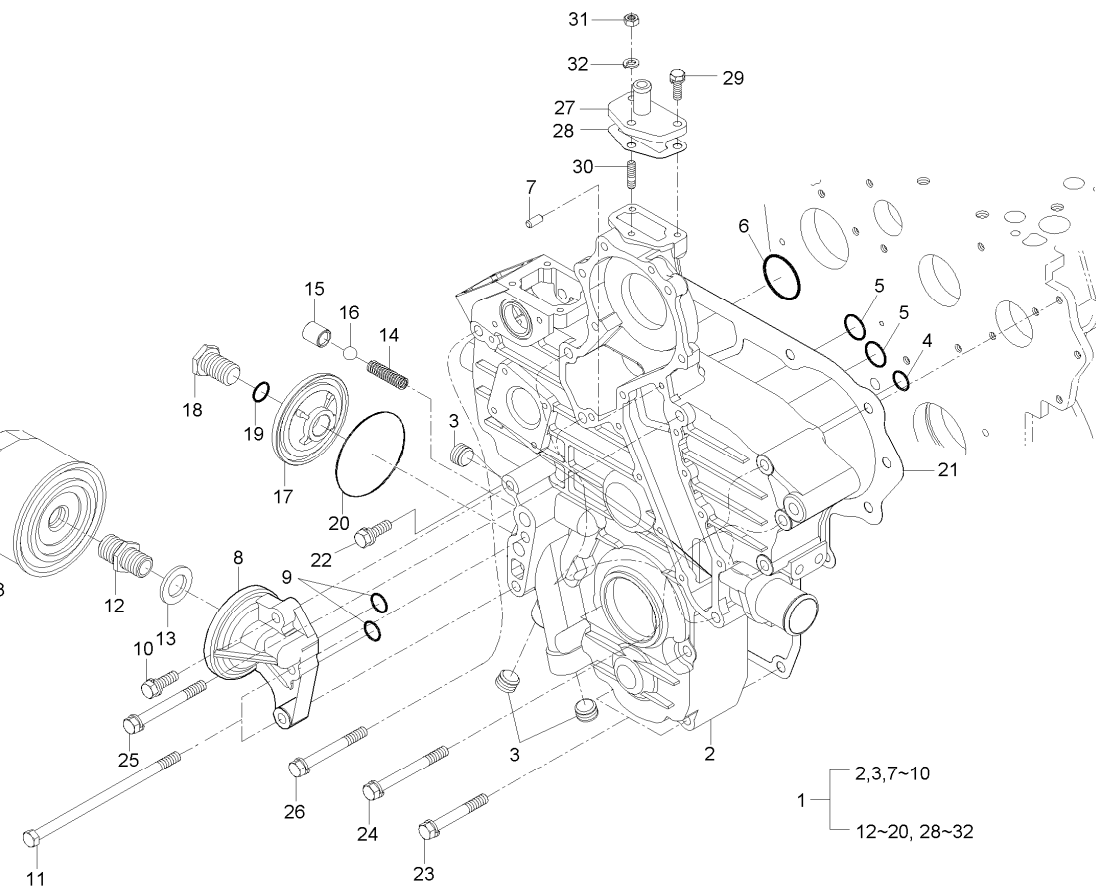
daedong_X10\3B183-E040.png

**E-04-
3B183-**



E043B1
83E040

Gear box: controls - rods and yokes



1 55850 A0000

Inglese

- 1 Gearbox
- 1 Case
- 3 Plug
- 1 Ring
- 2 Ring
- 1 Ring
- 2 Pin
- 1 Support
- 2 Ring
- M8x1.25 2 Bolt
- M8x1.25 1 Bolt
- Hex24,m20*1.5*4 1 Pipe
- T2.9 1 Washer
- Dia1.2 1 Spring
- Dia16*21 1 Seat
- 13/32"(10.3188) 1 Stay
- 1 Coperch.
- 1 Bolt
- 1 Ring
- 1 Ring
- 1 Gasket
- M8x1.25 1 Bolt
- M8*1.25 2 Bolt

Engine

X10 series (2011-) - RPK1 - X10.40M-EU

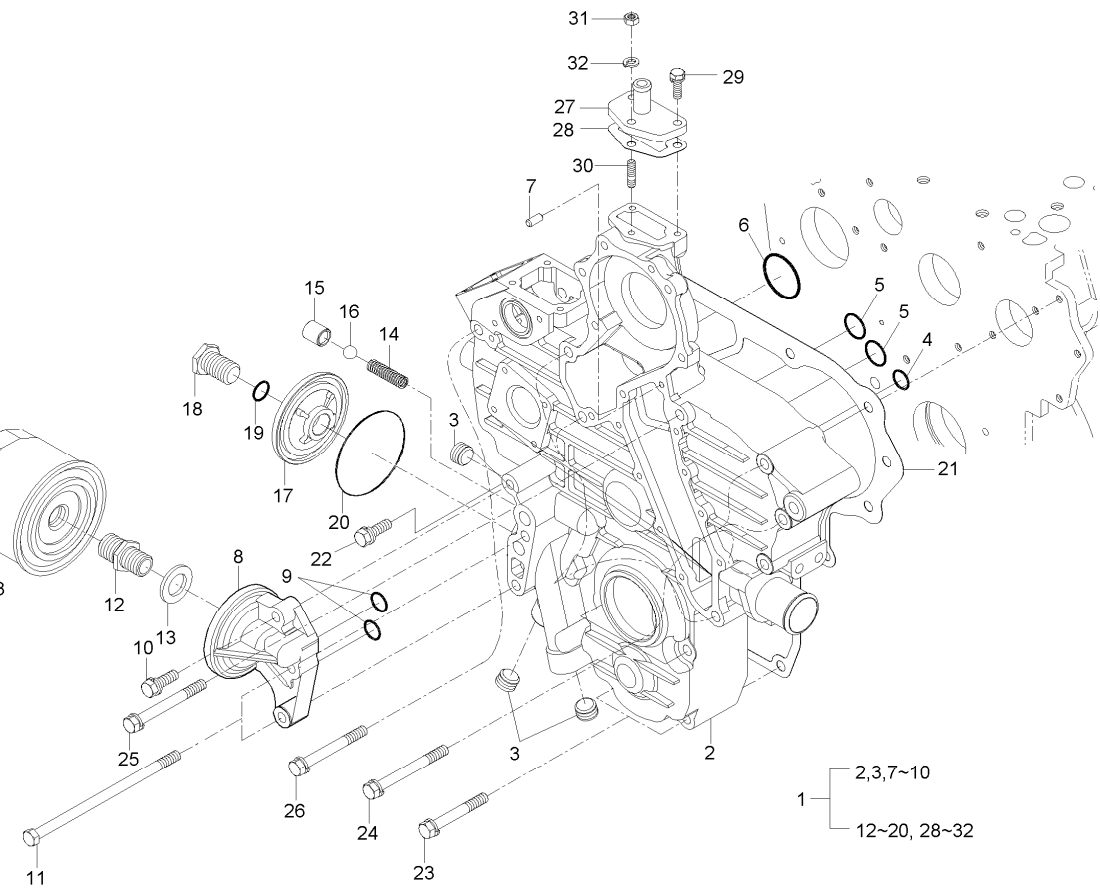
daedong_X10\3B183-E040.png

E-04-
3B183-



E043B1
83E040

Gear box: controls - rods and yokes



31 01100 50870

Inglese

- 5 Bolt
- 2 Bolt
- 3 Bolt
- 1 Flange
- 1 Gasket
- 2 Bolt
- 1 Stud
- 1 Nut
- 1 Washer
- 1 Filter

- T0.5
- M6*1.0
- Dia6*28
- M6*p1.0
- M6

2,3,7~10
1 12~20, 28~32

Thank you very much for reading. need complete manual.

Please Go back to the website, at its bottom.

There is a button. BUY NOW...

You can get this complete manual instantly. NO WAITING.

Please click here.



**Have questions. Please write to us.
aservicemanuapdf@yahoo.com**