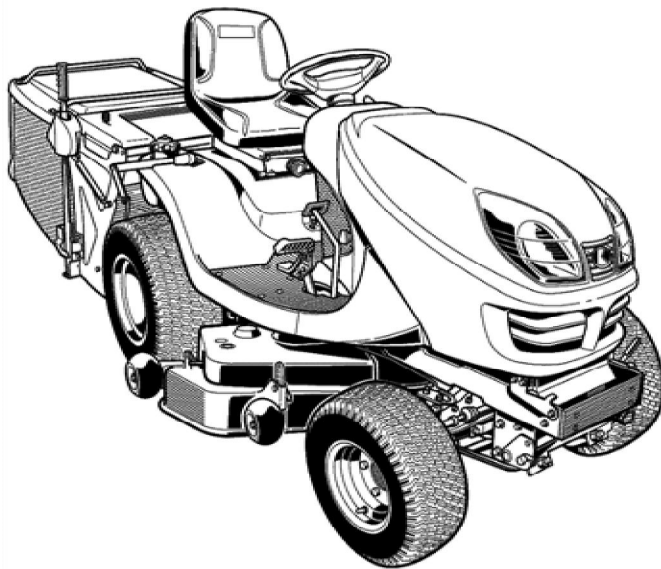


Update Date : 06-06-2019 Print Date : 10-03-2022

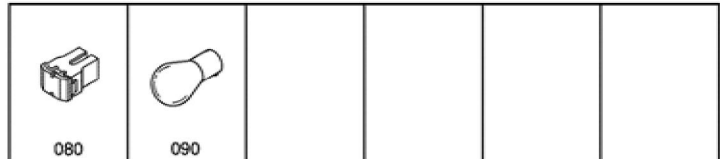
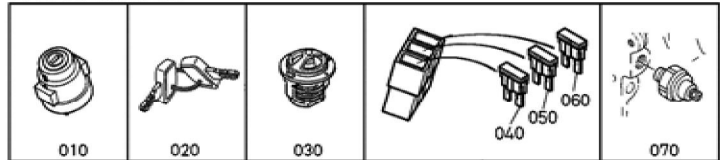
GR1600EU-2



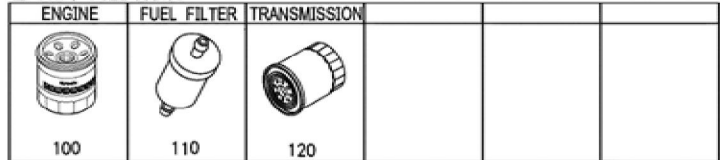
FUIGG-063-10

Item	Capacity	Change Interval
Engine Oil	1.2L	after the first 50 hours of operation.
Engine Oil Filter		after the first 50 hours of operation.

■ ELECTRICAL PARTS



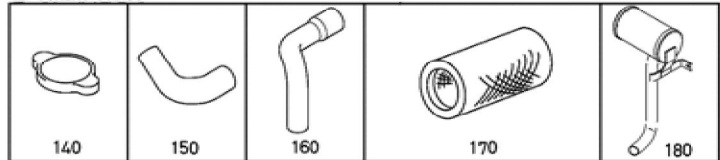
■ OIL / FUEL PARTS

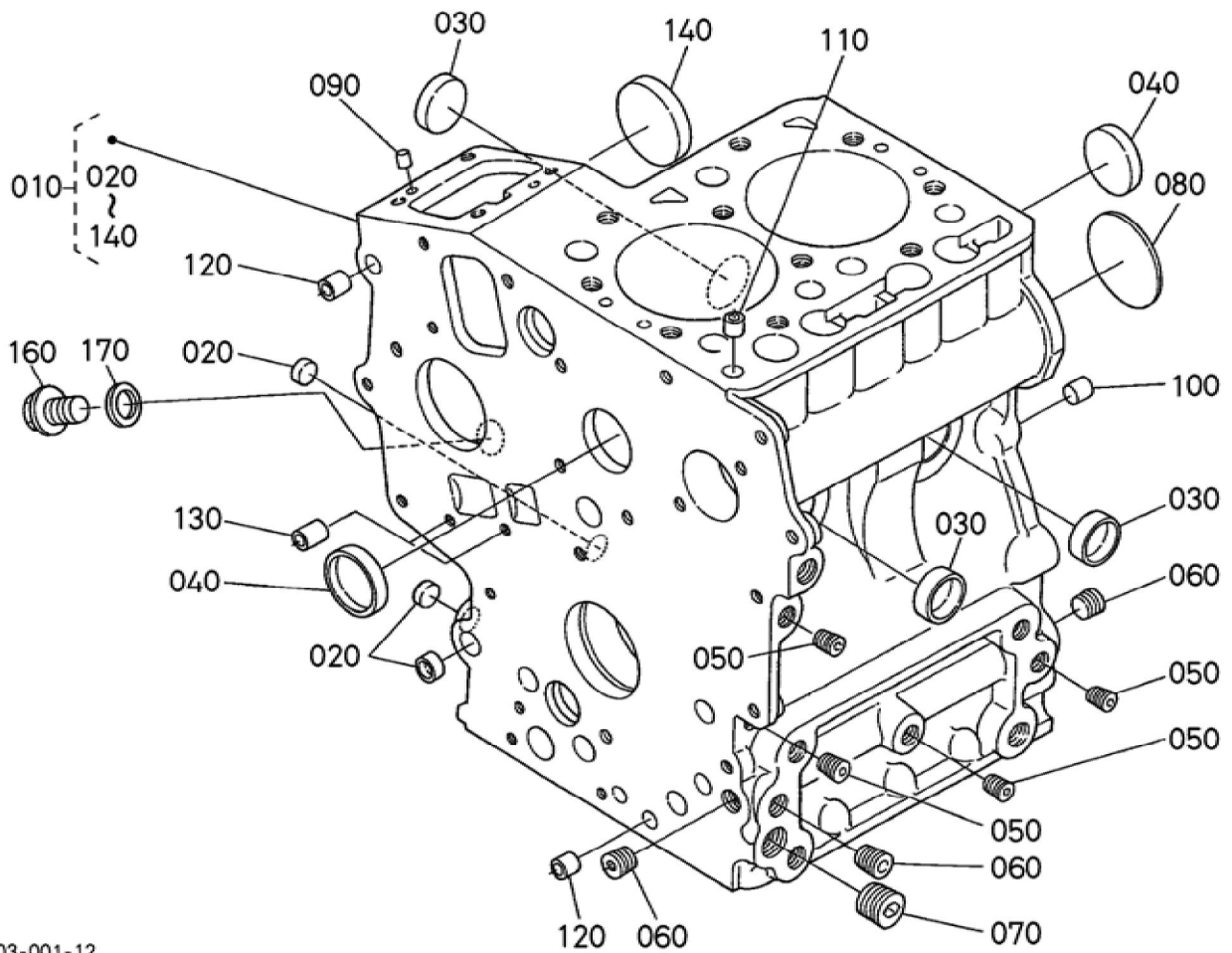


■ BELT



■ OTHERS PARTS

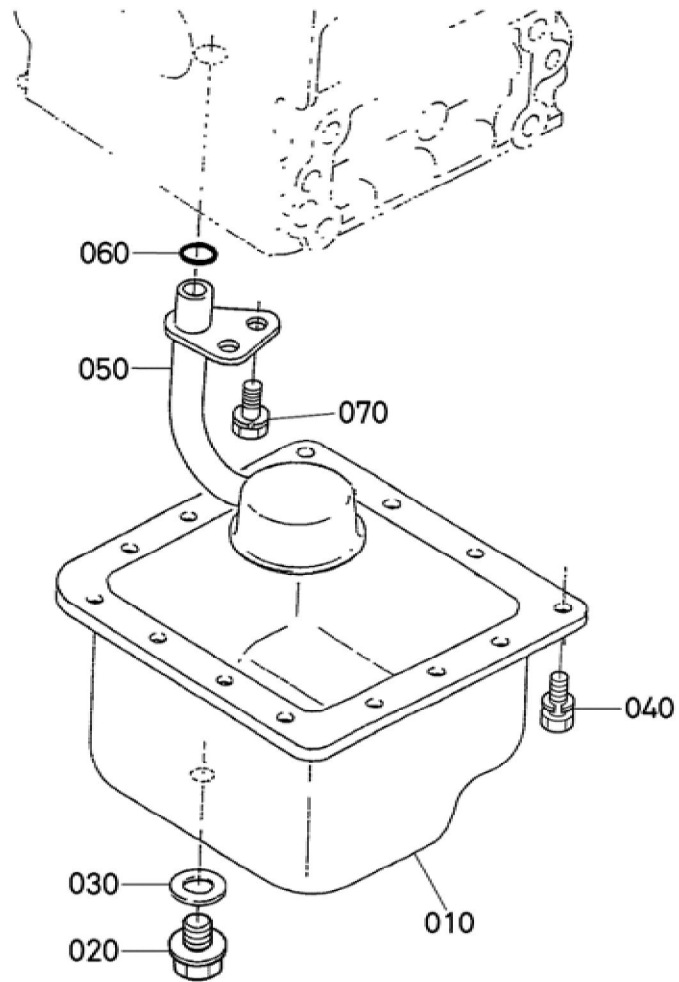




BKIDA5085 >> GR1600EU-2 >> MOTOR / ENGINE >> 000100 KURBELGHAEUSE / CRANKCASE

Update Date : 06-06-2019 Print Date : 10-03-2022

No.	Part Number	Part Name (POL)	Part Name (ENG)	QTY	IC	Serial No./PIN	Kg	Remarks
010	1J090-01020	KOMP.KURBELGEHAEUSE	CRANKCASE, COMP	1			15.370	
020	16851-96260	KAPPE	CAP,SEALING	3			0.005	
030	16851-96270	KAPPE	CAP,SEALING	3			0.005	
040	15451-96270	KAPPE	CAP,SEALING	2			0.010	
050	15261-96010	STOPFEN	PLUG	4			0.002	
060	15521-96020	STOPFEN	PLUG	3			0.003	
070	15521-96030	STOPFEN	PLUG	1			0.007	
080	15261-96160	STOPFEN	PLUG,EXPANSION	1			0.020	
090	05012-00508	ZYLINDERSTIFT	PIN,STRAIGHT	2			0.001	
100	05012-00814	ZYLINDERSTIFT	PIN,STRAIGHT	2			0.006	
110	15221-33650	ROHRSTIFT	PIN,PIPE	1			0.004	
120	17331-59190	ROHRSTIFT	PIN,PIPE	2			0.002	
130	17331-59190	ROHRSTIFT	PIN,PIPE	2			0.002	
140	16851-16212	DECKEL	COVER,FUEL CAMSHAFT	1			0.030	
160	06311-55020	STOPFEN	PLUG	1			0.031	
170	04717-01320	GUMMIUNTERLAGE	WASHER,SEAL	1			0.002	

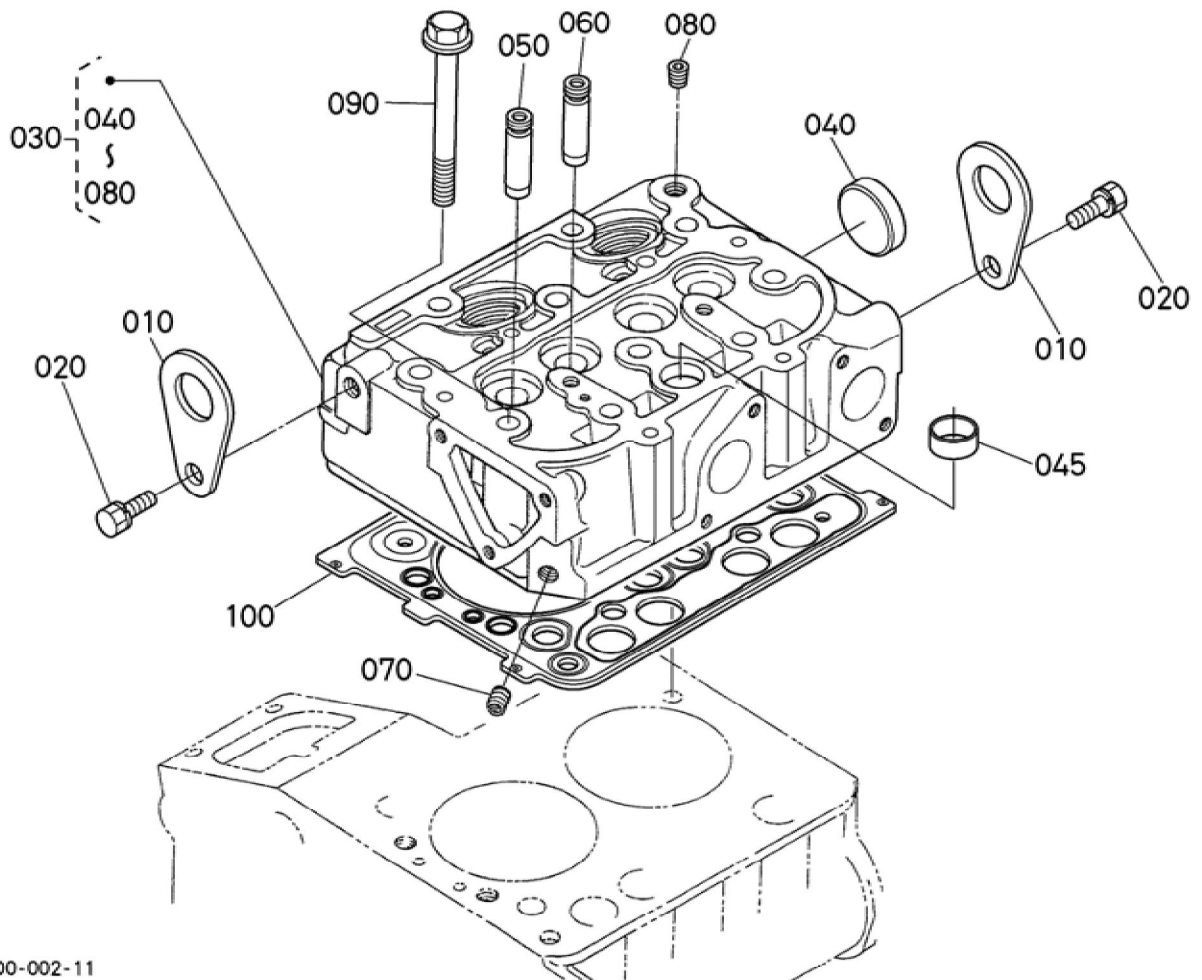


1J000-001-10

BKIDA5085 >> GR1600EU-2 >> MOTOR / ENGINE >> 000200 OL-FANGER / OIL PAN

Update Date : 06-06-2019 Print Date : 10-03-2022

No.	Part Number	Part Name (POL)	Part Name (ENG)	QTY	IC	Serial No./PIN	Kg	Remarks
010	15852-01500	KOMP.OELW ANNE	PAN,OIL,COM P	1			0.800	
020	13901-33750	ENTLEERUN GSSTOPFEN	PLUG,DRAIN	1			0.025	
030	6C090-58960	DICHTUNGSP LATTE	GASKET	1			0.005	
040	01023-50612	BOLZEN	BOLT,SEMS	14			0.005	
050	16851-32110	OELFILTER	FILTER,OIL	1			0.110	
060	04814-00160	O RING	O RING	1			0.001	
070	01123-50814	BOLZEN	BOLT,SEMS	1			0.010	





Download the full PDF manual instantly.

Our customer service e-mail:

aservicemanualpdf@yahoo.com