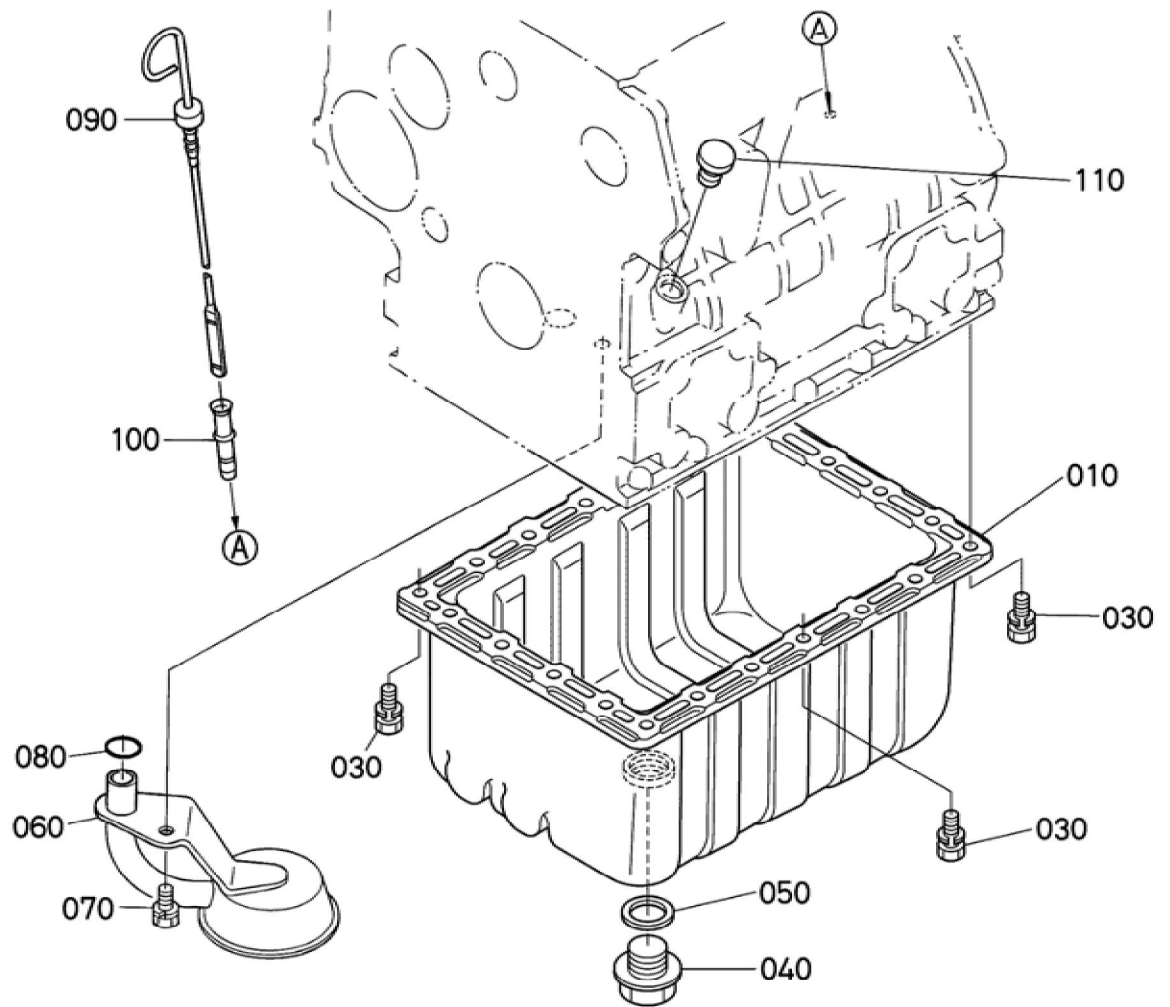


## BKIDA5075 &gt;&gt; U27-4 &gt;&gt; MOTOR / ENGINE &gt;&gt; 000100 KURBELGHAEUSE / CRANKCASE

Update Date : 2020/05/28 Print Date : 2022/02/25

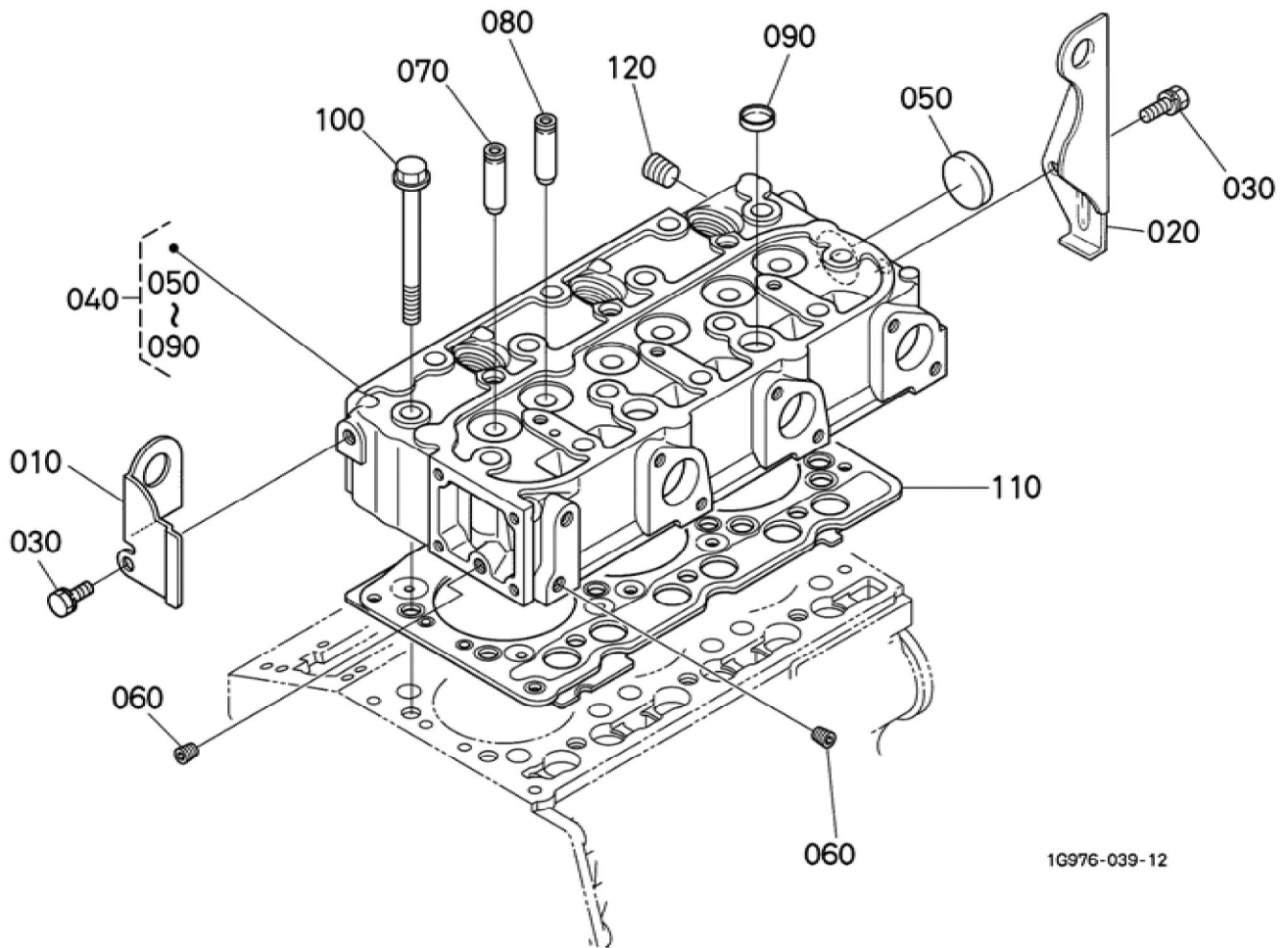
No.	Part Number	Part Name (POL)	Part Name (ENG)	QTY	IC	Serial No./PIN	Kg	Remarks
010	1G694-01012	KOMP.KURBELGEHAEUSE	COMP.CRANKCASE	1			31.000	
020	15451-96270	KAPPE	CAP,SEALING	4			0.010	
030	15221-03490	STOPFEN	CAP,SEALING	1			0.020	
040	15261-96010	STOPFEN	PLUG	3			0.002	
050	16683-96020	STOPFEN	PLUG	1			0.088	
060	16241-96010	STOPFEN	PLUG	3			0.007	
070	15521-96020	STOPFEN	PLUG	2			0.003	
080	17391-96160	STOPFEN	PLUG,EXPANSION	3			0.003	
090	16271-96160	STOPFEN	PLUG,EXPANSION	1			0.025	
100	05012-00508	ZYLINDERSTIFT	PIN,STRAIGHT	2			0.001	
110	05012-00814	ZYLINDERSTIFT	PIN,STRAIGHT	2			0.006	
120	05012-00610	ZYLINDERSTIFT	PIN,STRAIGHT	2			0.003	
130	15231-33960	ROHRSTIFT	PIN,PIPE	2			0.001	
140	16241-33650	ROHRSTIFT	PIN,PIPE	1			0.002	
150	16241-96262	STOPFEN	PLUG,FUELCAMSHAFT	1			0.007	
160	16261-56280	STARTFEDERSTIFT	PIN(START SPRING)	1			0.004	
170	16282-96010	STOPFEN	PLUG	1			0.090	
180	16271-55350	BUCHSE	BUSHING (GEAR,GOVERNOR)	1			0.060	
190	1G896-33610	BOLZEN	PLUG	1			0.008	
200	15021-33660	DICHTUNGSPLATTE	PACKING	1			0.001	
220	06311-55020	STOPFEN	PLUG	1			0.031	
230	T1850-39010	OELDRUCKSCHALTER	SWITCH,OIL	1			0.040	
240	04724-00130	DICHTUNGSPLATTE	GASKET	1		<=1HTZ999	0.003	
240	04717-01320	GUMMIUNTERLAGE	WASHER,SEAL	1	>>	>=1HU0001	0.002	



## BKIDA5075 &gt;&gt; U27-4 &gt;&gt; MOTOR / ENGINE &gt;&gt; 000200 OL-FANGER / OIL PAN

Update Date : 2020/05/28 Print Date : 2022/02/25

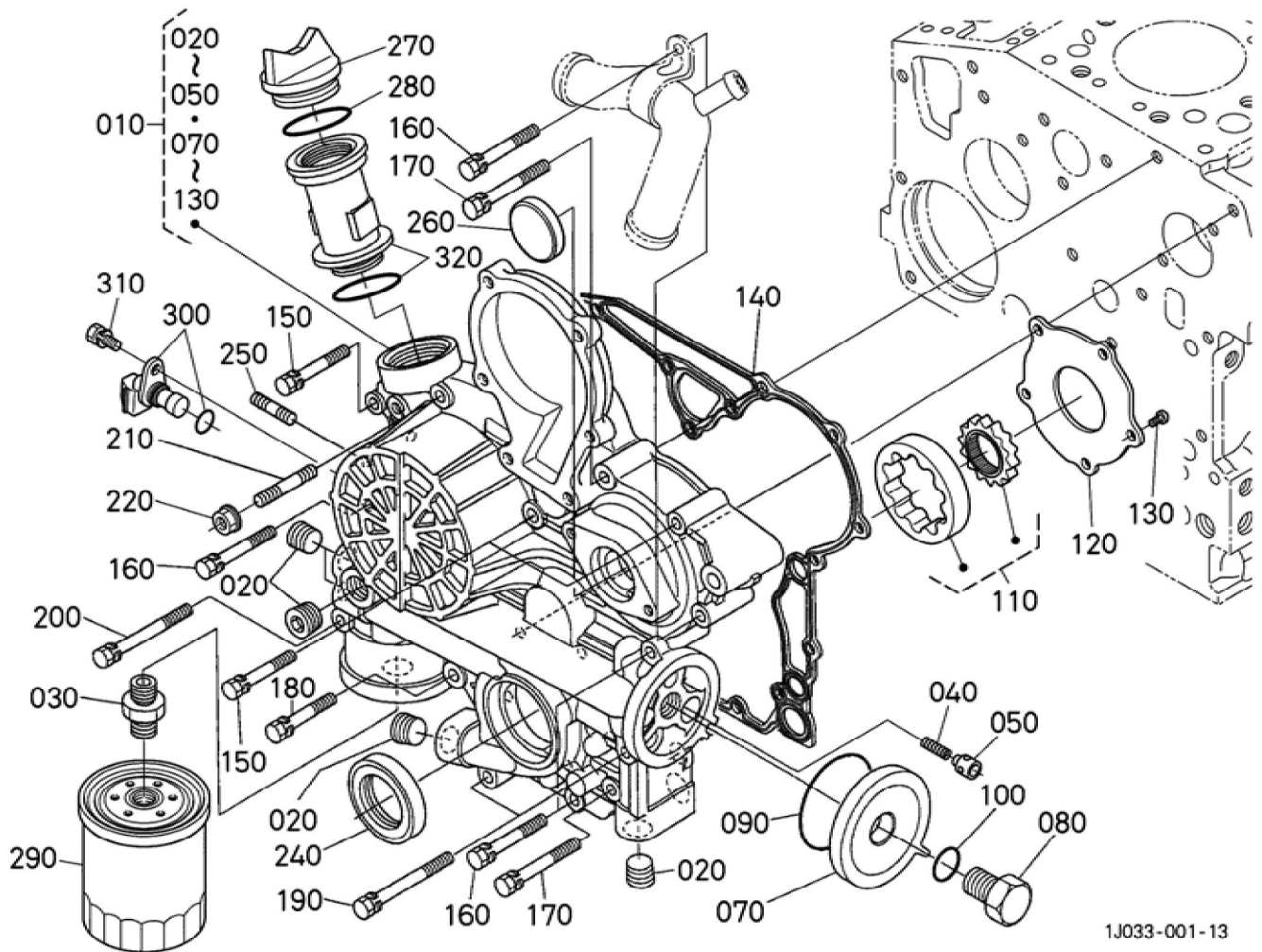
No.	Part Number	Part Name (POL)	Part Name (ENG)	QTY	IC	Serial No./PIN	Kg	Remarks
010	17553-01500	KOMP.OELW ANNE	COMP.OIL PAN	1			1.400	
030	01023-50614	BOLZEN	BOLT,SEMS	22			0.005	
040	15707-33750	ENTLEERUN GSSTOPFEN	PLUG(DRAIN)	1			0.095	
050	16265-96670	DICHTUNG	PACKING	1			0.010	
060	16261-32117	OELFILTER	FILTER,OIL	1			0.210	
070	01123-50816	SCHRAUBE	BOLT,SEMS	1			0.011	
080	04814-00160	O RING	O RING	1			0.001	
090	17422-36410	OELMESSST AB	GAUGE,OIL	1			0.035	
100	17456-36420	FUEHRUNG, OELMESSST AB	GUIDE (GAUGE,OIL)	1			0.030	
110	1G513-36550	STOPFEN, OELMESSST AB	PLUG,OIL GAUGE	1			0.004	



## BKIDA5075 &gt;&gt; U27-4 &gt;&gt; MOTOR / ENGINE &gt;&gt; 000300 ZYLINDERKOPF / CYLINDER HEAD

Update Date : 2020/05/28 Print Date : 2022/02/25

No.	Part Number	Part Name (POL)	Part Name (ENG)	QTY	IC	Serial No./PIN	Kg	Remarks
010	16241-01753	HAKEN	HOOK,ENGINE	1			0.140	
020	16241-01770	MOTORHAKEN	HOOK,ENGINE	1			0.175	
030	01123-50814	BOLZEN	BOLT,SEMS	2			0.010	
040	1J033-03040	KOMP.ZYLINDERKOPF	COMP.CYLINDER HEAD	1			9.000	
050	15321-96260	KAPPE	CAP,SEALING	1			0.014	
060	15261-96010	STOPFEN	PLUG	2			0.002	
070	16261-13540	EINLASSVENTILFUEHRUNG	GUIDE,INLET VALVE	3			0.020	
080	16261-13560	AUSLASSVENTILFUEHRUNG	GUIDE,EXHAUST VALVE	3			0.019	
090	15261-03370	STOEPSSEL,ABDICHTUNG	CAP,SEALING	2			0.005	
100	16241-03450	ZYLINDERKOPFSCHRAUBE	BOLT,HEAD (CYLINDER)	14			0.050	
110	1G063-03310	ZYLINDERKOPFDICHTUNG	GASKET (HEAD,CYL)	1			0.160	
120	15841-96020	STOPFEN	PLUG	1			0.020	



## BKIDA5075 &gt;&gt; U27-4 &gt;&gt; MOTOR / ENGINE &gt;&gt; 000400 GETRIEBEGEHAEUSE / GEAR CASE

Update Date : 2020/05/28 Print Date : 2022/02/25

No.	Part Number	Part Name (POL)	Part Name (ENG)	QTY	IC	Serial No./PIN	Kg	Remarks
010	1G872-04023	KMP.GETRIEBEGEHAEUSE	COMP.CASE, GEAR	1			3.040	
020	16241-96020	STOPFEN	PLUG	5			0.015	
030	15241-32290	VERBINDUNGSSSTUECK	JOINT,PIPE	1			0.053	
040	1J050-36950	FEDER	SPRING	1			0.004	
050	1J050-36930	UEBERLAUFVENTIL	VALVE (RELIEF)	1			0.005	
070	16259-32882	DECKEL	COVER	1			0.090	
080	16259-32900	BOLZEN	BOLT	1			0.080	
090	04814-50600	O RING	O RING	1			0.002	
100	04814-00150	O RING	O RING	1			0.001	
110	16241-35070	ROTOR KOMP.	ASSY ROTOR,OIL PUMP	1		<=1EFZ999	0.270	
110	1J050-35070	ROTOR KOMP.	ROTOR,ASSY (OIL PUMP)	1	NI	>=1EG0001	0.244	
120	16259-35132	DECKEL, OELPUMPE	COVER,OIL PUMP	1		<=1EFZ999	0.070	
120	16219-35130	OELPUMPED ECKEL	COVER	1	NI	>=1EG0001	0.092	
130	16241-93120	SCHRAUBE	SCREW,CSK-HD	5		<=1EFZ999	0.005	
130	03017-50614	SCHRAUBE	SCREW,BINDING(PHILLIPS)	5	NI	>=1EG0001	0.005	
140	16264-04132	DICHTUNG	GASKET,GEAR CASE	1			0.010	
150	01023-50645	BOLZEN	BOLT,SEMS	3			0.010	
160	01023-50650	BOLZEN	BOLT,SEMS	4			0.012	
170	01023-50655	BOLZEN	BOLT,SEMS	2			0.012	
180	15841-91040	BOLZEN	BOLT	1			0.010	
190	16241-91040	BOLZEN	BOLT	2			0.015	
200	16259-91040	BOLZEN	BOLT	1			0.016	
210	16245-91530	STEBOLZEN	STUD	1			0.010	
220	02751-50060	MUTTER	NUT,FLANGE	1			0.005	
240	16259-04210	OELDICHTUNGSRING	SEAL,OIL	1			0.015	
250	16245-91540	STEBOLZEN	STUD	2			0.005	

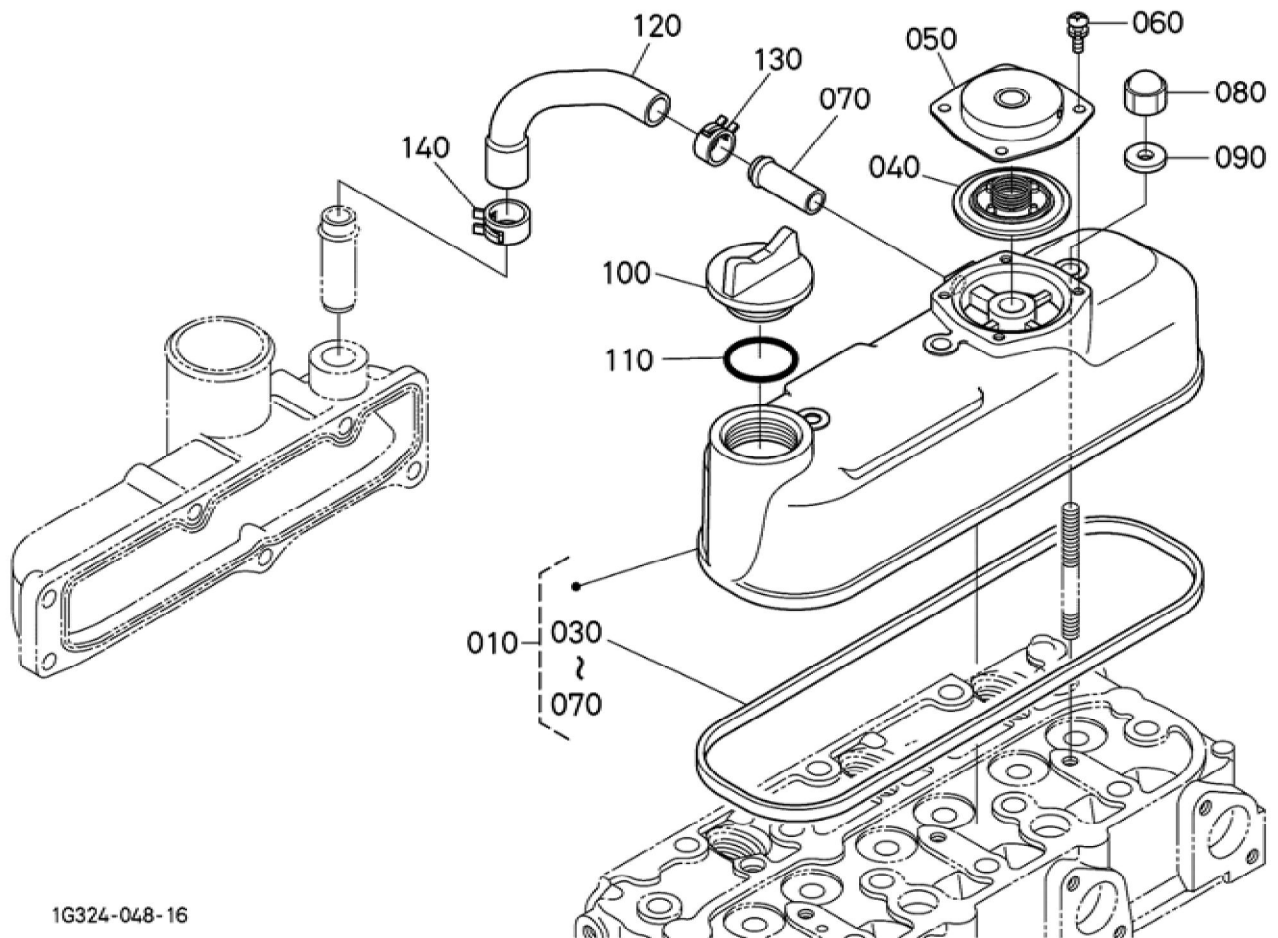


## BKIDA5075 &gt;&gt; U27-4 &gt;&gt; MOTOR / ENGINE &gt;&gt; 000400 GETRIEBEGEHAEUSE / GEAR CASE

Update Date : 2020/05/28 Print Date : 2022/02/25

No.	Part Number	Part Name (POL)	Part Name (ENG)	QTY	IC	Serial No./PIN	Kg	Remarks
260	16264-83342	DECKEL, GETRIEBEGE HAEUSE	COVER,GEAR CASE	1			0.010	
270	E9151-33140	OELINFUEL LSTOPFEN	PLUG(OIL FILLER)	1			0.017	
280	1J001-96770	O RING	O RING	1			0.001	
290	HH150-32094	OELFILTERP ATRONE	CARTRIDGE OIL FILTER	1			0.300	
300	T1060-32270	DREHZAHL ENSOR	SENSOR	1		<=1HVZ999	0.022	
300	5H911-42622	EINHEIT	SENSOR (REVOLUTIO N)	1	>>	>=1HW0001	0.025	
300	1G171-59660	DREHZAHL ENSOR	SENSOR (REVOLUTIO N)	1	>>	>=1JY0001	0.020	
310	01023-50616	BOLZEN	BOLT,SEMS	1			0.006	
320	15951-33113	OELFILTERFL ANSCH	FLANGE,OIL FILLER	1			0.130	

Update Date : 2020/05/28 Print Date : 2022/02/25

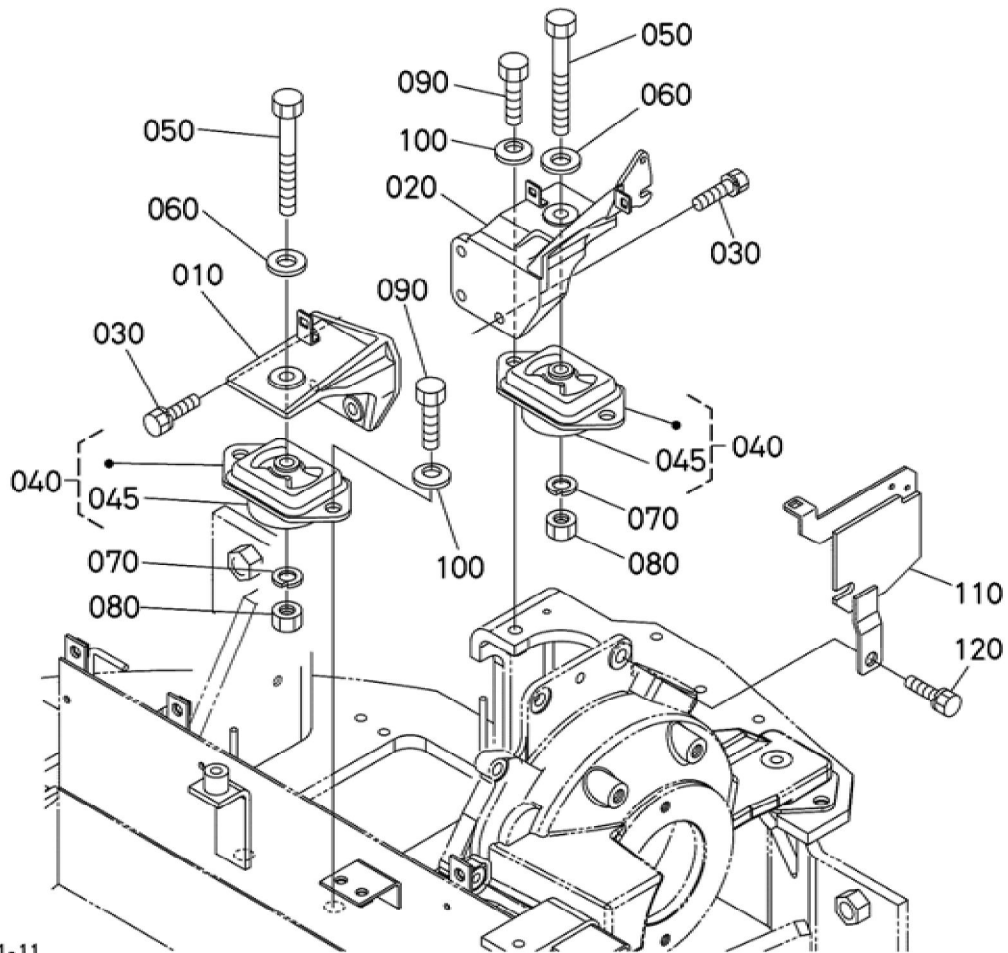


1G324-048-16

## BKIDA5075 &gt;&gt; U27-4 &gt;&gt; MOTOR / ENGINE &gt;&gt; 000500 ZYLINDERKOPF-DECKEL / HEAD COVER

Update Date : 2020/05/28 Print Date : 2022/02/25

No.	Part Number	Part Name (POL)	Part Name (ENG)	QTY	IC	Serial No./PIN	Kg	Remarks
010	1G032-14507	VENTILDECKEL	ASSY COVER,CYL. HEAD	1		<=1FHZ999	0.750	
010	1G032-14508	ZYLINDERKOPFHAUBE	ASSY COVER,CYL. HEAD	1	>>	>=1FJ0001	0.750	
010	1G032-14509	DECKEL OBEN,KOMP.	ASSY COVER,CYL. HEAD	1	>>	>=1HU0001	0.780	
010	1G032-14580	DECKEL OBEN,KOMP.	COVER,HEAD ,ASSY	1	>>	>=1JQ0001	0.800	
030	16261-14524	VENTILDECKELDICHTUNG	GASKET,HEAD COVER	1			0.010	
040	1G911-05203	ENTLUEFTER	COMP VALVE,BREATHER	1			0.010	
050	1G801-05120	ENTLUEFTER DECKEL	COVER,BREATHER	1			0.035	
060	03024-50510	SCHRAUBE	SCREW,SEMS(PAN HEAD)	4			0.002	
070	17331-73342	WASSERROHR	PIPE,WATER RETURN	1			0.010	
080	15952-92330	MUTTER	NUT,CAP	3			0.010	
090	15951-96660	DICHTUNGSPLATTE	PACKING	3			0.001	
100	E9151-33140	OELEINFUELLSTOPFEN	PLUG(OIL FILLER)	1			0.017	
110	1J001-96770	O RING	O RING	1			0.001	
120	1G053-05510	ENTLUEFTUNGSROHR	TUBE,BREATHER	1		<=1JMZ999	0.018	ORDER BY REF.No.120 NEW PART
120	1G053-05512	ROHR	TUBE,BREATHER	1	>>	>=1JN0001	0.018	
130	09318-88150	SCHLAUCHBINDER	CLAMPHOSE	1			0.004	
140	16259-05580	SCHLAUCHBINDER	BAND,PIPE	1			0.030	

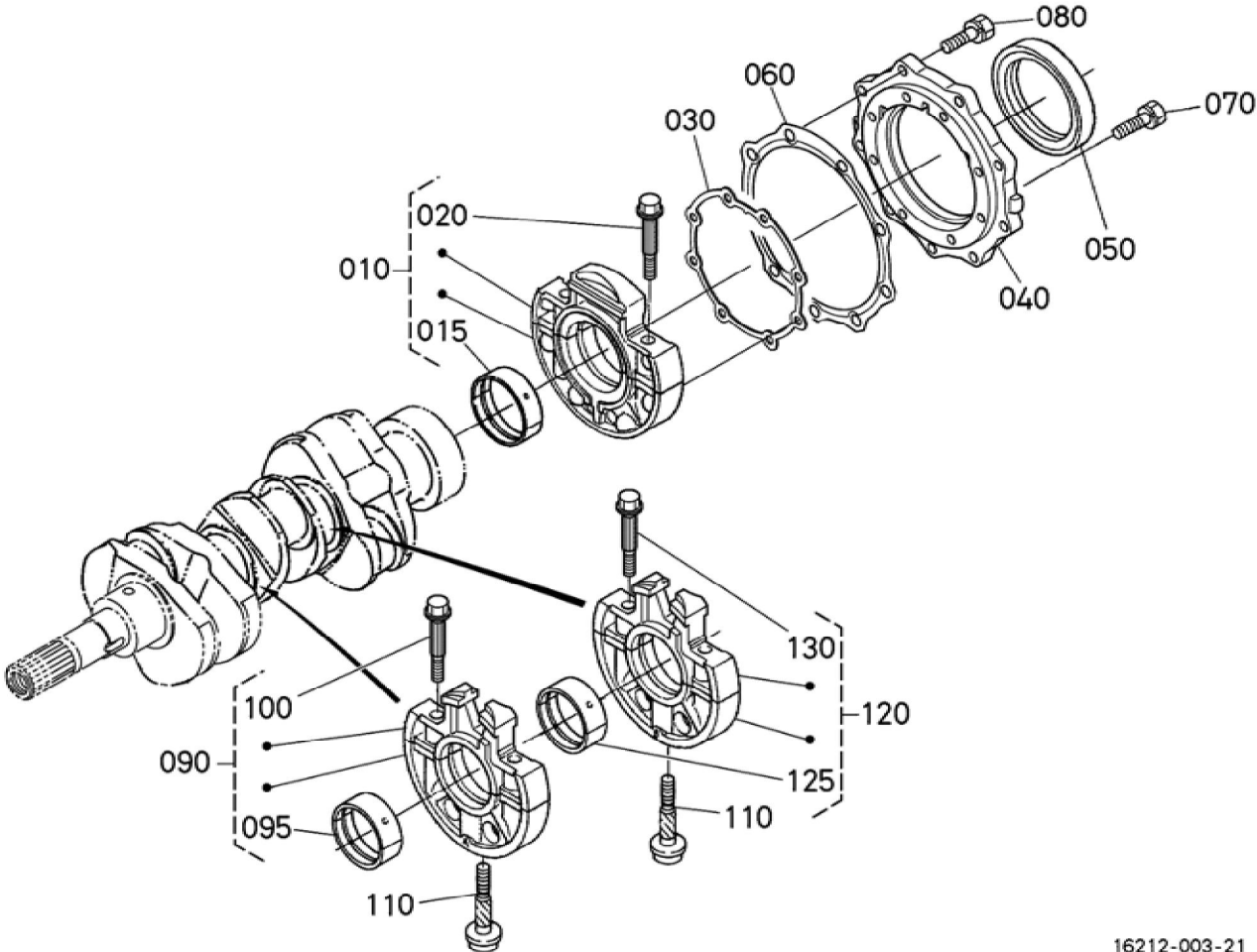


## BKIDA5075 &gt;&gt; U27-4 &gt;&gt; MOTOR / ENGINE &gt;&gt; 003000 MOTOR TRAEGER / ENGINE BRACKET

Update Date : 2020/05/28 Print Date : 2022/02/25

No.	Part Number	Part Name (POL)	Part Name (ENG)	QTY	IC	Serial No./PIN	Kg	Remarks
010	RH418-42110	TRAEGER,MOTOR	BRACKET (1,ENGINE)	1			1.285	
020	RH418-42120	TRAEGER,MOTOR	BRACKET (2,ENGINE)	1			1.645	
030	01133-51025	SCHRAUBE	BOLT,SEMS	6			0.023	
040	RB411-42164	GUMMIPUFFER	CUSHION,RUBBER	2			0.690	
045	RB411-42170	STOPFEN	STOPPER	2			0.150	
050	01173-51290	BOLZEN	HEX.BOLT	2			0.089	
060	04013-50120	SCHEIBE	WASHER,PLAIN	2			0.007	
070	04512-50120	FEDERRING	WASHER,SPRING LOCK	2			0.003	
080	02174-50120	MUTTER	HEX.NUT	2			0.010	
090	01176-51235	BOLZEN	HEX.BOLT	4			0.041	
100	35340-27370	FEDER-PLATTE	SPRING,PLATE	4			0.015	
110	RH418-53452	MOTORFUSS	BRACKET (W/H,ENGINE)	1		<=57196	0.000	
110	RH418-53454	MOTORFUSS	BRACKET (W/H,ENGINE)	1	>>	>=57197	0.300	
120	01123-50814	BOLZEN	BOLT,SEMS	1		<=57196	0.010	
120	01125-50816	SCHRAUBE	BOLT,WSEMS	1	>>	>=57197	0.013	

Update Date : 2020/05/28 Print Date : 2022/02/25



## BKIDA5075 &gt;&gt; U27-4 &gt;&gt; MOTOR / ENGINE &gt;&gt; 010000 HAUPTLAGERGEHÄUSE / MAIN BEARING CASE

Update Date : 2020/05/28 Print Date : 2022/02/25

No.	Part Number	Part Name (POL)	Part Name (ENG)	QTY	IC	Serial No./PIN	Kg	Remarks
010	16292-07095	GRP.LAGERGEHAEUSE	CASE,BRG,ASSY(WHEEL)	1		<=1HFZ999	1.100	
010	16292-07097	LAGERGEHAEUSE,KOMP.	ASSY BRG CASE	1	>>	>=1HG0001	1.100	
015	16292-23494	LAGERSCHAULE	METAL,CRANKSHAFT	1			0.070	STD/SET
015	16292-23864	LAGERSCHAULE	METAL,CRANKSHAFT	1			0.050	-0.20mm/SET
015	16292-23874	LAGERSCHAULE	METAL,CRANKSHAFT	1			0.050	-0.40mm/SET
020	16241-04540	BOLZEN,LAGERKASTEN	BOLT,BEARING CASE	2			0.020	
030	1J095-04360	DICHTUNG,LAGER	GASKET (BRG.CASE)	1			0.006	
040	16241-04815	DECKEL,LAGERKASTEN	COVER (CASE,BRG)	1			0.220	
050	16285-04460	DELDICHTUNGSRING	SEAL,OIL	1			0.003	
060	16264-04822	DICHTUNG	GASKET	1			0.008	
070	1G679-91010	BOLZEN	BOLT	8		<=1HFZ999	0.007	
070	1G679-91012	BOLZEN	BOLT	8	NI	>=1HG0001	0.007	
080	1G679-91020	BOLZEN	BOLT	9		<=1HFZ999	0.006	
080	1G679-91022	BOLZEN	BOLT	9	NI	>=1HG0001	0.006	
090	16261-07047	GRP.LAGERGEHAEUSE	ASSY BRG.CASE,MAIN	1			0.860	
095	16292-23483	LAGERSCHAULE	METAL,CRANKSHAFT	1			0.050	STD/SET
095	16292-23933	LAGERSCHAULE	METAL,CRANKSHAFT	1			0.050	-0.20mm SET
095	16292-23943	LAGERSCHAULE	METAL,CRANKSHAFT	1			0.050	-0.40mm SET
100	16241-04540	BOLZEN,LAGERKASTEN	BOLT,BEARING CASE	2			0.020	
110	16241-04560	BOLZEN,LAGERKASTEN	BOLT (CASE,BRG)	2			0.030	
120	16261-07057	GRP.LAGERGEHAEUSE	ASSY BRG.CASE,MAIN	1			0.800	

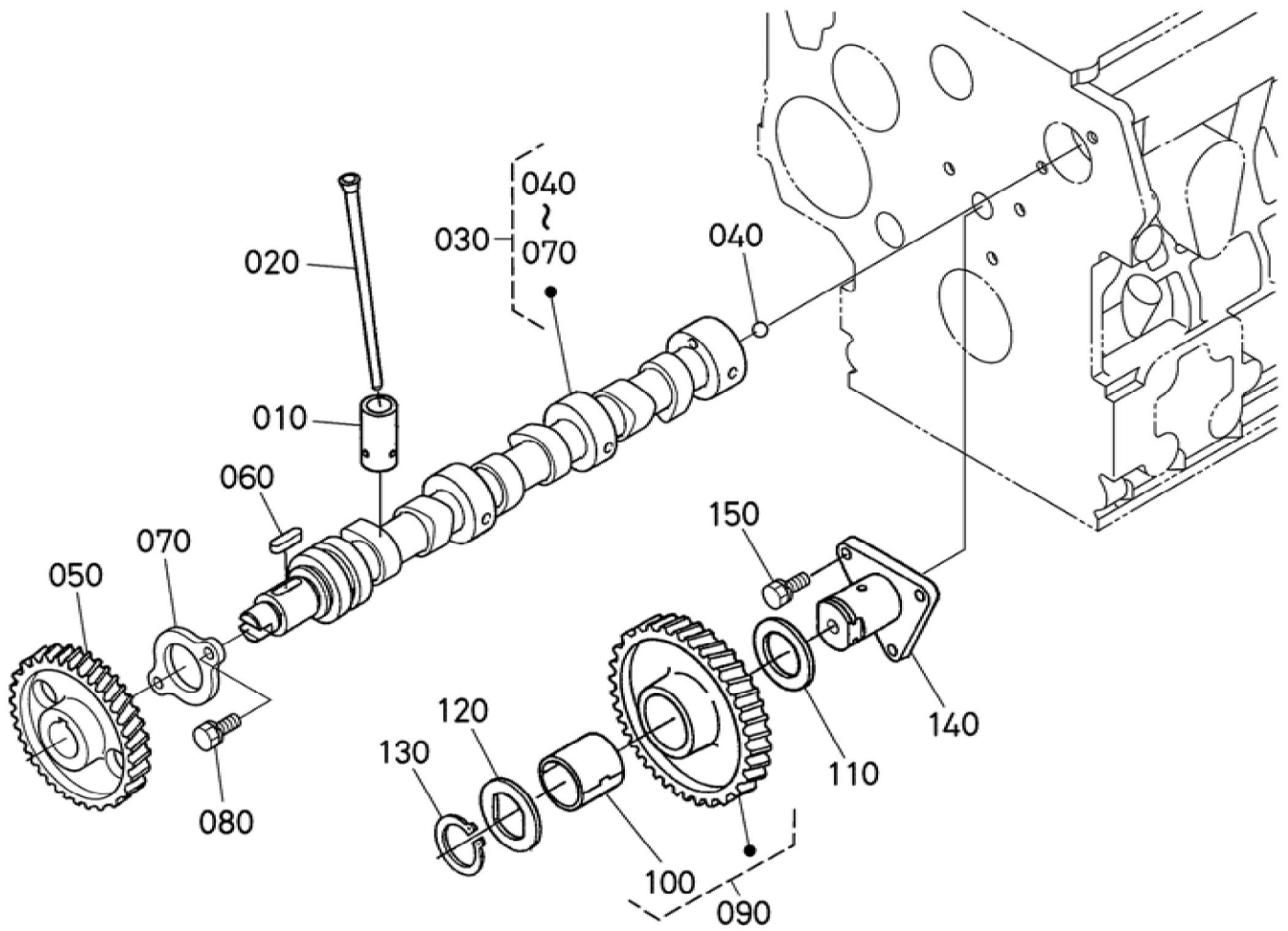
## BKIDA5075 &gt;&gt; U27-4 &gt;&gt; MOTOR / ENGINE &gt;&gt; 010000 HAUPTLAGERGEHÄUSE / MAIN BEARING CASE

Update Date : 2020/05/28 Print Date : 2022/02/25

No.	Part Number	Part Name (POL)	Part Name (ENG)	QTY	IC	Serial No./PIN	Kg	Remarks
125	16292-23483	LAGERSCHALE	METAL,CRANKSHAFT	1			0.050	STD/SET
125	16292-23933	LAGERSCHALE	METAL,CRANKSHAFT	1			0.050	-0.20mm SET
125	16292-23943	LAGERSCHALE	METAL,CRANKSHAFT	1			0.050	-0.40mm SET
130	16241-04540	BOLZEN,LAGERKASTEN	BOLT,BEARING CASE	2			0.020	



Update Date : 2020/05/28 Print Date : 2022/02/25



Update Date : 2020/05/28 Print Date : 2022/02/25

No.	Part Number	Part Name (POL)	Part Name (ENG)	QTY	IC	Serial No./PIN	Kg	Remarks
010	1G673-15550	STOESSEL	TAPPET	6			0.035	
020	16241-15114	STOESSELSTANGE	PUSH ROD	6			0.028	
030	1J033-16010	GRP.NOCKENWELIE	CAMSHAFT,ASSY	1			1.555	
040	07715-00401	KUGEL	BALL 1/4	1			0.001	
050	16241-16510	ZAHNRAD	GEAR,CAM	1		<=1KHZ999	0.450	
050	16241-16515	ZAHNRAD	GEAR,CAM	1	>>	>=1KJ0001	0.450	
060	05712-00518	KEIL	FEATHER KEY	1			0.003	
070	16241-16270	NOCKENWELLE SPERRPLATTE	STOPPER,CAMSHAFT	1		<=1EKZ999	0.040	
070	1J097-16270	NOCKENWELLE SPERRPLATTE	STOPPER (CAMSHAFT)	1	>>	>=1EL0001	0.030	
080	01023-50616	BOLZEN	BOLT,SEMS	2			0.006	
090	16271-24012	ZAHNRAD	COMP GEAR,IDLE	1			0.600	
100	16271-24982	BUCHSE	BUSH,IDLE GEAR	1			0.020	
110	16241-24360	HUELSE	COLLAR,IDLE GEAR	1			0.010	
120	16241-24370	HUELSE	COLLAR,IDLE GEAR	1			0.012	
130	16241-24320	SEEGERING	CIR CLIP,IDLE GEAR	1			0.003	
140	16241-24250	WELLE	SHAFT,IDLE GEAR	1			0.255	
150	01023-50616	BOLZEN	BOLT,SEMS	3			0.006	



**Download the full PDF manual instantly.**

**Our customer service e-mail:**

**[aservicemanualpdf@yahoo.com](mailto:aservicemanualpdf@yahoo.com)**