

Fig. 011 CYLINDER BLOCK [2001 ~

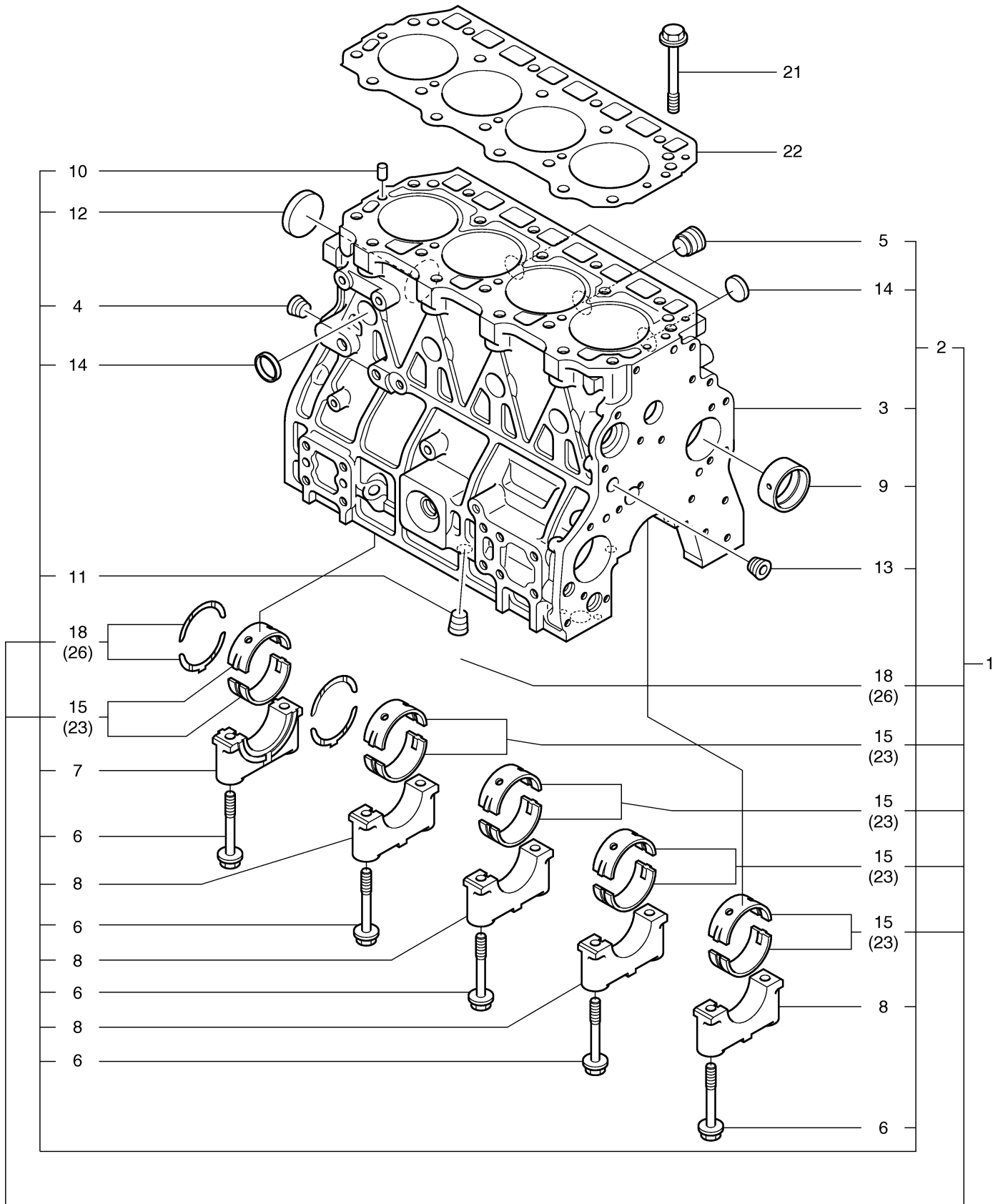


Fig. 011 CYLINDER BLOCK [20001 ~

Key No	Part No	Description	Qty	S.C	Serial No	ICA	Replacable	Qty
1	729900-01560	CYLINDER BLOCK ASS'Y	1					
4	23876-030000	PLUG PT3/8	1					
5	171051-01921	PLUG	1					
6	129900-02020	BOLT	10					
9	129900-02410	BUSH;CAMSHAFT	1					
10	22351-060012	PIN;SPRING	2					
11	23876-030000	PLUG PT3/8	1					
12	27231-550000	PLUG 55	1					
13	23876-030000	PLUG PT3/8	1					
14	27241-300000	PLUG 30	8					
15	129900-02800	MAIN BEARING ASS'Y	5					
18	129900-02930	WASHER;THRUST	2					
21	129900-01200	BOLT;HEAD	18					
22	129900-01331	GASKET;CYLINDER HEAD	1					
23	129900-02340	METAL:MAIN(0.25)	5	US				
26	129900-02940	METAL:THRUST(0.25)	2	OS				

Fig. 012 GEAR HOUSING [20001 ~

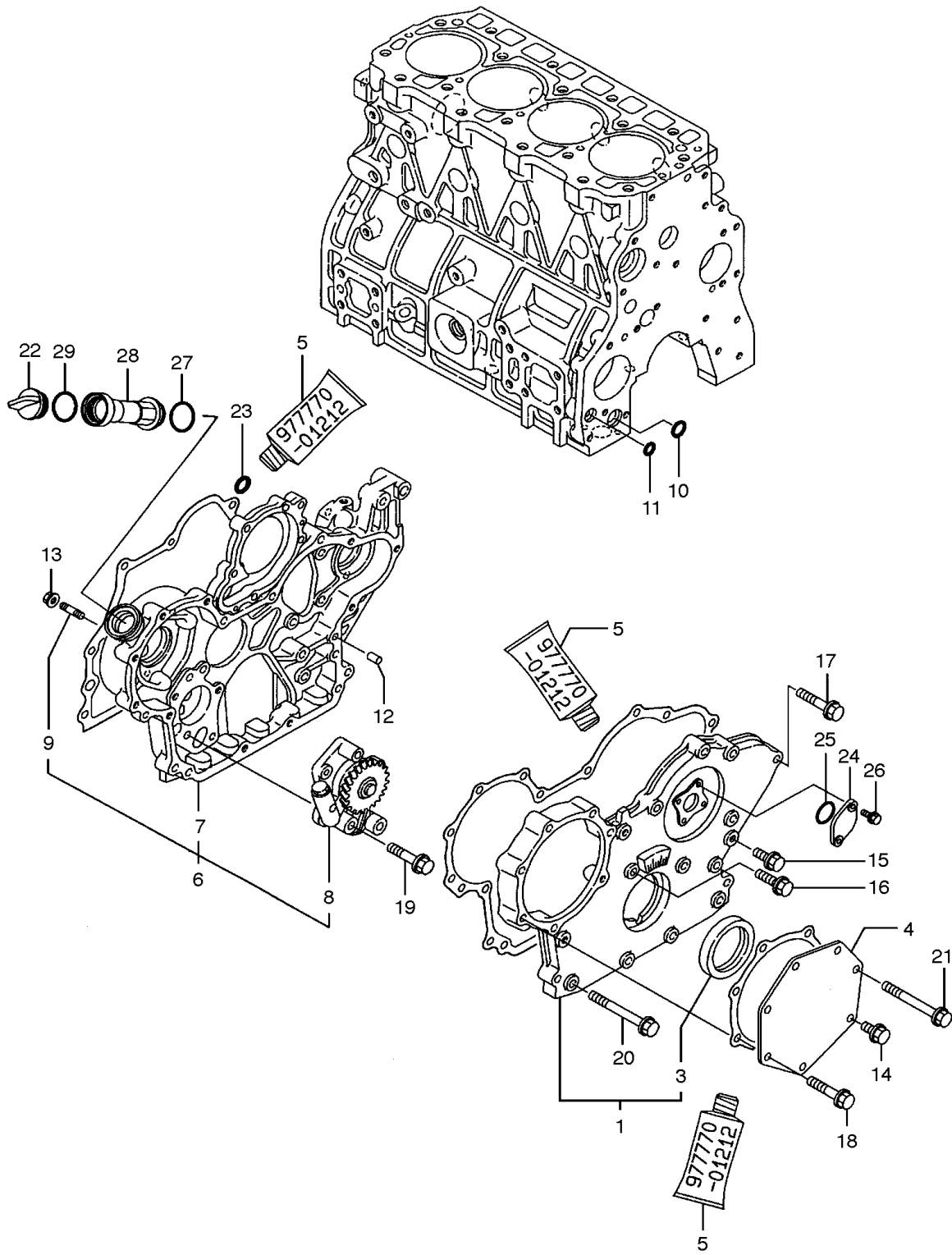


Fig. 012 GEAR HOUSING [20001 ~

Key No	Part No	Description	Qty	S.C	Serial No	ICA	Replacable	Qty
1	729900-01570	GEAR HOUSING	1					
3	129916-01800	SEAL:OIL	1					
4	129951-01740	COVER	1					
5	977770-01212	GASKET:LIQUID	1					
6	129900-01820	HOUSING ASS'Y	1					
7	129900-01400	CASE:GEAR	1					
8	129900-32000	OIL PUMP ASS'Y	1					
9	26216-100302	BOLT:STUD	4					
10	129900-32030	O-RING	1					
11	129900-32040	O-RING	1					
12	22312-080160	PIN:PARALLEL	4					
13	26306-100002	NUT	4					
14	26106-080162	BOLT M8X16	1					
15	26106-080202	BOLT M8X20	3					
16	26106-080302	BOLT M8X30	1					
17	26106-080402	BOLT M8X40	5					
18	26106-080402	BOLT M8X40	5					
19	26106-080452	BOLT M8X45	3					
20	129001-91810	BOLT M8X70	6					
21	129001-91810	BOLT M8X70	1					
22	124160-01751	COVER:FILLER	1					
23	24311-000070	O-RING	1					
24	121023-01550	COVER:BLIND	1					
25	24341-000240	O-RING	1					
26	26106-060162	BOLT M6X16	2					
27	24311-000320	O-RING	1					
28	121027-11743	PIPE	1					
29	24311-000320	O-RING	1					

Fig. 013 FLYWHEEL HOUSING & OIL PAN

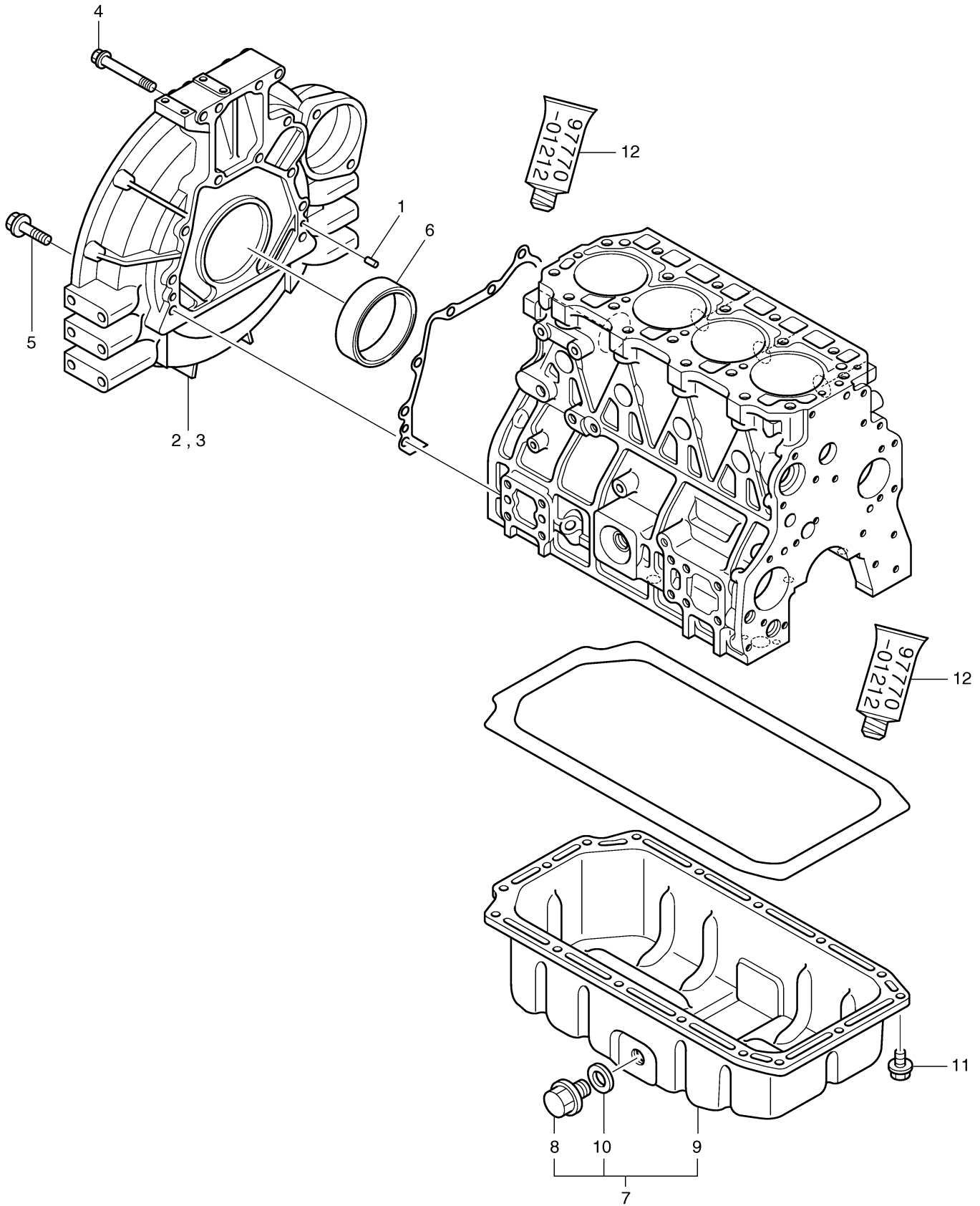


Fig. 013 FLYWHEEL HOUSING & OIL PAN

Key No	Part No	Description	Qty	S.C	Serial No	ICA	Replacable	Qty
1	129100-01580	PIN;PARALLEL	2					
2	129981-01600	FLYWHEEL COVER ASS'Y	1					
3	26206-100702	BOLT M10X70	4					
4	26206-100352	BOLT M10X35	9					
5	129916-01790	SEAL;OIL	1					
6	977770-01212	GASKET;LIQUID	1					
7	129953-01710	OIL PAN ASS'Y	1					
8	119640-01640	PLUG;DRAIN	1					
11	22190-220002	SEAL;WASHER	1					
12	26106-080122	BOLT M8X12	16					

Fig. 014 CYLINDER HEAD & BONNET

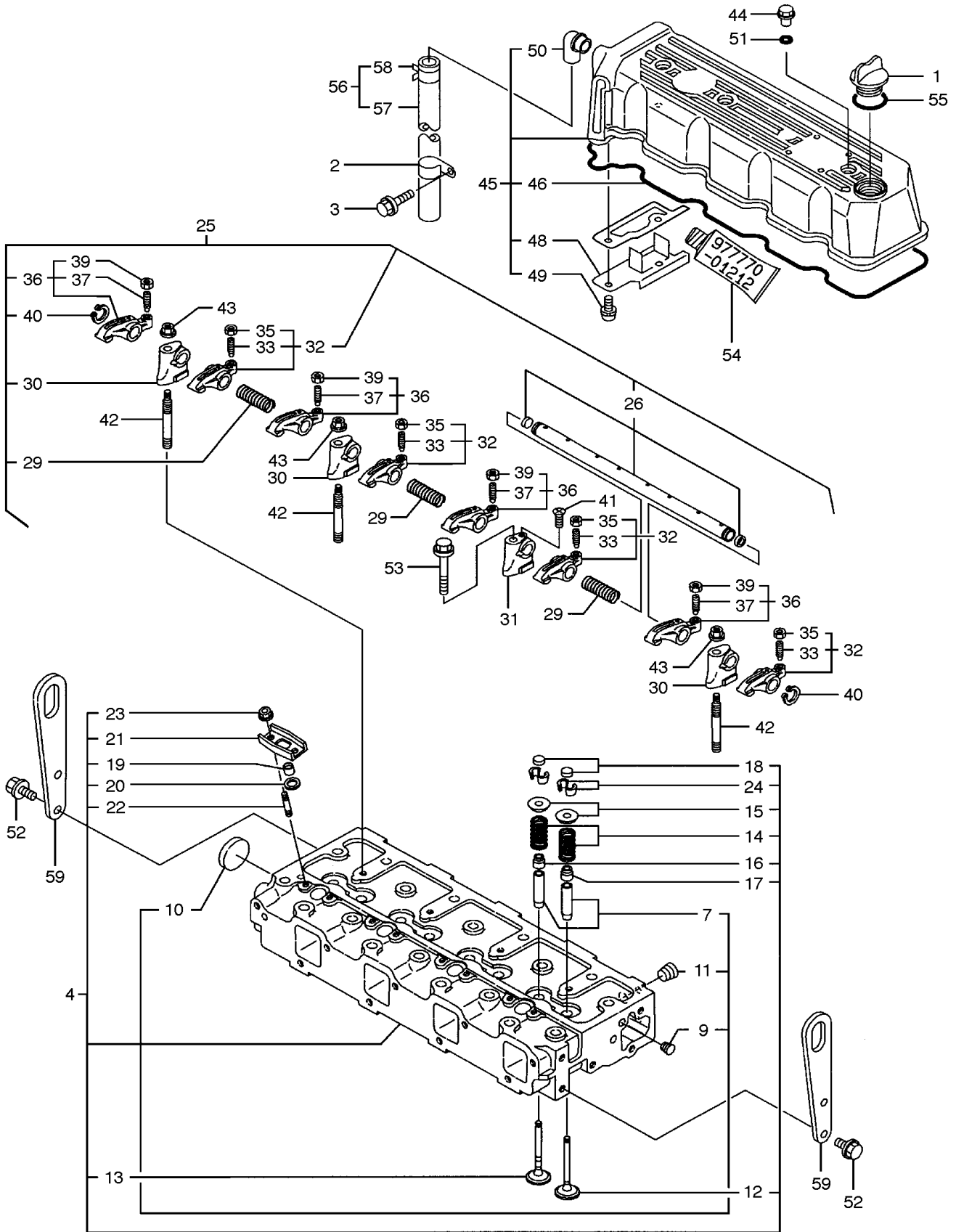


Fig. 014 CYLINDER HEAD & BONNET

Key No	Part No	Description	Qty	S.C	Serial No	ICA	Replacable	Qty
1	124160-01751	COVER:FILLER	1					
2	129910-03100	RETAINER	1					
3	26106-080122	BOLT M8X12	1					
4	729900-11100	CYLINDER HEAD ASS'Y	1					
7	129150-11810	GUIDE:VALVE	8					
9	23871-005000	PLUG	1					
10	27241-400000	PLUG	1					
11	23876-030000	PLUG PT3/8	1					
12	129900-11100	VALVE:INLET	4					
13	129900-11110	VALVE:EXHAUST	4					
14	129900-11120	SPRING:VALVE	8					
15	129795-11180	RETAINER:SPRING	8					
16	121400-11340	SEAL:VALVE STEM	4					
17	124460-11340	SEAL:VALVE STEM	4					
18	129150-11370	CAP:VALVE	8					
19	119625-11870	PROTECTOR:NOZZLE	4					
20	119625-11880	SEAT:NOZZLE	4					
21	119625-11900	RETAINER	4					
22	26216-060202	STUD M6X20	8					
23	26366-060002	NUT M6	8					
24	27310-080000	COTTER	16					
25	129900-11200	ROCKER ARM ASS'Y	1					
26	129900-11240	SHAFT:ROCKER ARM	1					
29	129900-11280	SPRING	3					
30	129900-11510	SUPPORT	3					
31	129900-11520	SUPPORT	1					
32	129900-11650	KIT:ROCKER ARM SUCTION	4					
33	129150-11230	SCREW:VALVE	4					
35	129150-11750	NUT	4					
36	129900-11660	KIT:ROCKER ARM EXHAUST	4					
37	129150-11230	SCREW:VALVE	4					
39	129150-11750	NUT	4					
40	22242-000180	RING:SNAP	2					
41	26577-040162	SCREW M4X16	1					
42	129900-11530	BOLT:STUD	3					
43	26306-100002	NUT	3					

Key No	Part No	Description	Qty	S.C	Serial No	ICA	Replacable	Qty
44	124160-11360	KNOB	3					
45	129902-11350	BONNET ASS'Y	1					
46	129900-11310	GASKET;BONNET	1					
48	129900-11600	PLATE	1					
49	22857-500100	SCREW	2					
50	119100-11330	JOINT;BREATHER	1					
51	24311-000120	O-RING	3					
52	26106-080162	BOLT M8X16	4					
53	26106-100652	BOLT M10X65	1					
54	977770-01212	GASKET;LIQUID	1					
55	24311-000320	O-RING	1					
56	129916-03110	HOSE ASS'Y;BREATHER	1					
57	23065-160800	HOSE;BREATHER	1					
58	129960-03990	CLIP;HOSE	1					
59	129900-07900	LIFTER;ENGINE	2					

Fig. 015 INTAKE MANIFOLD [20001 ~

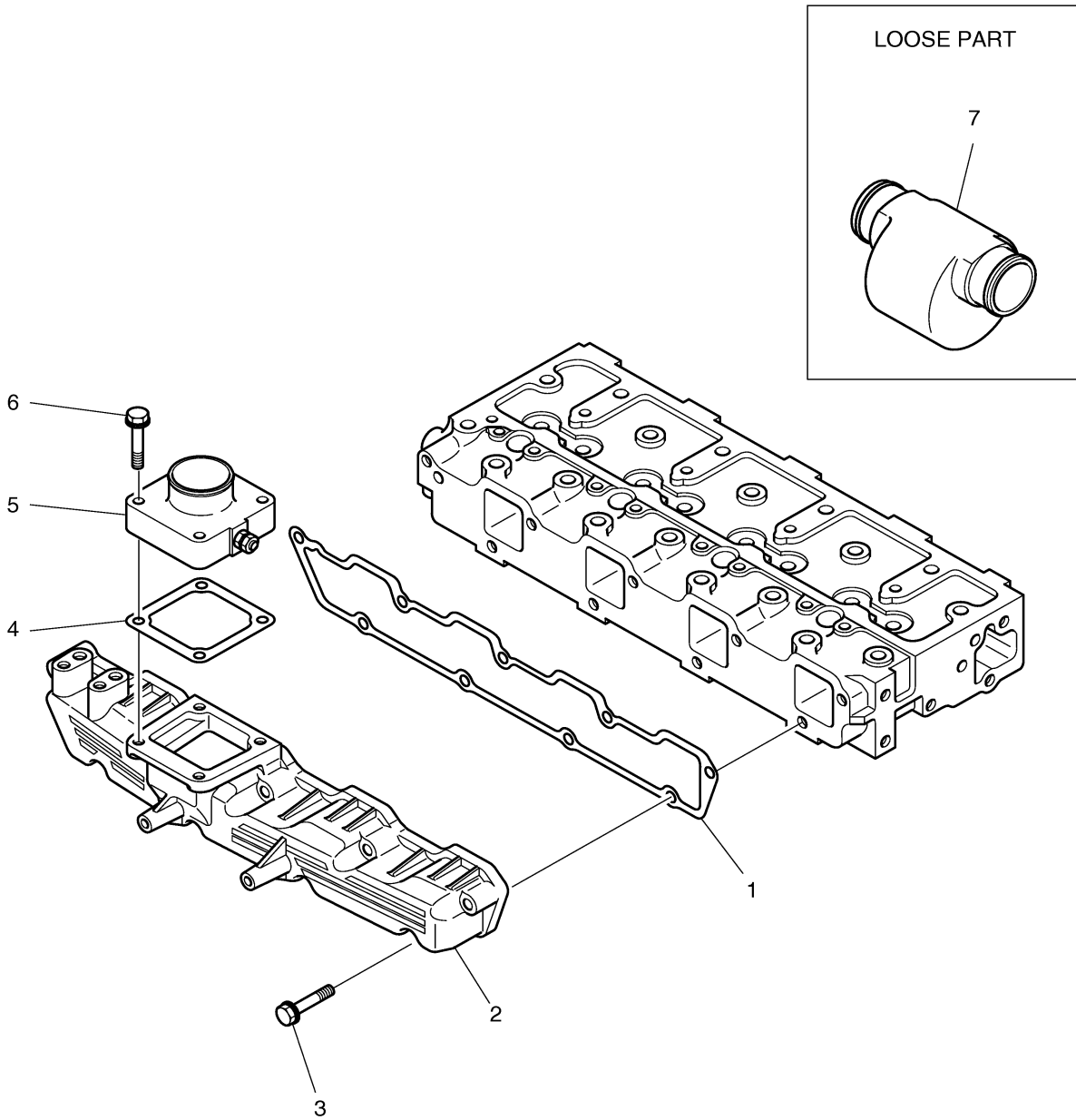


Fig. 015 INTAKE MANIFOLD [20001 ~

Key No	Part No	Description	Qty	S.C	Serial No	ICA	Replacable	Qty
1	129900-12050	GASKET;INLET MANIFOLD	1					
2	129900-12100	MANIFOLD;INTAKE	1					
3	26106-080452	BOLT M8X45	9					
4	121850-77021	GASKET	1					
5	129915-77050	HEATER;AIR	1					
6	26106-080352	BOLT M8X35	4					
7	119005-12060	SILENCER;INTAKE	1					

Fig. 016 EXHAUST MANIFOLD [20001 ~

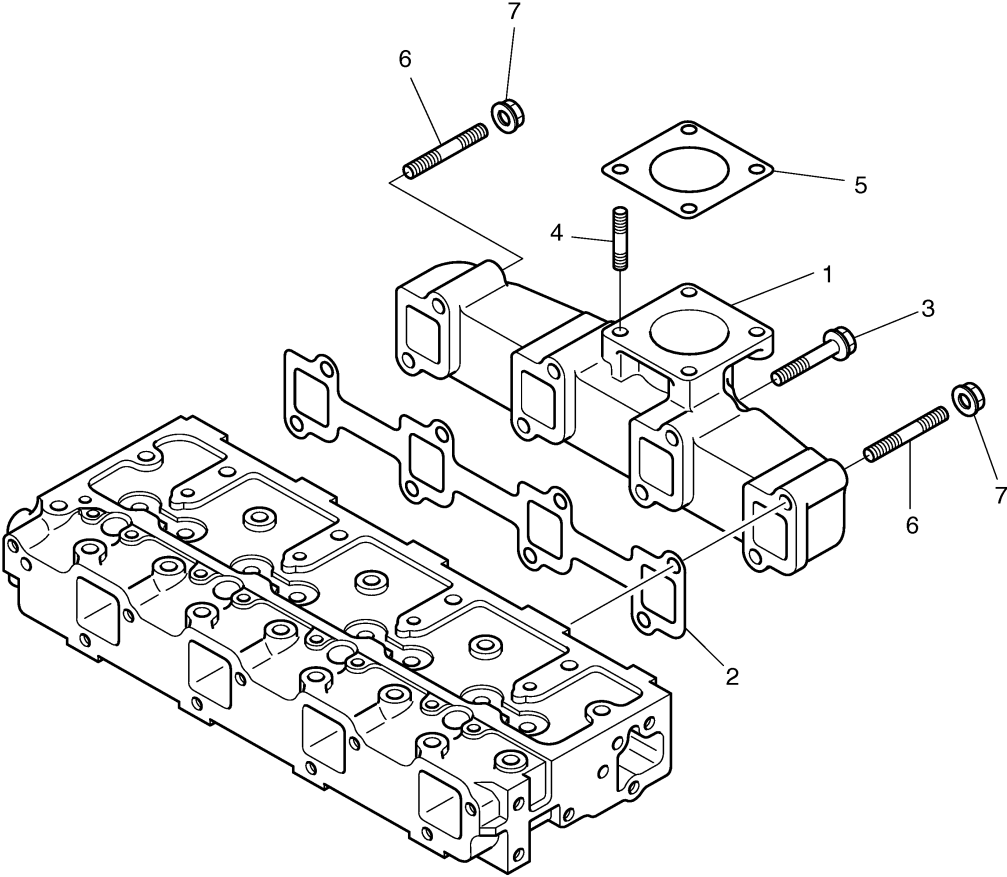
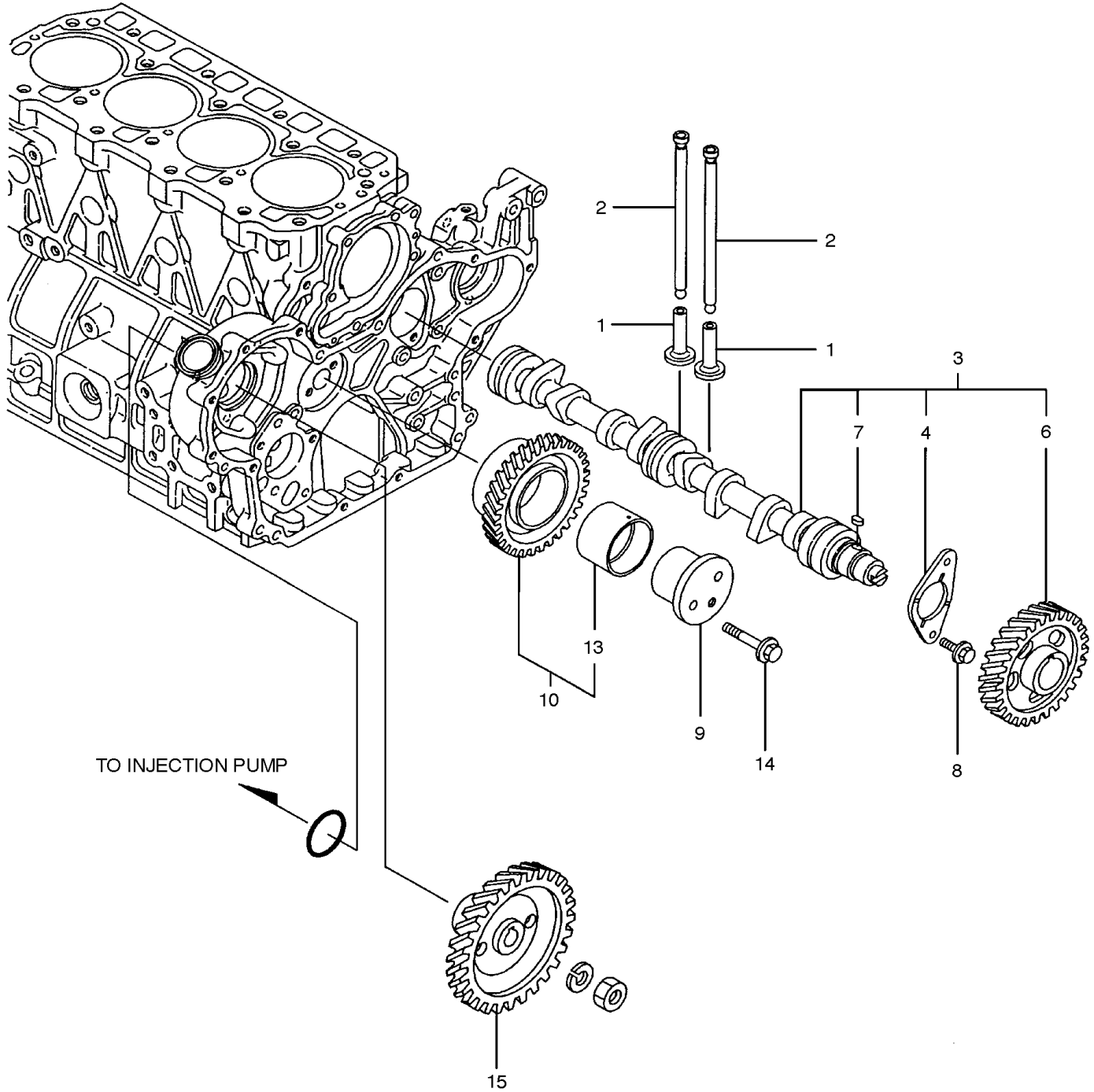


Fig. 016 EXHAUST MANIFOLD [20001 ~

Key No	Part No	Description	Qty	S.C	Serial No	ICA	Replacable	Qty
1	129900-13200	MANIFOLD;EXHAUST	1					
2	129900-13251	GASKET	1					
3	123900-13630	BOLT M8X80	6					
4	119131-18320	BOLT M8X22	4					
5	129400-13201	GASKET	2					
6	123900-13610	BOLT;STUD M8X80	2					
7	26306-080002	NUT	2					

Fig. 017 CAM SHAFT & DRIVING GEAR





Download the full PDF manual instantly.

Our customer service e-mail:

aservicemanualpdf@yahoo.com