

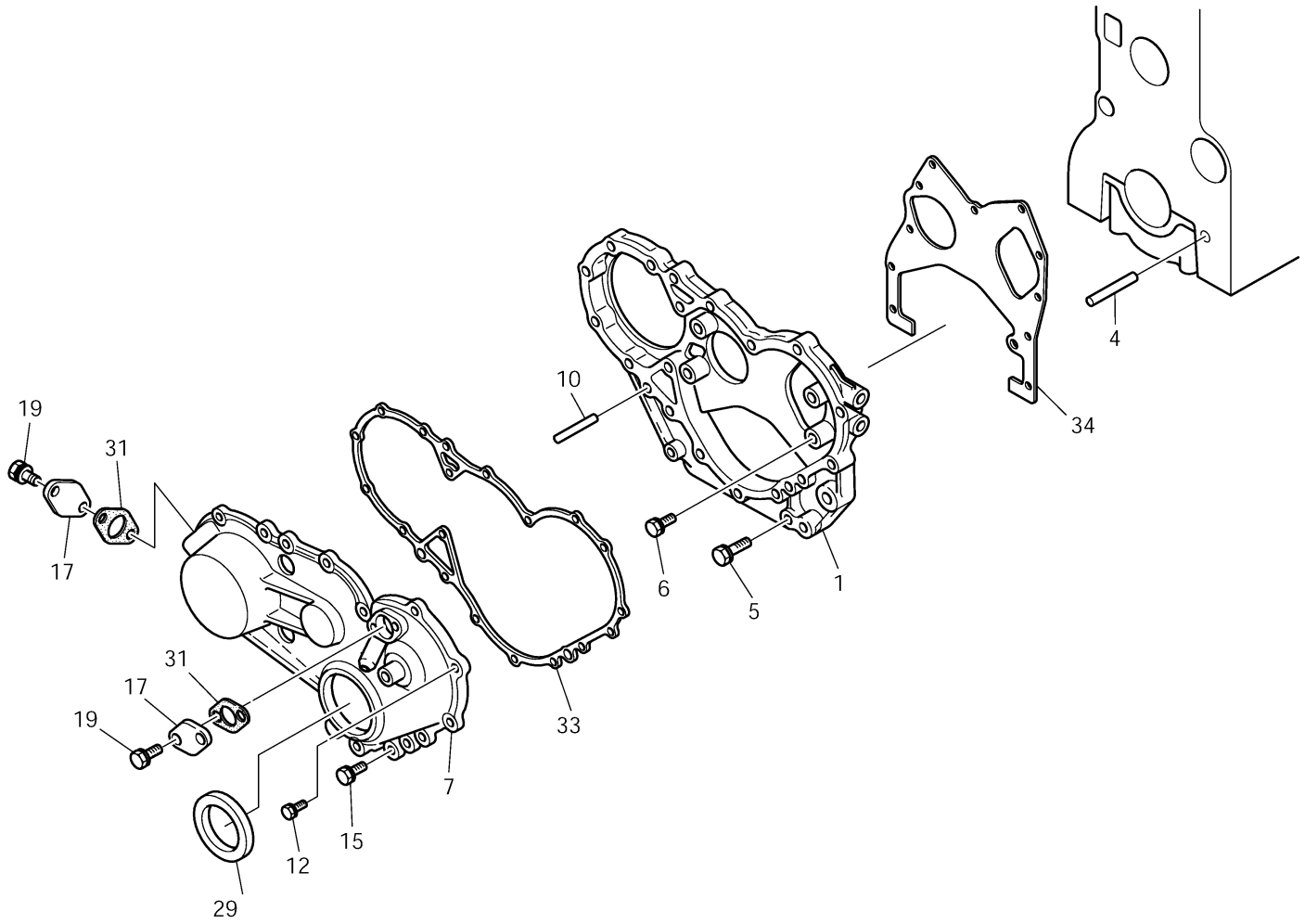


## Fig. 001 CYLINDER BLOCK

Key No	Part No	Description	Qty	S.C	Serial No	ICA	Replacable	Qty
1	65.01101-6079	CYLINDER BLOCK ASS'Y	1					
2	65.01101-0030F	BLOCK;CYLINDER	1	D				
3	65.01105-1048	CAP;BEARING(F.M.R)	6	D				
5	65.01105-1047	CAP;BEARING(NO.4)	1	D				
7	65.91710-0001	RING;STOPPER	2					
8	65.90020-0066A	BOLT;BRG CAP	14					
9	65.04410-0007B	BUSH;CAM SHAFT	1	B				
10	65.04410-0006B	BUSH;CAM SHAFT	5	B				
11	65.90302-0009	PLUG;CORE	2					
12	06.15091-0319	PLUG;CORE	2		~030510	Y	65.90302-0041	2
12	65.90302-0041	PLUG;CORE	2		030511~			
13	06.15091-0322	PLUG;CORE	3		~030510	Y	65.90302-0042	3
13	65.90302-0042	PLUG;CORE	3		030511~			
15	65.90310-0030	SCREW;PLUG M12X1.25	1					
16	06.56190-0704	RING;SEAL	1					
17	65.90320-0019	PLUG SCREW PT3/8	1					
18	06.15091-0313	PLUG;CORE	2					
19	65.90320-0022	PLUG SCREW PT1/8	10					
20	65.90201-0058	BOLT;STUD M14X12.5X45	1					
21	65.91605-0001E	COVER	1					
22	06.01913-3113	BOLT ASS'Y M8X20	2					
23	65.01112-0021A	COVER;PUSH ROD CHAMBER	2					
24	65.01112-5018	COVER;PUSH ROD CHAMBER	1					
25	65.90020-0049	BOLT;HEX.	6					
26	65.96507-0007	PACKING;PUSH ROD CHAMBER	6					
27	65.01110-6090B	METAL;CRANK STD	7					
27	65.01110-6091B	METAL;CRANK 0.25	7	US				
27	65.01110-6092B	METAL;CRANK 0.50	7	US				
28	65.01150-6010A	WASHER;THRUST STD	2					
28	65.01150-6034A	WASHER;THRUST 0.25	2	OS				
28	65.01150-6035A	WASHER;THRUST 0.50	2	OS				
29	65.91615-0011	COVER;BLIND	1					
30	06.01913-3113	BOLT ASS'Y M8X20	2					
31	65.01201-0067	LINER;CYLINDER (ALTV.)	6	D				
31	65.01201-0068	LINER;CYLINDER(1A)	6					
31	65.01201-0069	LINER;CYLINDER(1B)	6					

Key No	Part No	Description	Qty	S.C	Serial No	ICA	Replacable	Qty
31	65.01201-0070	LINER:CYLINDER(2A)	6					
31	65.01201-0071	LINER:CYLINDER(2B)	6					
36	65.01901-0020	GASKET:PUSH ROD CHAMBER	3					
37	06.56021-0106	O-RING;O/P DRIVE FLANGE	1					
38	65.90310-0135	PLUG:SCREW	1					
39	06.56190-0706	SEAL RING A14X20	1					
40	65.05903A0013	GASKET:FLANGE	1					
41	65.98130-0040A	ADAPTER	1					
42	65.06310-6003A	PLUG:DRAIN	1					
44	04.50010-0811	HOSE:VINYL	1					
45	06.56190-0713	RING;SEAL A18X24	2					
46	65.01601-5010A	OIL JET PIPE	6					
47	65.05401-5023	RELIEF VALVE ASS'Y	6					
48	06.56021-0102	O-RING	1					
52	65.05401-5002F	RELIEF VALVE ASS'Y	1					
53	65.27441-7006	SWITCH;OIL PRESS.	1					
54	65.90201-0182	BOLT:STUD	1					
55	65.97401-0050	CLIP;PIPE	1					

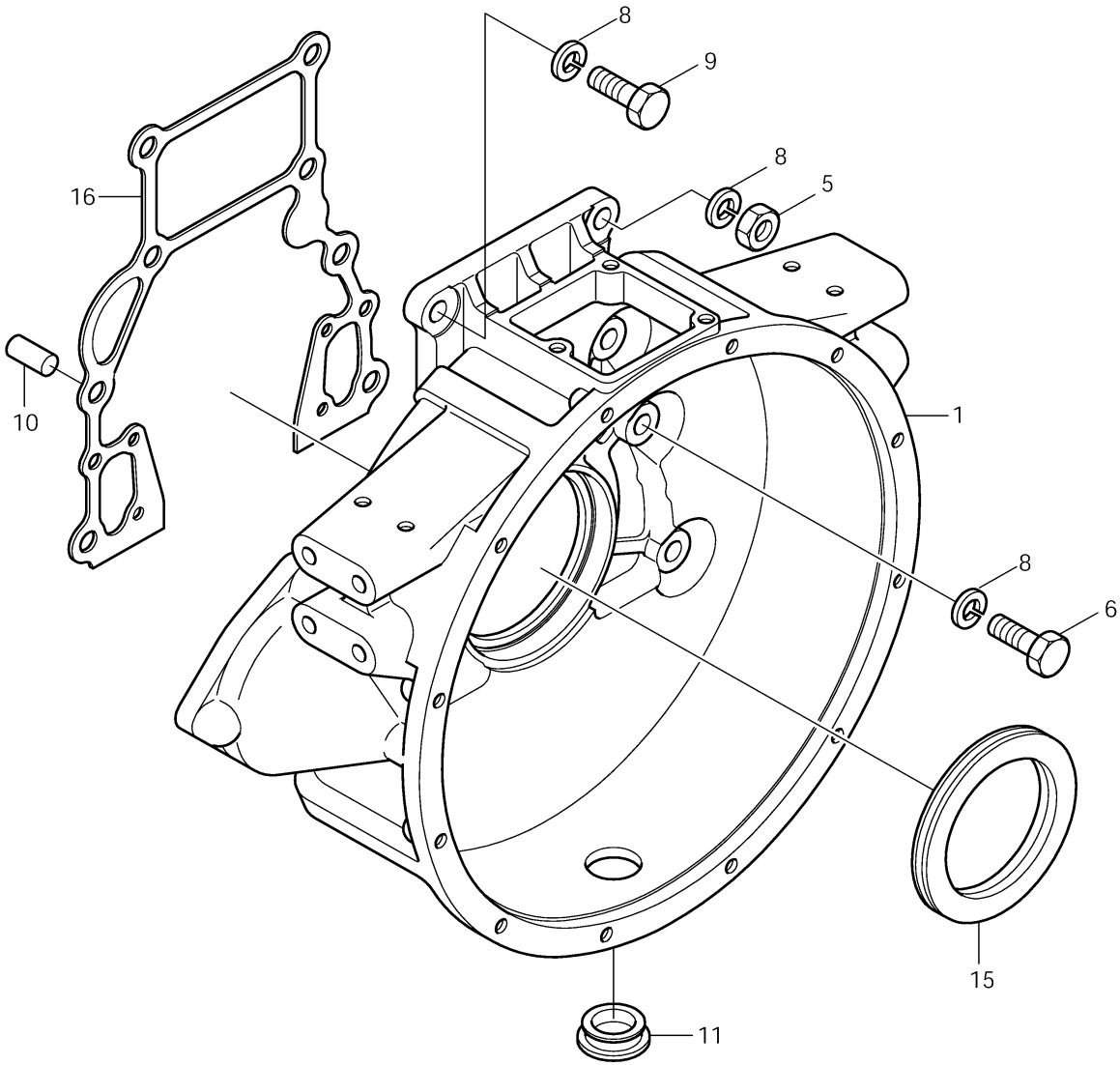
Fig. 002 TIMING GEAR CASE



## Fig. 002 TIMING GEAR CASE

Key No	Part No	Description	Qty	S.C	Serial No	ICA	Replacable	Qty
1	65.01304-0003C	CASE:TIMING GEAR	1					
4	06.22022-3119	PIN	1					
5	06.01913-3120	BOLT ASS'Y M8X45	2					
6	06.01913-3113	BOLT ASS'Y M8X20	4					
7	65.01305-5074	COVER:TIMING GEAR CASE	1					
10	06.22022-3111	PIN	1					
12	06.01913-3115	BOLT ASS'Y M8X25	7					
15	06.01913-3122	BOLT ASS'Y M8X55	5					
17	65.01307-0002B	COVER:TIMING CHECK HOLE	2					
19	06.01913-2911	BOLT ASS'Y M6X16	4					
29	65.01510-0001	SEAL:OIL(FRONT)	1					
31	65.01903-0002C	GASKET	2					
33	65.01903B0003	GASKET:TIMING GEAR CASE	1					
34	65.01903B0004	GASKET:TIMING GEAR	1					

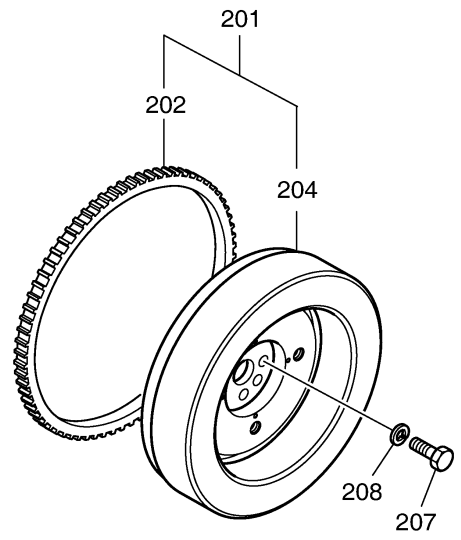
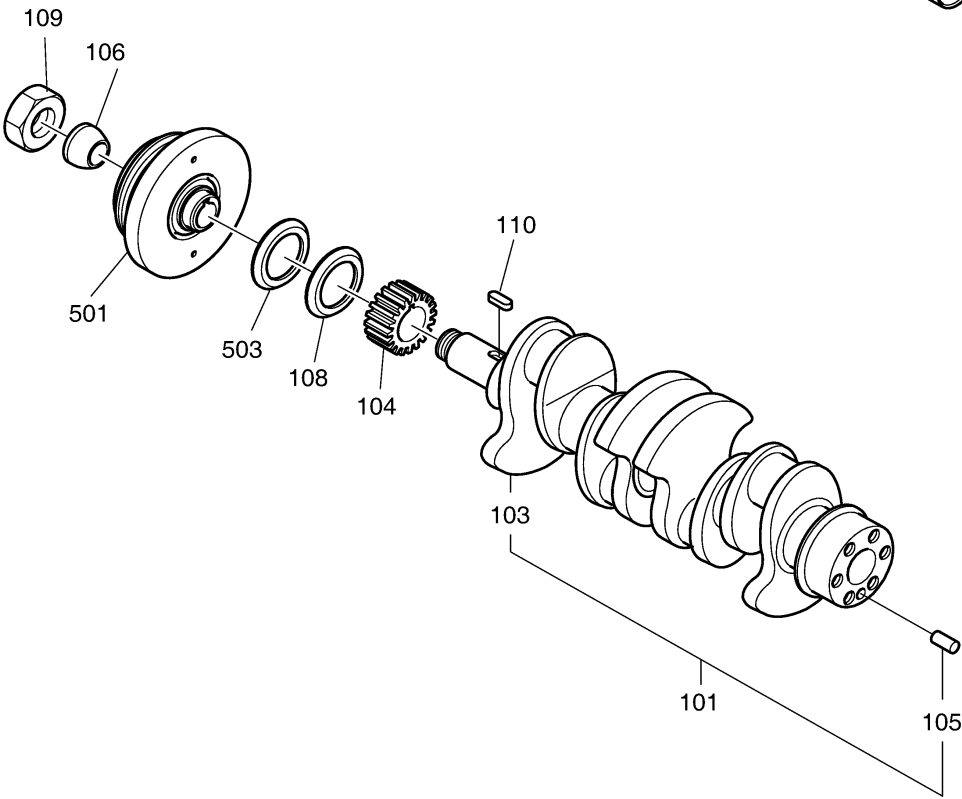
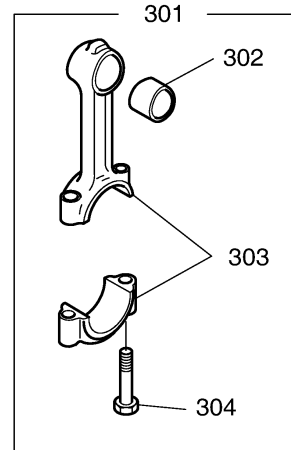
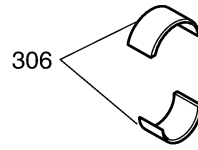
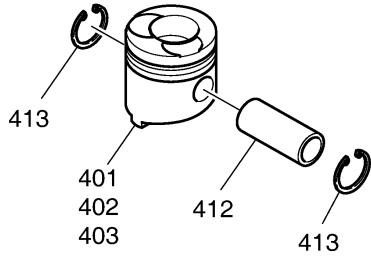
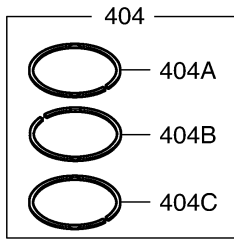
Fig. 003 FLYWHEEL HOUSING



## Fig. 003 FLYWHEEL HOUSING

Key No	Part No	Description	Qty	S.C	Serial No	ICA	Replacable	Qty
1	65.01401-0119	HOUSING;FLYWHEEL	1					
5	06.01494-4407	BOLT;HEX. M14X1.5X40	1					
6	06.01494-4409	BOLT;HEX. M14X1.5X50	6					
8	06.16731-2110	WASHER;SPRING	8					
9	06.11063-9217	NUT	1					
10	06.22022-3111	PIN	2					
11	65.96401-0007	CAP;RUBBER	1					
15	65.01510-0101	SEAL;OIL(REAR)	1					
16	65.01904-0021	GASKET;FLYWHEEL HOUSING	1					

Fig. 004 CRANK SHAFT

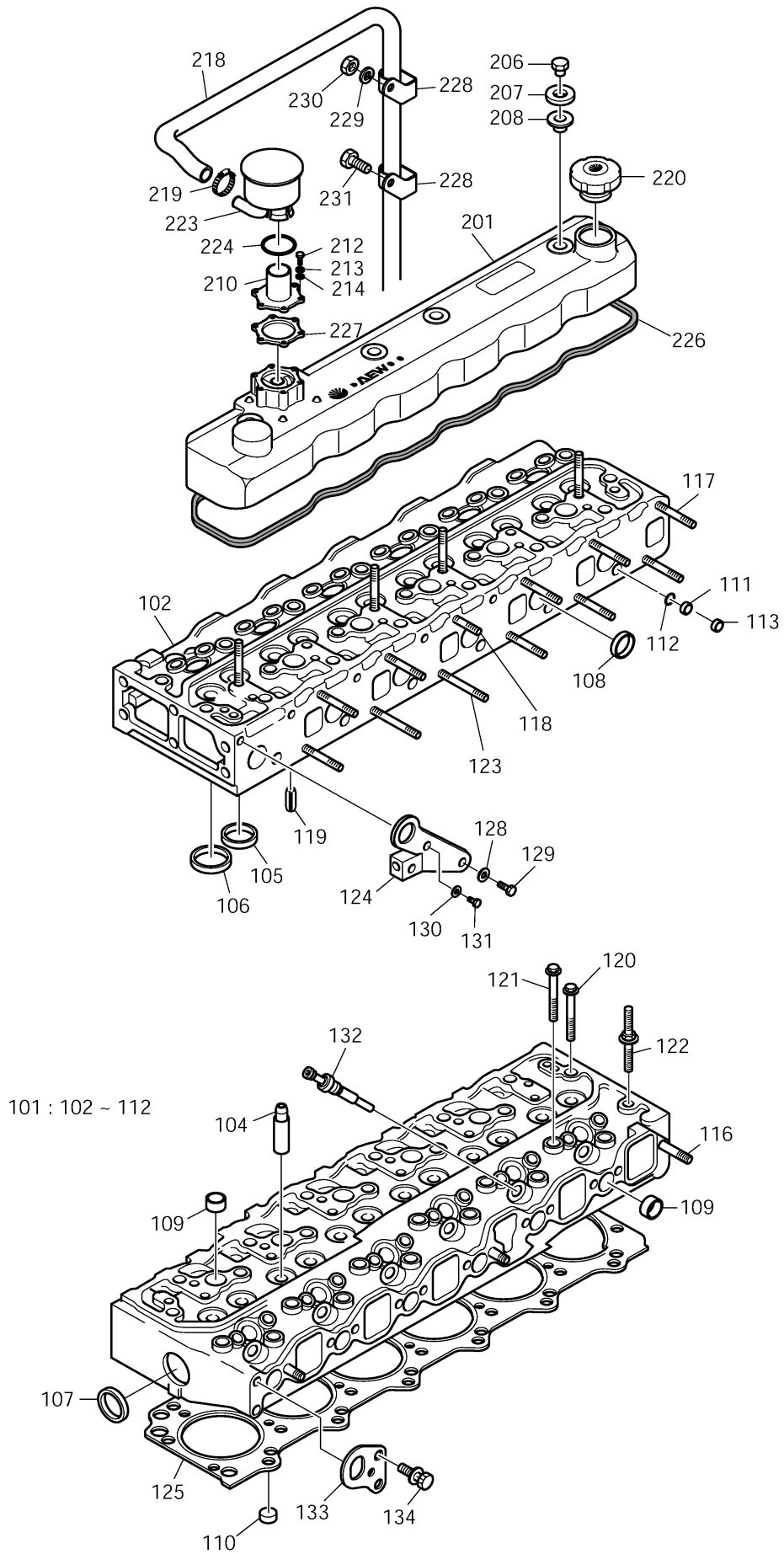




## Fig. 004 CRANK SHAFT

Key No	Part No	Description	Qty	S.C	Serial No	ICA	Replacable	Qty
101	65.02101-6018A	CRANK SHAFT ASS'Y	1					
103	65.02101-0045A	SHAFT;CRANK	1					
105	06.22022-3212	PIN;PARALLEL	1					
104	65.02115-0009	GEAR;CRANK SHAFT	1					
106	65.93020-0015	BUSH;TAPER	1					
108	65.02120-0002	RING;OIL THROWER	1					
109	65.90501-0006	NUT	1					
110	65.91501-0006	KEY;SLIDING	1					
201	65.02301-5099A	FLYWHEEL ASS'Y	1					
202	65.02310-0006	GEAR;RING	1					
204	65.02301-0245A	FLY WHEEL	1					
207	06.01494-4506	BOLT M16X1.5X35	6					
208	06.16731-2111	WASHER;SPRING	6					
301	65.02401-6021	CONNECTING ROD ASS'Y	6					
302	65.02405-0006	BUSH	1	B				
303	65.02401-0163D	ROD;CONNECTING	1	D				
304	65.02411-0006A	BOLT	2					
306	65.02410-6083B	METAL;CON-ROD STD	6					
306	65.02410-6124B	METAL;CON-ROD 0.125mm	6	US				
306	65.02410-6125B	METAL;CON-ROD 0.25mm	6	US				
306	65.02410-6126B	METAL;CON-ROD 0.5mm	6	US				
401	65.02501-0416	PISTON(ALTV.)	6	D				
402	65.02501-0417	PISTON-1;A GRADE	6					
403	65.02501-0418	PISTON-1;B GRADE	6					
404	65.02503-8058	PISTON RING KIT	1					
404A	-	RING;TOP	6	K				
404B	-	RING,SECOND	6	K				
404C	-	RING;OIL	6	K				
412	65.02502-0082A	PIN;PISTON	6					
413	65.90815-0007	RING;RETAINING	12					
501	65.02601-5019	PULLEY;DAMPER	1					
503	65.02122-0001	COVER;DUST	1					

Fig. 005 CYLINDER HEAD





**Download the full PDF manual instantly.**

**Our customer service e-mail:**

**[aservicemanualpdf@yahoo.com](mailto:aservicemanualpdf@yahoo.com)**