

DX 27z

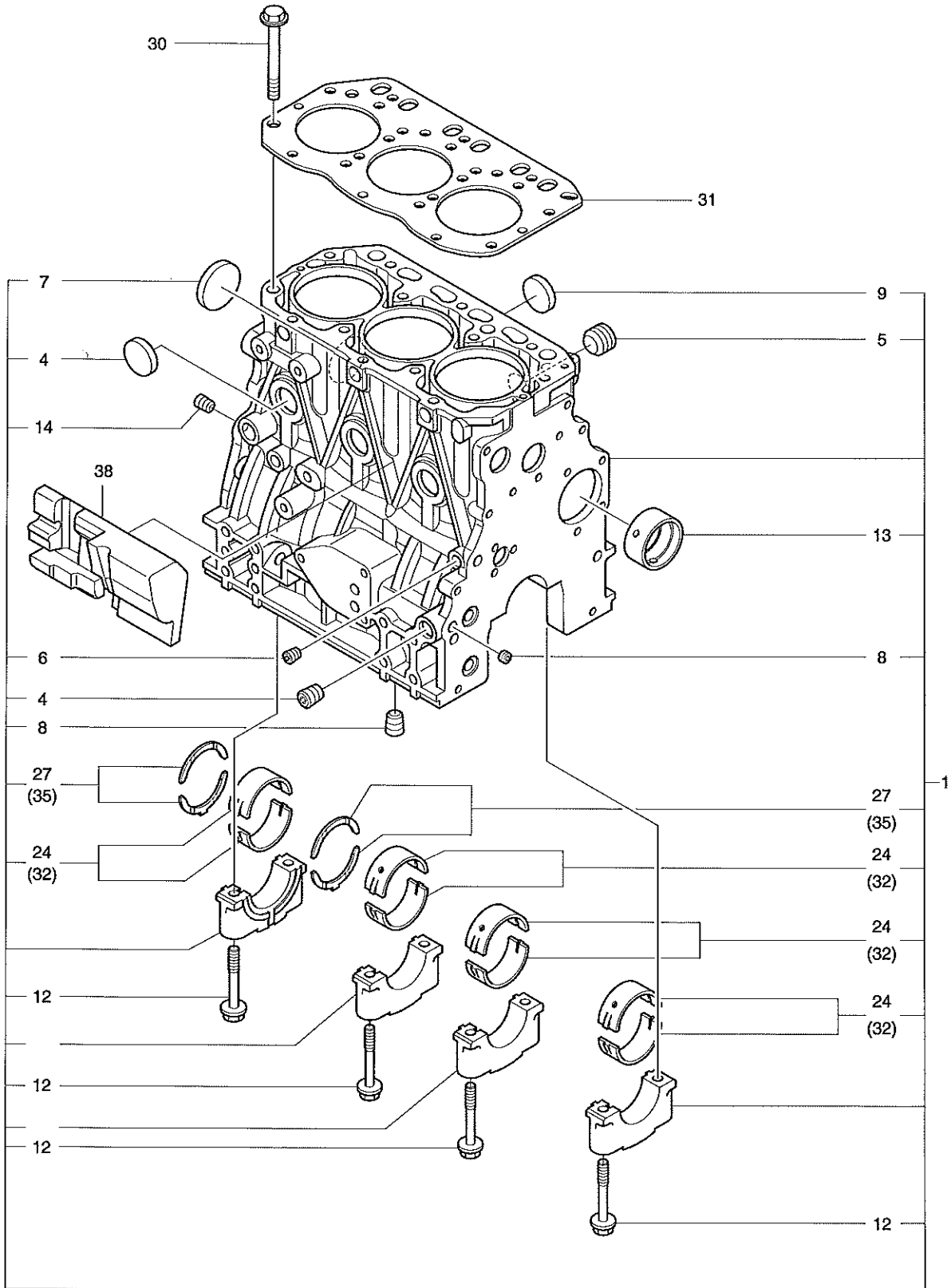
**PARTS LIST
LISTE DE PIECES
DETACHEES**

**N° DE REFERENCE : K1028287AEF
HEAC - 2801**

DATE	FEB. 01, 2007
1st EDITION	

**Fig. 001 CYLINDER BLOCK
BLOC CYLINDER**

Serial No. ;



DATE	FEB. 01, 2007
1st EDITION	

Fig. 001 CYLINDER BLOCK BLOC CYLINDER

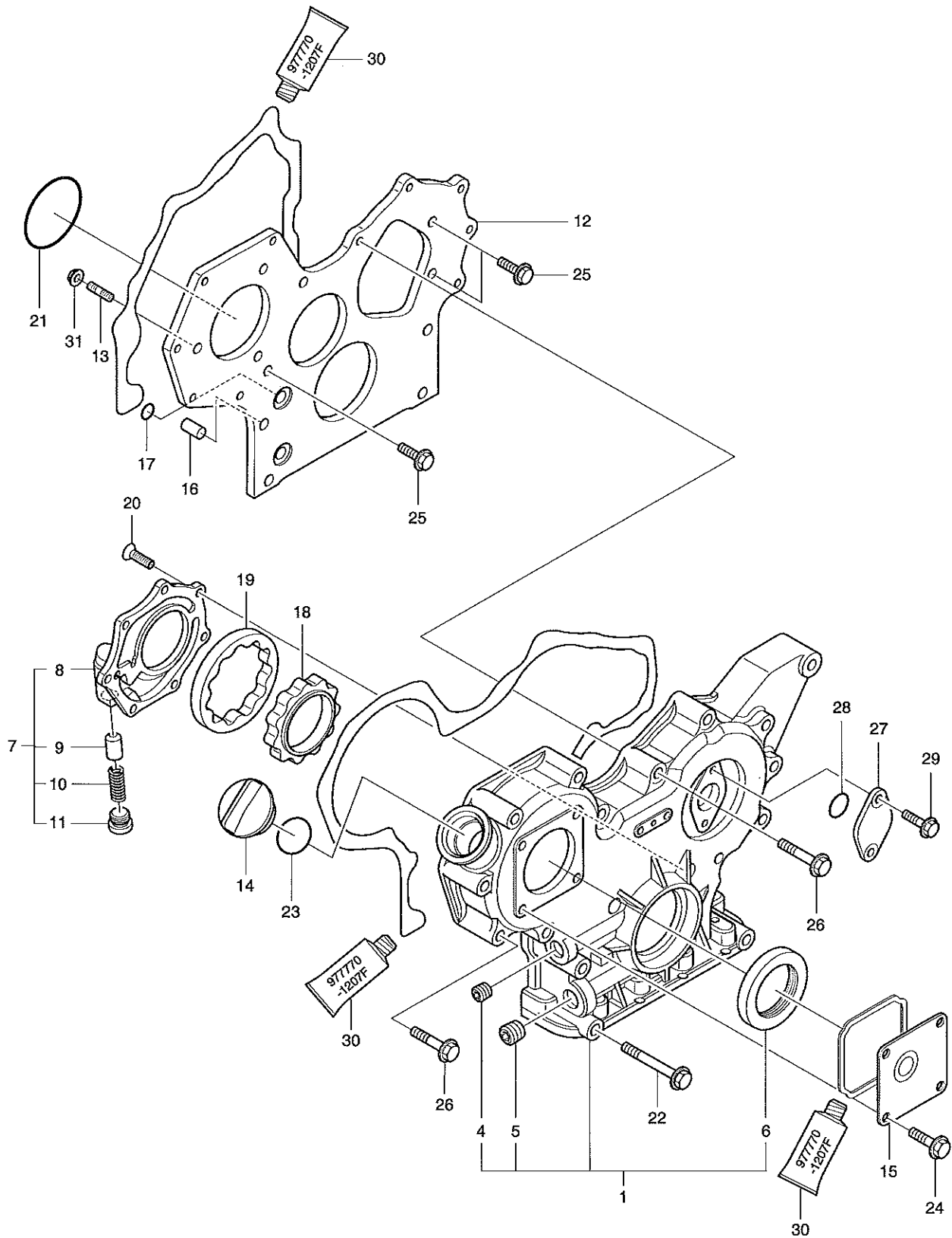
Serial No. ;

Key No.	Part No.	Description	Description	Q'ty	S.C	Serial No.	ICA	Replaceable part	
								Part No.	Q'ty
001-1	K9005223	CYLINDER BLOCK ASS'Y	ENSEMBLE DE BLOC	1					
4	K9004678	. PLUG PT1/4	. BOUCHON	2					
5	2.181-00306	. PLUG	. BOUCHON	1					
6	2.181-00163	. PLUG PT1/8	. BOUCHON	1					
7	K9004685	. PLUG	. BOUCHON	1					
8	K9004860	. PLUG	. BOUCHON	2					
9	2.181-00314	. PLUG	. BOUCHON	6					
12	K9005148	. BOLT	. BOULON	8					
13	K9004797	. BUSH;CAMSHAFT	. DOUILLE	1					
14	K9004678	. PLUG PT1/4	. BOUCHON	1					
24	K9005226	. MAIN METAL SET	. ENSEMBLE PRINCIPAL EN	4					
27	K9005186	. WASHER;THRUST	. RONDELLE DE BUTEE	1					
30	K9005182	BOLT;CYLINDER HEAD	BOULON	14					
31	K9005201	GASKET;HEAD	JOINT	1					
32	K9005185	MAIN METAL 0.25	ROULEMENT PRINCIPAL	4	US				
35	K9005187	WASHER;THRUST 0.25	ROULEMENT	2	OS				
38	K9005149	SPACER	DOUILLE D'ECARTEMENT	1					

DATE	FEB. 01, 2007
1st EDITION	

Fig. 002 GEAR HOUSING LOGEMENT DE VITESSE

Serial No. ;



DATE	FEB. 01, 2007
1st EDITION	

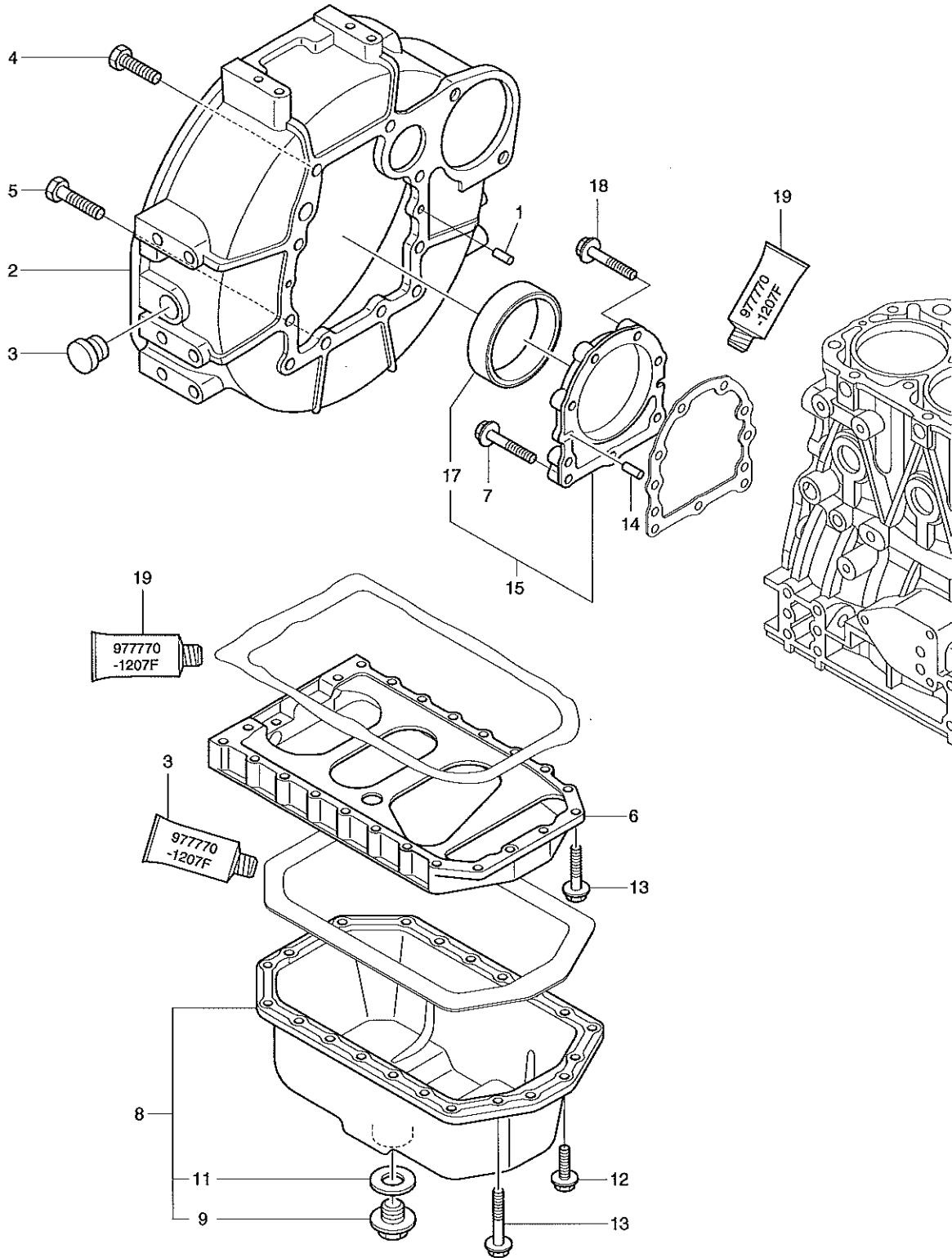
Fig. 002 GEAR HOUSING LOGEMENT DE VITESSE

Serial No. ;

Key No.	Part No.	Description	Description	Q'ty	S.C	Serial No.	ICA	Replaceable part	
								Part No.	Q'ty
002-1	K9004864	GEAR HOUSING ASS'Y	CARTER DE PINGNON	1					
4	2181-1116D3	. PLUG;SCREW PT3/8	. BOUCHON	1					
5	K9004849	. PLUG PT1/2	. BOUCHON	1					
6	K9004667	. SEAL;OIL	. JOINT	1					
7	K9004646	PUMP COVER ASS'Y	COUVERCLE DE POMPE	1					
8	K9004645	. COVER;LUB.OIL PUMP	. COUVERCLE	1					
9	K9004801	. VALVE;RELIEF	. VANNE	1					
10	K9004777	. SPRING	. RESSORT	1					
11	K9004689	. PLUG	. BOUCHON	1					
12	K9004631	FLANGE;GEAR CASE	BRIDE	1					
13	K9004632	STUD	BOULON	3					
14	D460483	CAP;FILLER	CHAPEAU	1					
15	2.304-00001	COVER	COUVERCLE	1					
16	K9004796	PIPE	TUYAU	2					
17	K9004606	O-RING	JOINT TORIQUE	4					
18	K9004647	ROTOR;INNER	ROTOR INTERIEUR	1					
19	K9004648	ROTOR;OUTER	ROTOR EXTERNE	1					
20	K9004649	SCREW	VIS	7					
21	K9004676	O-RING	JOINT TORIQUE	1					
22	K9004690	BOLT M8X85	BOULON	3					
23	S8000320	O-RING	JOINT TORIQUE	1					
24	2.120-00136	BOLT M8X16	BOULON	4					
25	2.120-00136	BOLT M8X16	BOULON	3					
26	2.120-00148	BOLT M8X55	BOULON	12					
27	K9004671	COVER;BLIND	COUVERCLE	1					
28	2.180-00355	O-RING	JOINT TORIQUE	1					
29	2.120-00029	BOLT M6X16	BOULON	2					
30	K9004868	GASKET;LIQUID	JOINT	1					
31	2.121-00267	NUT	ECROU	3					

DATE	FEB. 01, 2007
1st EDITION	

Fig. 003 FLYWHEEL HOUSING & OIL PAN
LOGEMENT DE VOLANT ET BAC A HUILE
 Serial No. ;



DATE	FEB. 01, 2007
1st EDITION	

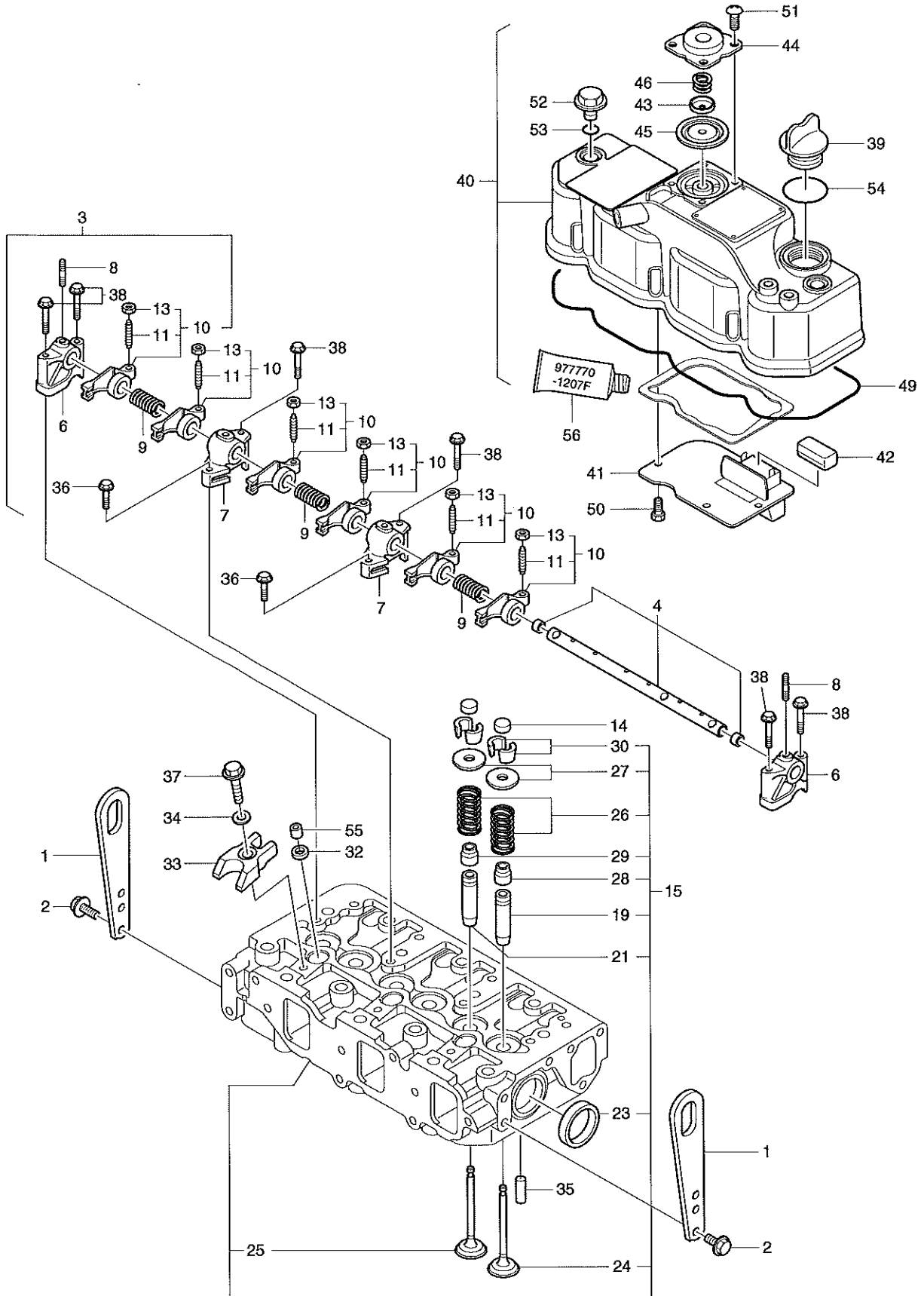
Fig. 003 FLYWHEEL HOUSING & OIL PAN
LOGEMENT DE VOLANT ET BAC A HUILE

Serial No. ;

Key No.	Part No.	Description	Description	Q'ty	S.C	Serial No.	ICA	Replaceable part	
								Part No.	Q'ty
003-1	S5701041	PIN;PARALLEL	GOUPILLE	2					
2	K9004785	HOUSING;FLYWHEEL	LOGEMENT	1					
3	2.430-00083	CAP;FLYWHEEL HOUSING	CHAPEAU	1					
4	2.120-00037	BOLT M10X25	BOULON	6					
5	K9004856	BOLT M10X30	BOULON	4					
6	K9005183	SPACER;OIL SUMP	ENTERTOISE	1					
7	2.120-00145	BOLT M8X35	BOULON	3					
8	K9005184	PAN;OIL	CAOUTCHOUC	1					
9	2.181-00355	. PLUG;DRAIN	. BOUCHON	1					
11	2.180-00910	. WASHER;SEAL	. VIS	1					
12	2.120-00136	BOLT M8X16	BOULON	6					
13	2.120-00044	BOLT M8X45	BOULON	22					
14	S5701041	PIN;PARALLEL	GOUPILLE	2					
15	K9004723	CASE ASS'Y	CARTER	1					
17	D460678	. SEAL;OIL	. JOINT	1					
18	K9004781	BOLT M8X30	BOULON	6					
19	K9004868	GASKET;LIQUID	JOINT	1					

Fig. 004 CYLINDER HEAD & COVER COUVERTURE DE CULASSE

Serial No. ;



DATE	FEB. 01, 2007
1st EDITION	

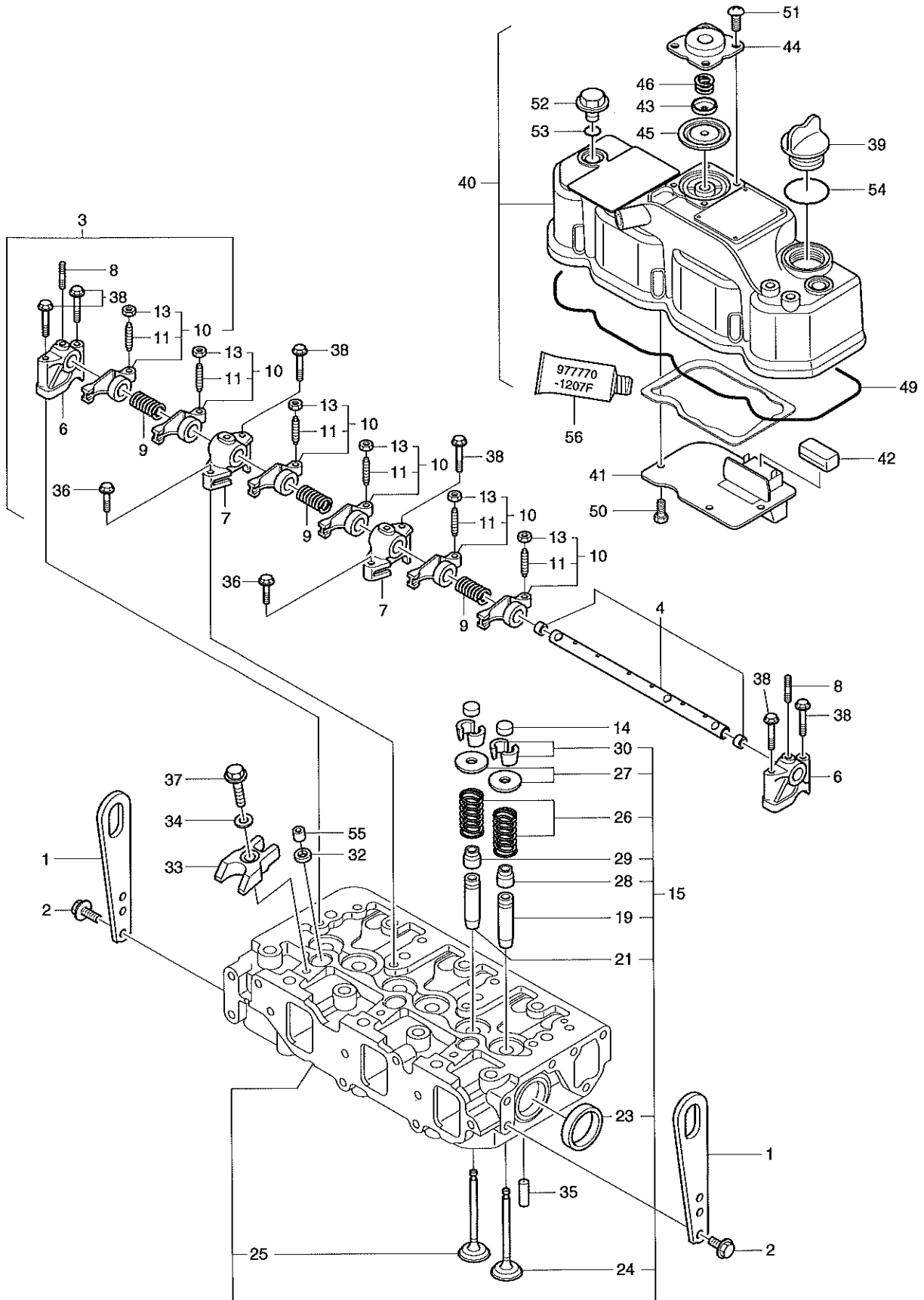
Fig. 004 CYLINDER HEAD & COVER COUVERTURE DE CULASSE

Serial No. ;

Key No.	Part No.	Description	Description	Q'ty	S.C	Serial No.	ICA	Replaceable part	
								Part No.	Q'ty
004-1	2.197-00046	LIFTER;ENGINE	POUSSOIR DE MOTEUR	2					
2	2.120-00136	BOLT M8X16	BOULON	4					
3	K9005154	ROCKER ARM SHAFT ASS'Y	BRAS DE CULBUTEUR	1					
4	K9005155	. SHAFT;ROCKER ARM	. ARBRE	1					
6	K9004637	. SUPPORT;ROCKER ARM	. SUPPORT	2					
7	K9004638	. SUPPORT;ROCKER ARM	. SUPPORT	2					
8	K9004639	. STUD	. BOULON	3					
9	K9004742	. SPRING	. RESSORT	3					
10	K9005159	. ROCKER ARM ASS'Y	. BRAS DE CULBUTEUR	6					
11	2.120-00694	.. SCREW;VALVE	.. VIS	6					
13	2.121-00084	.. NUT	.. ECROU	6					
14	K9005147	CAP;VALVE	CHAPEAU	6					
15	K9005160	CYLINDER HEAD ASS'Y	CULLASSE	1					
19	K9005208	. GUIDE;VALVE	. GUIDE	3					
21	K9005161	. GUIDE;VALVE	. GUIDE	3					
23	2.181-00308	. PLUG	. BOUCHON	2					
24	K9005152	. VALVE;INTAKE	. SOUPE D'ADMISSION	3					
25	K9005153	. VALVE;EXHAUST	. VANNE	3					
26	K9005188	. SPRING;VALVE	. RESSORT	6					
27	K9005146	. RETAINER;SPRING	. ARRETOIR	6					
28	2.180-01240	. SEAL;VALVE STEM (INTAKE)	. JOINT	3					
29	2.180-01241	. SEAL;VALVE STEM (EXHAUST)	. JOINT	3					
30	2.217-00072	. COTTER	. CLAVETTE	6					
32	2.427-00018	SEAT;NOZZLE	SIEGE	3					
33	K9005162	RETAINER;NOZZLE	ARRETOIR	3					
34	K9004670	WASHER	RONDELLE	3					
35	S5740860	PIN;SPRING	GOUVILLE	2					
36	K9004854	BOLT M8X25	BOULON	2					
37	2.120-00044	BOLT M8X45	BOULON	3					
38	K9004855	BOLT M8X50	BOULON	6					
39	D460483	CAP;FILLER	CHAPEAU	1					
40	K9005158	CYL.HEAD COVER ASS'Y	CULASSE	1					
41	K9005150	. PLATE;BAFFLE	. PLAQUE	1					
42	K9004741	. BAFFLE;BREATHER	. CLOISON DE RENIFLARD	1					
43	K9004633	. PLATE;DIAPHRAGM	. PLAQUE	1					
44	K9004634	. COVER;DIAPHRAGM	. COUVERCLE	1					
45	K9004635	. DIAPHRAGM	. DIAPHRAGME	1					
46	K9004636	. SPRING;DIAPHRAGM	. RESSORT	1					

Fig. 004 CYLINDER HEAD & COVER COUVERTURE DE CULASSE

Serial No. ;



DATE	FEB. 01, 2007
1st EDITION	

**Fig. 004 CYLINDER HEAD & COVER
COUVERTURE DE CULASSE**

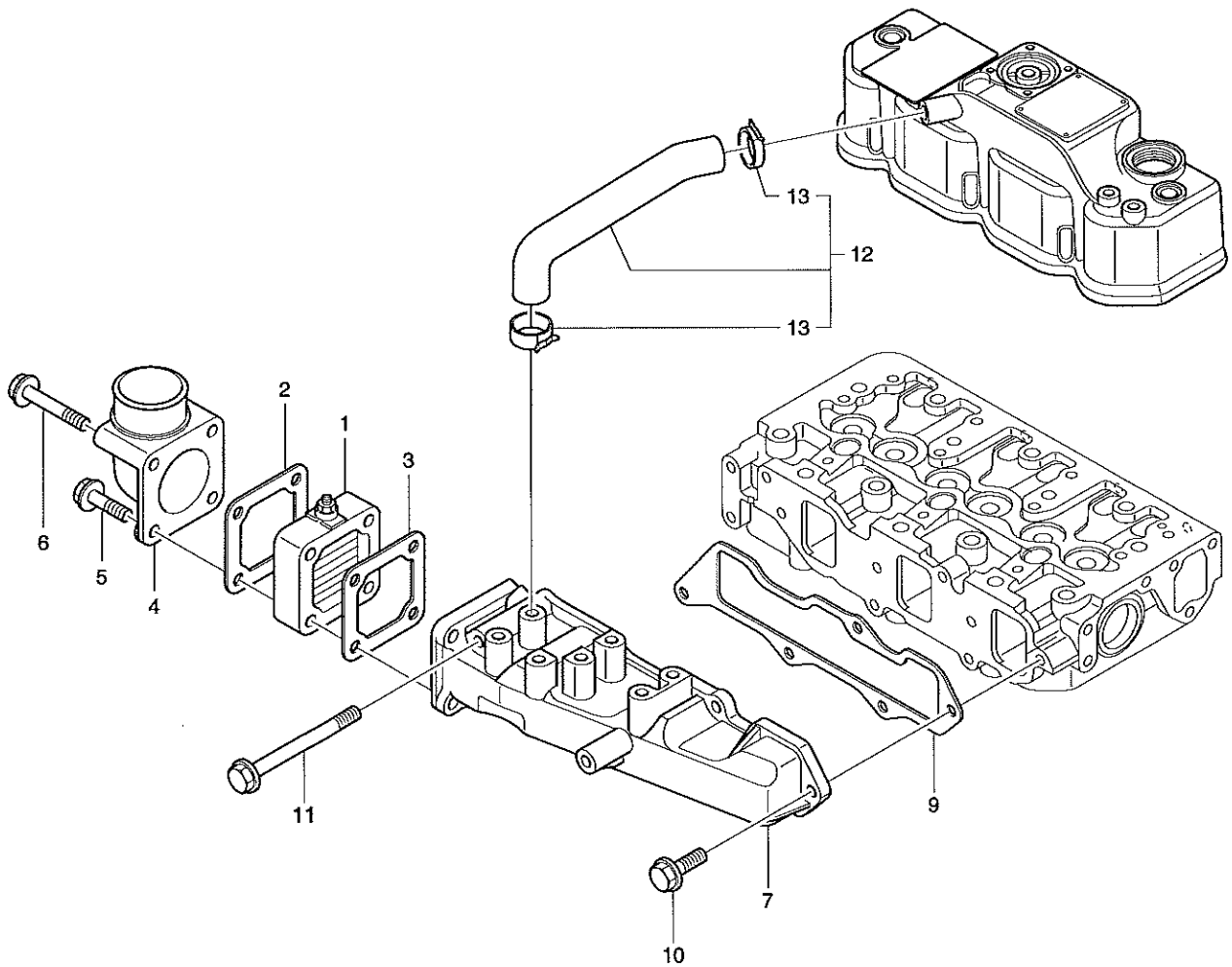
Serial No. ;

Key No.	Part No.	Description	Description	Q'ty	S.C	Serial No.	ICA	Replaceable part	
								Part No.	Q'ty
004-49	K9005156	. GASKET;COVER	. JOINT	1					
50	2.120-00496	. SCREW	. VIS	4					
51	2.120-00496	. SCREW	. VIS	4					
52	2.132-00005	KNOB	BOUTON	3					
53	S8000120	O-RING	JOINT TORIQUE	3					
54	S8000320	O-RING	JOINT TORIQUE	1					
55	2.158-00004	PROTECTOR;NOZZLE	PROTECTEUR	3					
56	K9004868	GASKET;LIQUID	JOINT	1					

DATE	FEB. 01, 2007
1st EDITION	

**Fig. 005 INTAKE MANIFOLD
TUBULURE ET COLLECTEUR**

Serial No. ;



DATE	FEB. 01, 2007
1st EDITION	

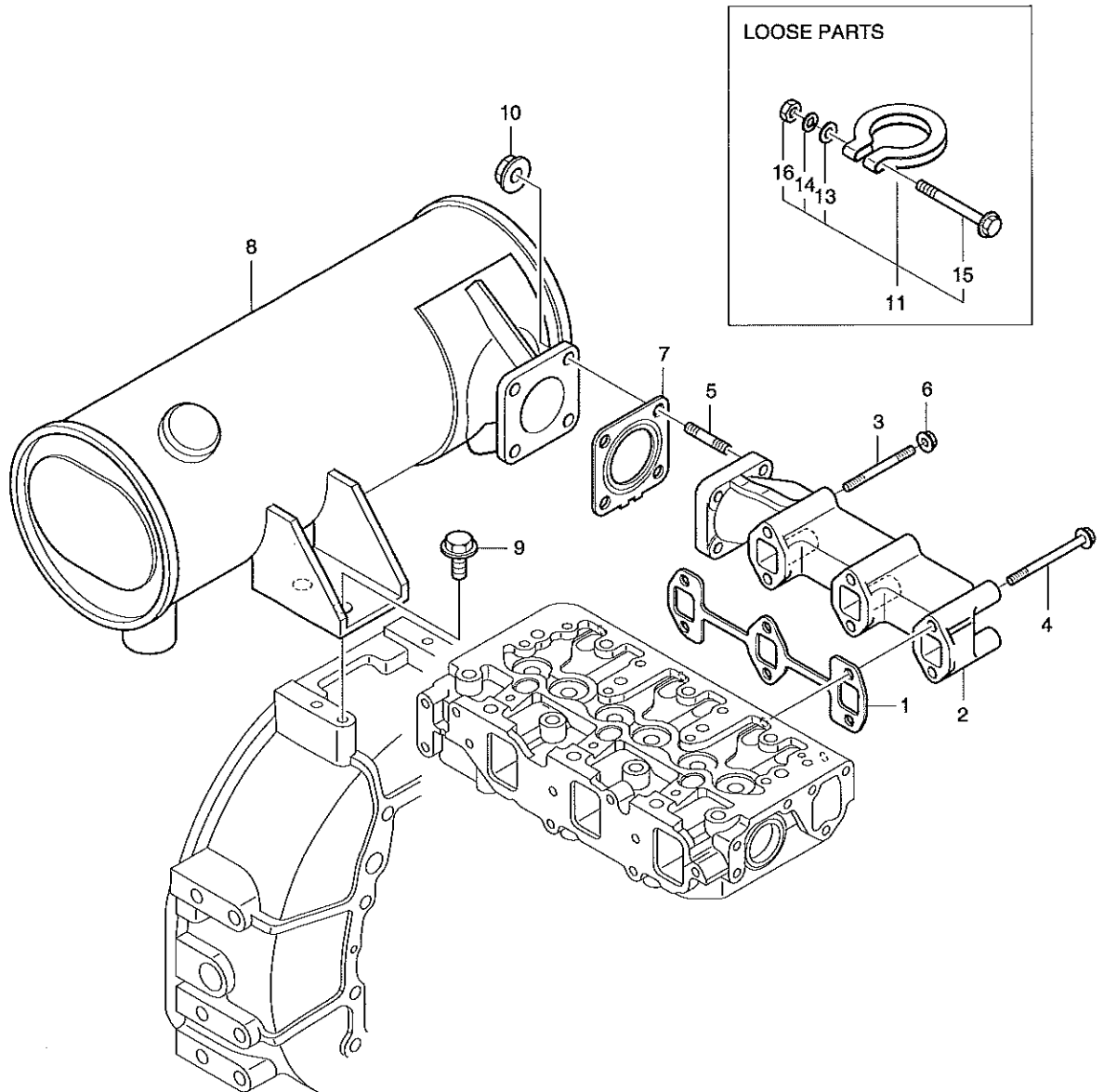
Fig. 005 INTAKE MANIFOLD TUBULURE ET COLLECTEUR

Serial No. ;

Key No.	Part No.	Description	Description	Q'ty	S.C	Serial No.	ICA	Replaceable part	
								Part No.	Q'ty
005-1	K9005211	HEATER;AIR	RECHAUFFEUR	1					
2	K9004732	GASKET;AIR HEATER	JOINT	1					
3	K9004753	GASKET	JOINT	1					
4	K9004836	BEND	COURBURE	1					
5	2.120-00139	BOLT M8X40	BOULON	2					
6	2.120-00146	BOLT M8X80	BOULON	2					
7	K9005163	MAINFOLD;INTAKE	MAINFOLD	1					
9	K9005203	GASKET;INT.MANIFOLD	JOINT	1					
10	2.120-00137	BOLT M8X20	BOULON	4					
11	2.120-00146	BOLT M8X80	BOULON	2					
12	K9005151	PIPE;BREATHER	TUYAU	1					
13	K9004776	. CLAMP	. BRIDE	2					

DATE	FEB. 01, 2007
1st EDITION	

Fig. 006 EXHAUST MANIFOLD & MUFFLER
TUBULURE ET SILENCIEUX D'ECHAPPEMENT
 Serial No. ;



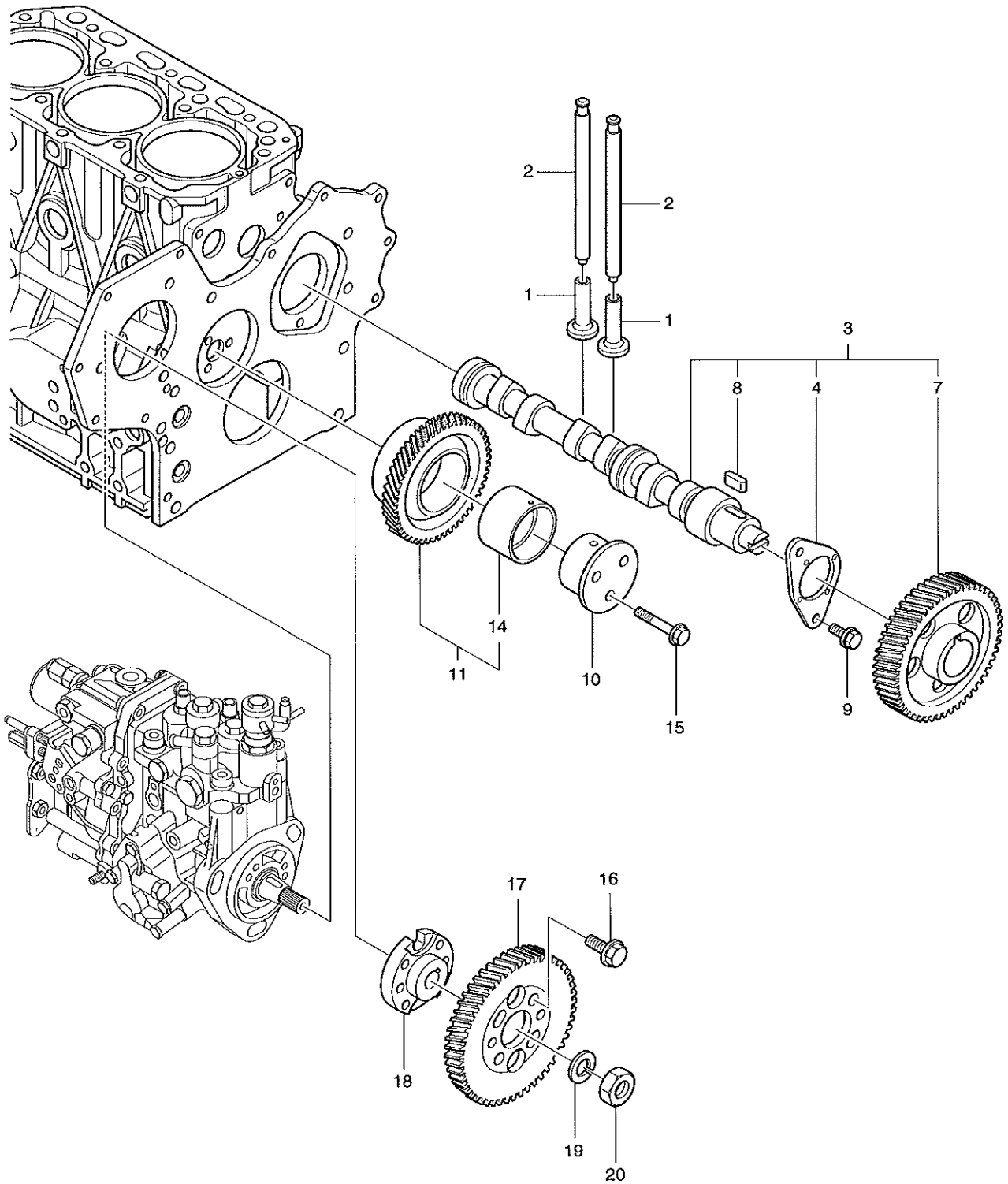
DATE	FEB. 01, 2007
1st EDITION	

Fig. 006 EXHAUST MANIFOLD & MUFFLER
TUBULURE ET SILENCIEUX D'ECHAPPEMENT
 Serial No. ;

Key No.	Part No.	Description	Description	Q'ty	S.C	Serial No.	ICA	Replaceable part	
								Part No.	Q'ty
006-1	K9005189	GASKET;EXHAUST MANIFOLD	JOINT	1					
2	K9005164	MANIFOLD;EXHAUST	COLLECTEUR	1					
3	2.120-00856	BOLT;STUD	BOULON DE GOUJON	2					
4	2.120-00855	BOLT M8X80	BOULON	4					
5	2.120-00147	BOLT M8X22	BOULON	4					
6	2.121-00267	NUT	ECROU	2					
7	K9004704	GASKET;MUFFLER	JOINT	1					
8	K9005213	MUFFLER	SILENCIEUX	1					
9	2.120-00862	BOLT M10X20	BOULON	2					
10	2.121-00267	NUT	ECROU	4					
11	K9004672	CLAMP	BRIDE	2					
13	K9004837	. WASHER	. RONDELLE	1					
14	K9004842	. WASHER;SPRING	. RONDELLE ELASTIQUE	1					
15	2.120-00144	. BOLT M10X65	. BOULON	1					
16	K9004858	. NUT	. ECROU	1					

DATE	FEB. 01, 2007
1st EDITION	

Fig. 007 CAMSHAFT & DRIVING GEAR
ARBRE A CAMES ET VITESSE D'ENTRAINEMENT
 Serial No. ;



DATE	FEB. 01, 2007
1st EDITION	

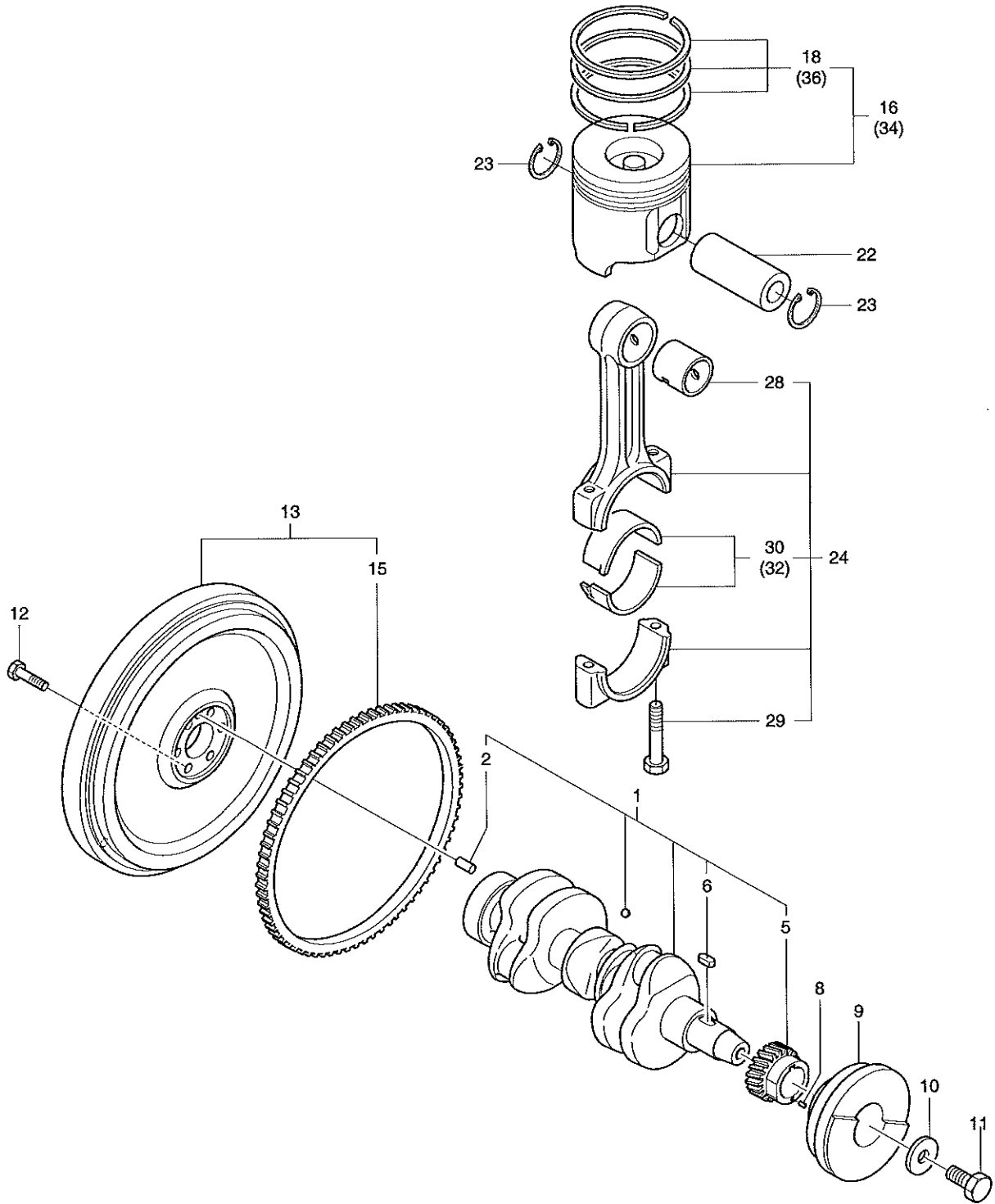
Fig. 007 CAMSHAFT & DRIVING GEAR
ARBRE A CAMES ET VITESSE D'ENTRAINEMENT
 Serial No. ;

Key No.	Part No.	Description	Description	Q'ty	S.C	Serial No.	ICA	Replaceable part	
								Part No.	Q'ty
007-1	2.429-00133	TAPPET	TRINGLERIE	6					
2	K9005191	ROD;PUSH	TIGE	6					
3	K9005165	CAMSHAFT ASS'Y	ENSEMBLE DE ARBRE A	1					
4	2.177-00050	. METAL;THRUST	. METAL	1					
7	K9004744	. GEAR;CAMSHAFT	. PIGNON	1					
8	2.113-00005	. KEY	. CLE	1					
9	2.120-00041	BOLT M8X14	BOULON	2					
10	K9004641	SHAFT;IDLE GEAR	ARBRE	1					
11	K9004643	IDLE GEAR ASS'Y	VITESSE A VIDE	1					
14	K9004642	. BUSH;IDLE GEAR	. DOUILLE	1					
15	2.120-00139	BOLT M8X40	BOULON	3					
16	K9004748	BOLT	BOULON	4					
17	K9004644	GEAR;PUMP	PIGNON	1					
18	K9004804	FLANGE	BRIDE	1					
19	K9004843	WASHER;SPRING	RONDELLE ELASTIQUE	1					
20	K9004859	NUT;LOCK	ECROU	1					

DATE	FEB. 01, 2007
1st EDITION	

**Fig. 008 CRANKSHAFT & PISTON
VILEBREQUIN ET PISTON**

Serial No. ;





Download the full PDF manual instantly.

Our customer service e-mail:

aservicemanualpdf@yahoo.com