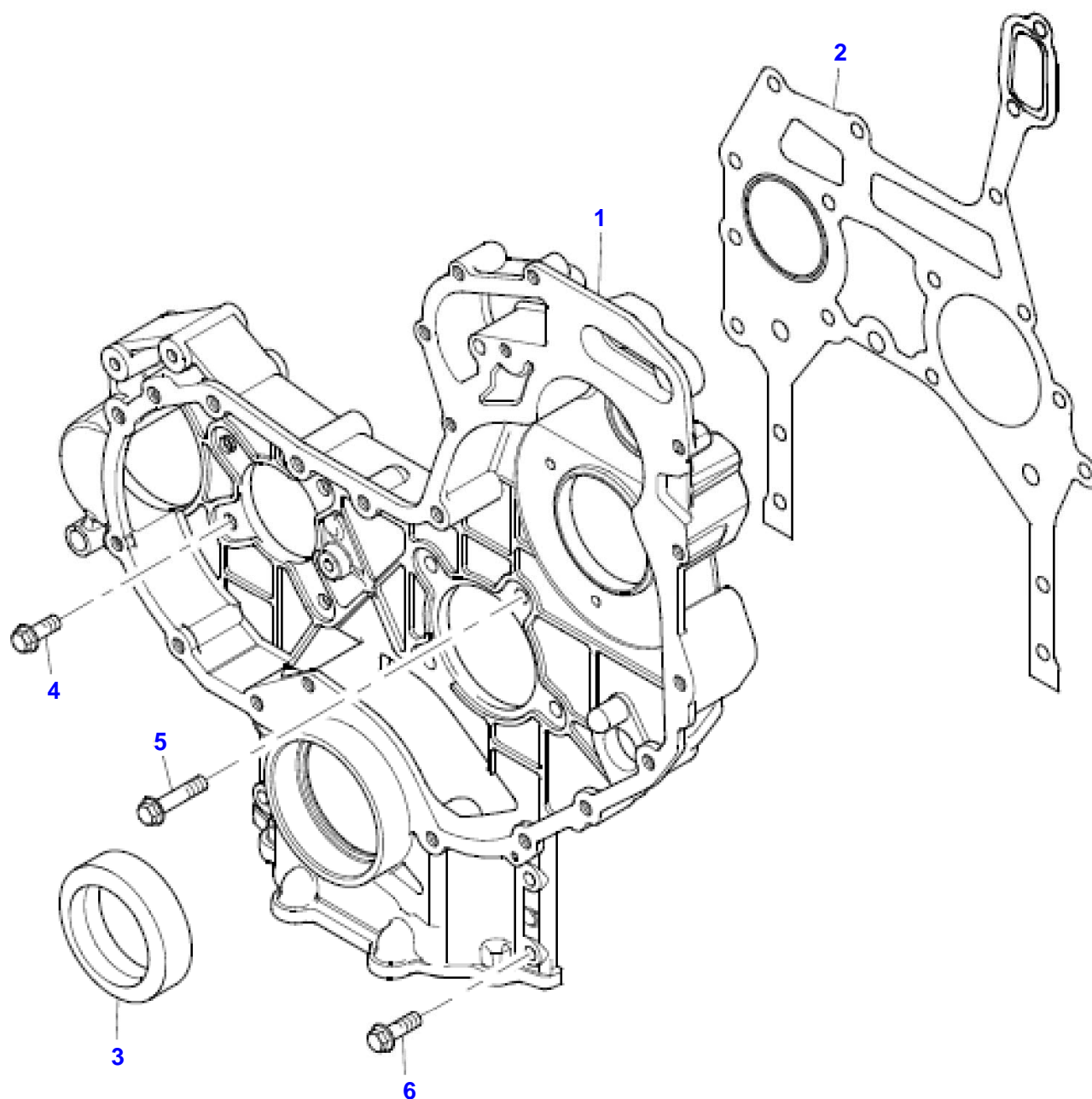
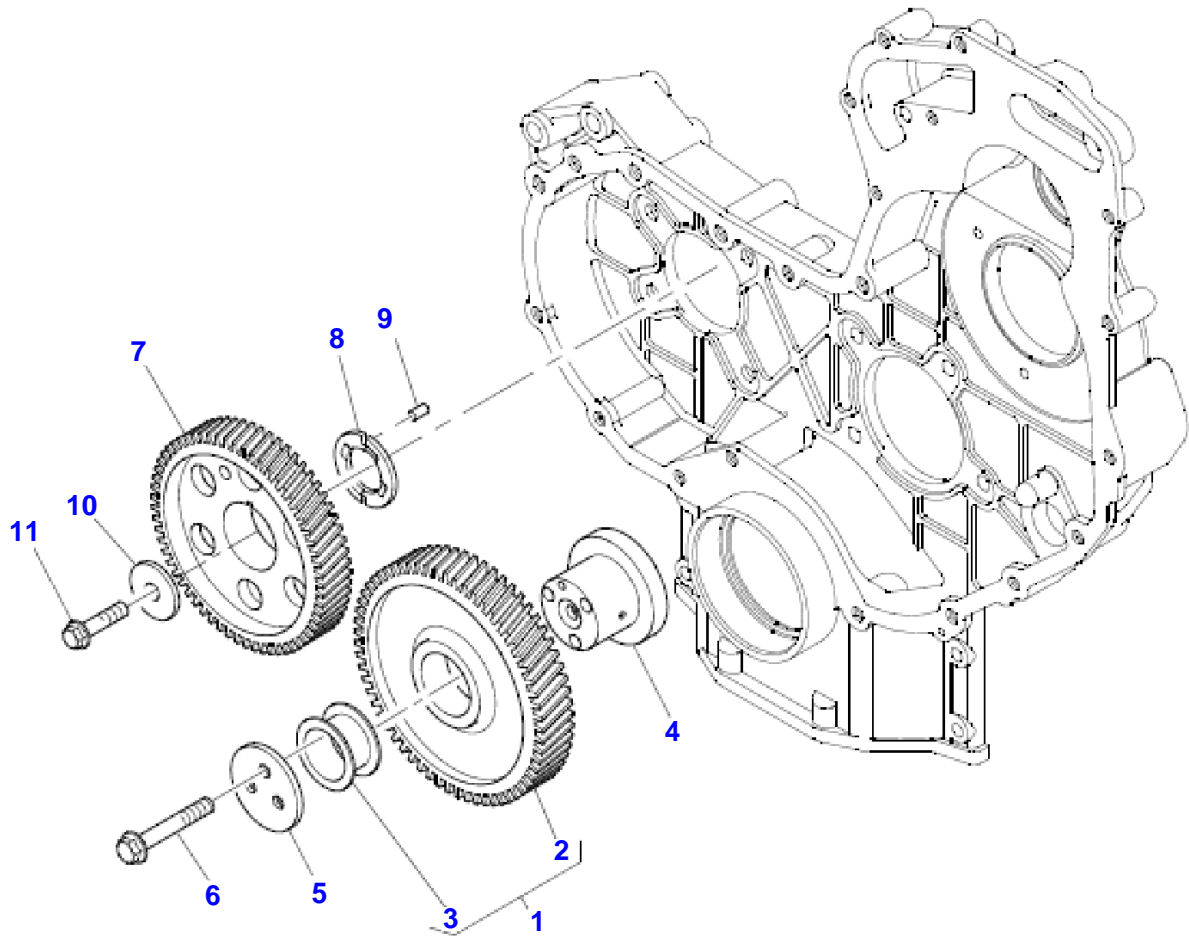


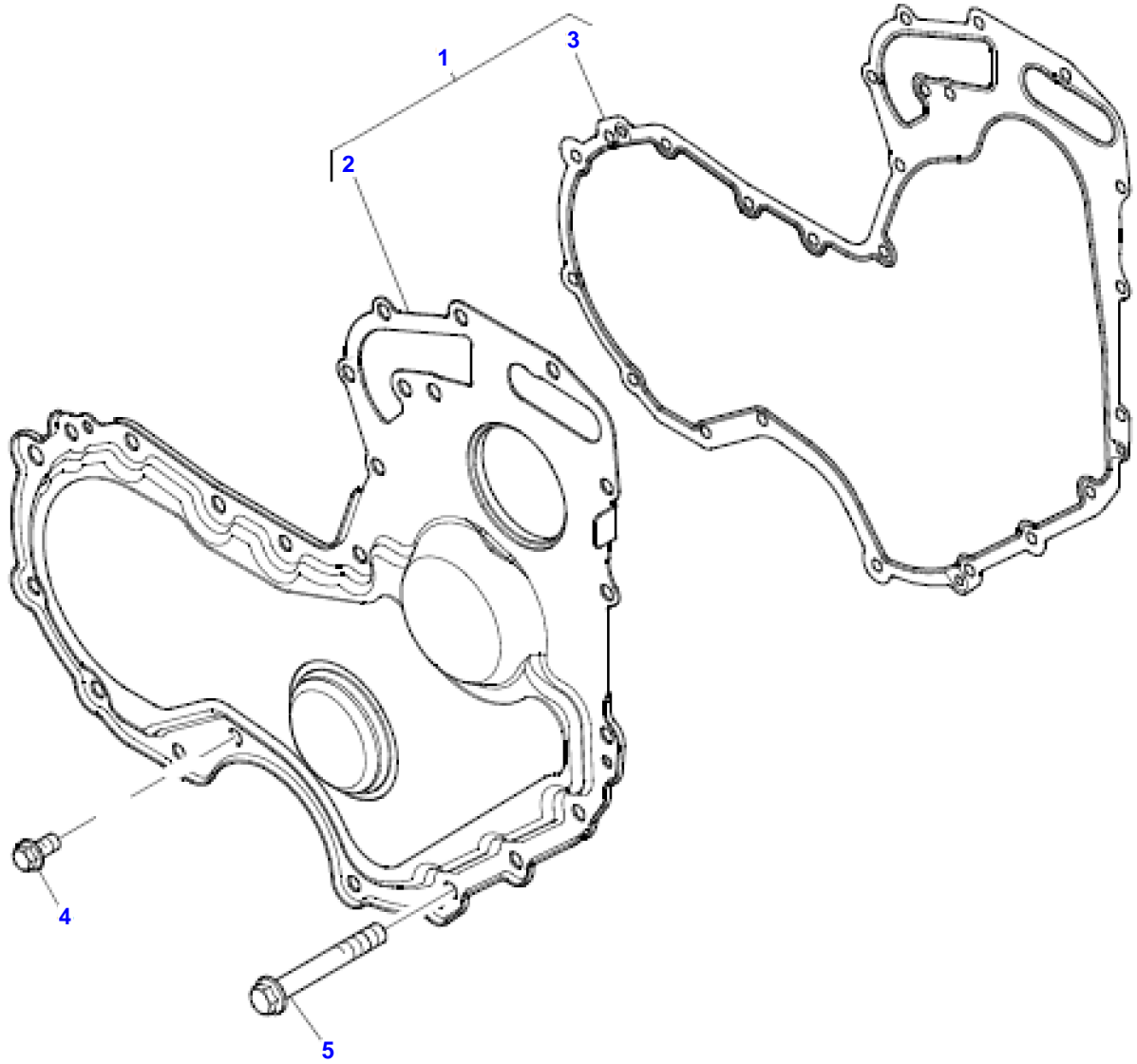
<b>Page Number</b>	<b>Page Title</b>	<b>Page Reference</b>
01-000-TOC	ENGINE, FUEL AND EXHAUST SYSTEM	01-000-TOC
02-000-TOC	AXLES	02-000-TOC
03-000-TOC	DRIVE TRAIN SYSTEM	03-000-TOC
04-000-TOC	HYDRAULIC SYSTEM	04-000-TOC
05-000-TOC	ELECTRICAL SYSTEM	05-000-TOC
06-000-TOC	CAB	06-000-TOC
07-000-TOC	PLATFORM	07-000-TOC
08-000-TOC	CHASSIS	08-000-TOC
09-000-TOC	WHEELS	09-000-TOC
10-000-TOC	IMPLEMENT DRIVE SYSTEM	10-000-TOC
11-000-TOC	LINKAGE	11-000-TOC
12-000-TOC	ACCESSORIES	12-000-TOC



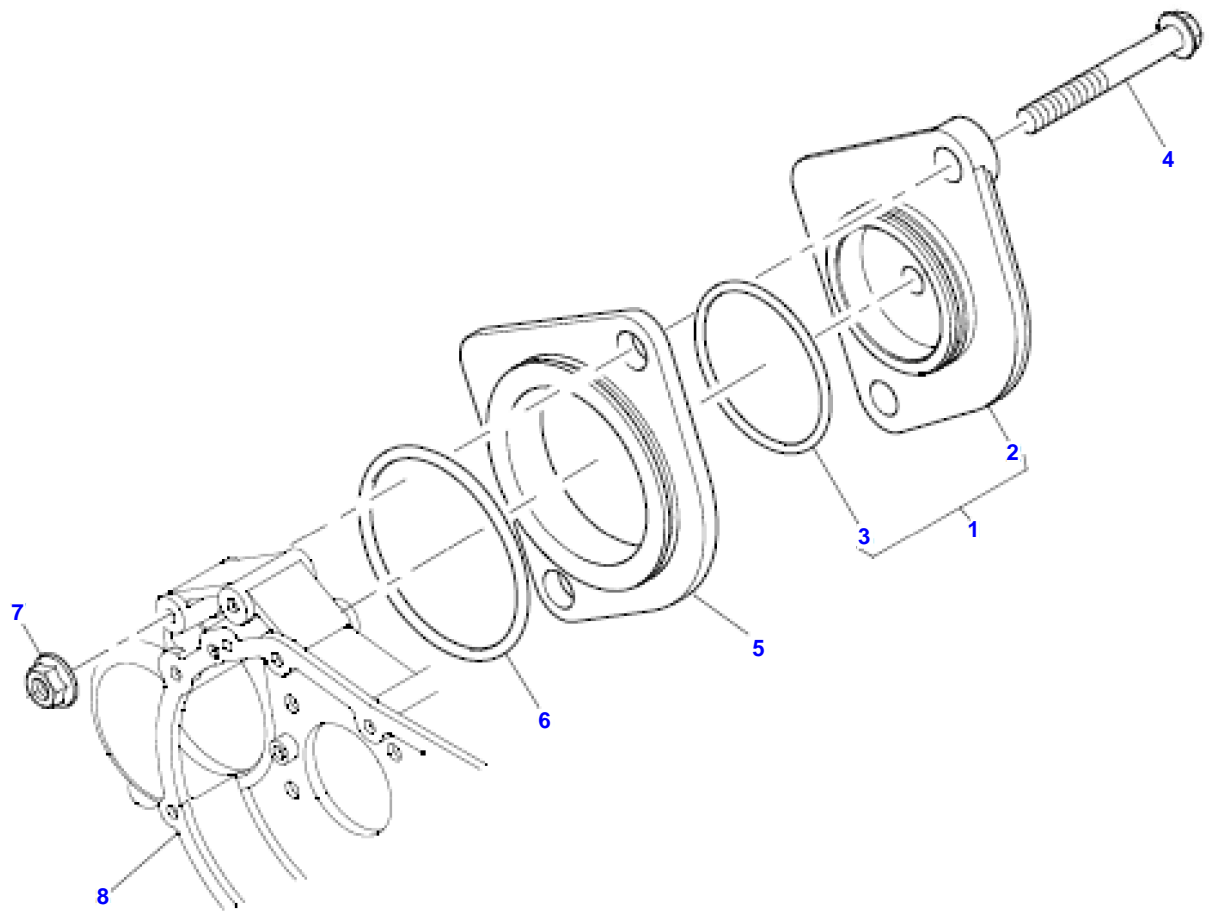
<b>Item</b>	<b>Part Number</b>	<b>Qty</b>	<b>Description Comments</b>	<b>Technical Specification</b>
1	4226225M1	1	TIMING GEAR CASE	
2	4226378M1	1	GASKET	
3	4226213M1	1	OIL SEAL	
4	3012152X1	6	HEXAGON FLANGE BOLT	M8 X 20 (1.25) ISO 8.8 ZN
5	3637110M1	2	HEXAGON FLANGE BOLT	M8 X 35
6	3637092M1	4	HEXAGON FLANGE BOLT	M8 X 25



Item	Part Number	Qty	Description Comments	Technical Specification
1	4225413M1	1	DISTRIBUTOR GEAR	
2	NS	1	NON-SERVICEABLE PART NOT SERVICED,ORDER 4225413M1	
3	NS	1	NON-SERVICEABLE PART NOT SERVICED,ORDER 4225413M1	
4	4226761M1	1	HUB	
5	4226219M1	1	PLATE	
6	3637096M1	3	HEXAGON FLANGE BOLT	M10 X 65
7	4226812M1	1	GEAR	
8	4224830M1	1	PLATE	
9	1476145X1	1	DOWEL	
10	747557M1	1	WASHER	
11	1476280X1	1	HEXAGON FLANGE BOLT	M12 X 45

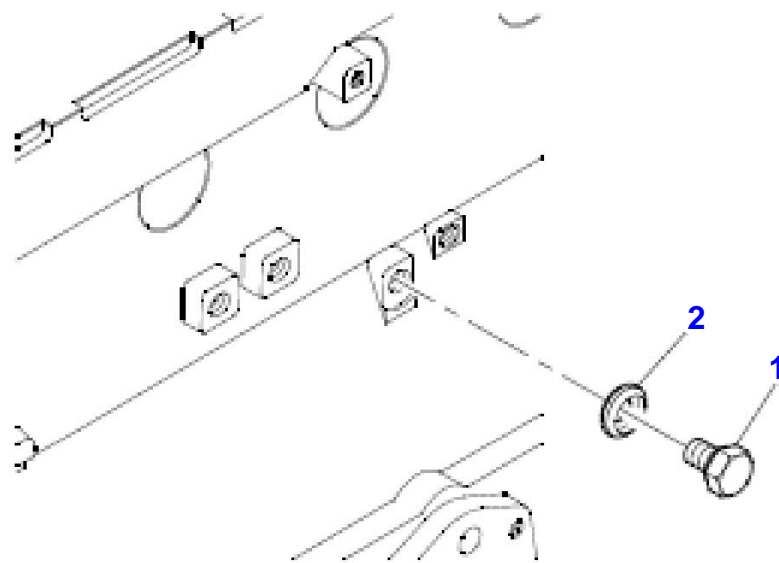


Item	Part Number	Qty	Description Comments	Technical Specification
1	4225403M91	1	TIMINGGEAR COVER	
2	NS		NON-SERVICEABLE PART NOT SERVICED,ORDER 4225403M91	
3	4224958M1	1	GASKET	
4	3637044M1	9	HEXAGON FLANGE BOLT	M8 X 16
5	1818230C1	5	BOLT	M8X65





<b>Item</b>	<b>Part Number</b>	<b>Qty</b>	<b>Description Comments</b>
1	4225344M1	1	BLANKING PLATE
2	NS	1	NON-SERVICEABLE PART NOT SERVICED,ORDER 4225344M1
3	4226193M1	1	O RING
4	3640342M1	2	HEXAGON FLANGE BOLT
5	4227154M1	1	PLATE
6	4225827M1	1	O RING
7	3637221M1	2	NUT
8	NS	1	NON-SERVICEABLE PART TIMING CASE



---

Massey Ferguson

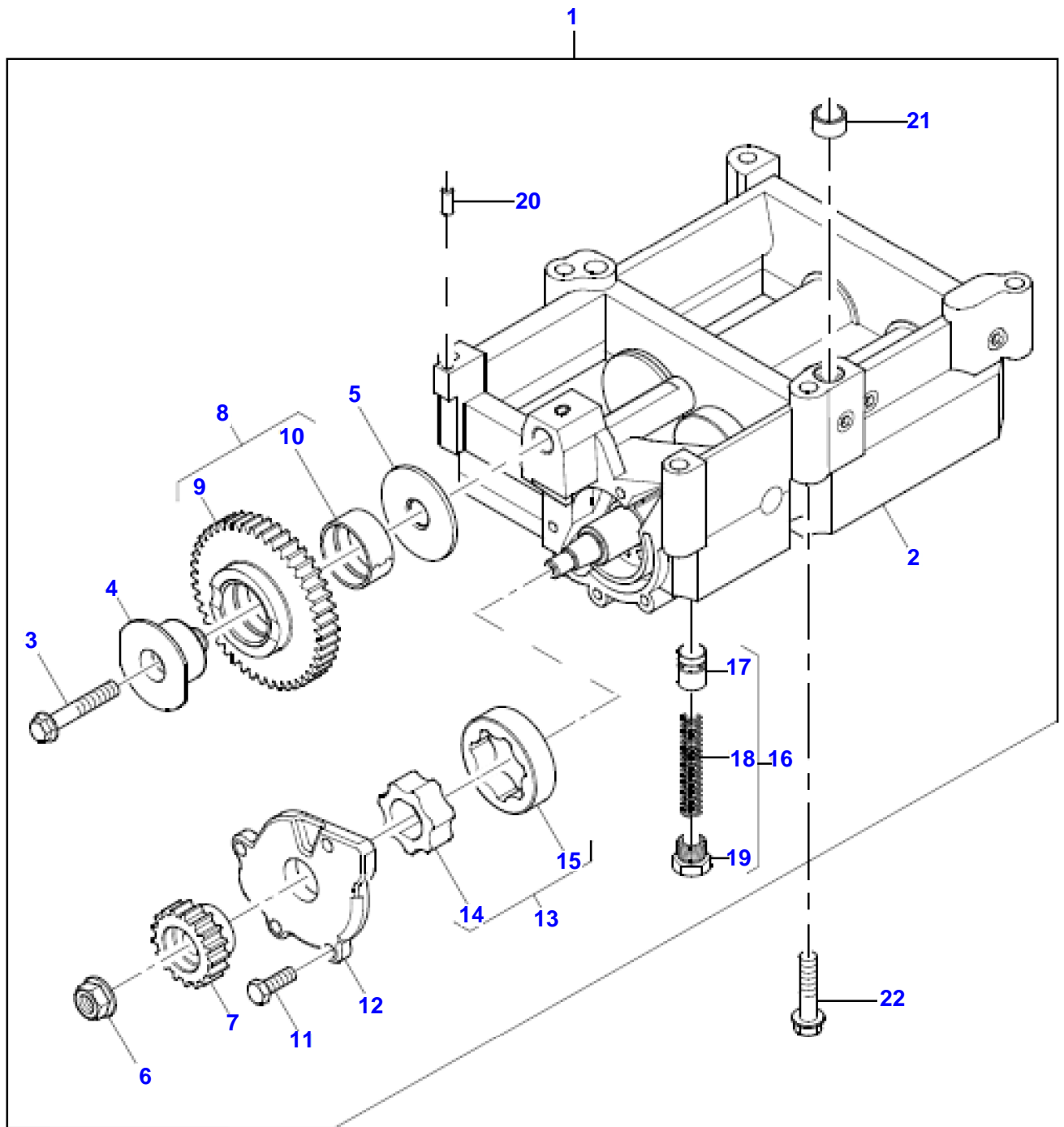
MF 455XTRA TRACTOR FROM SERIAL NUMBER AGCM1004TC5334001

C045502

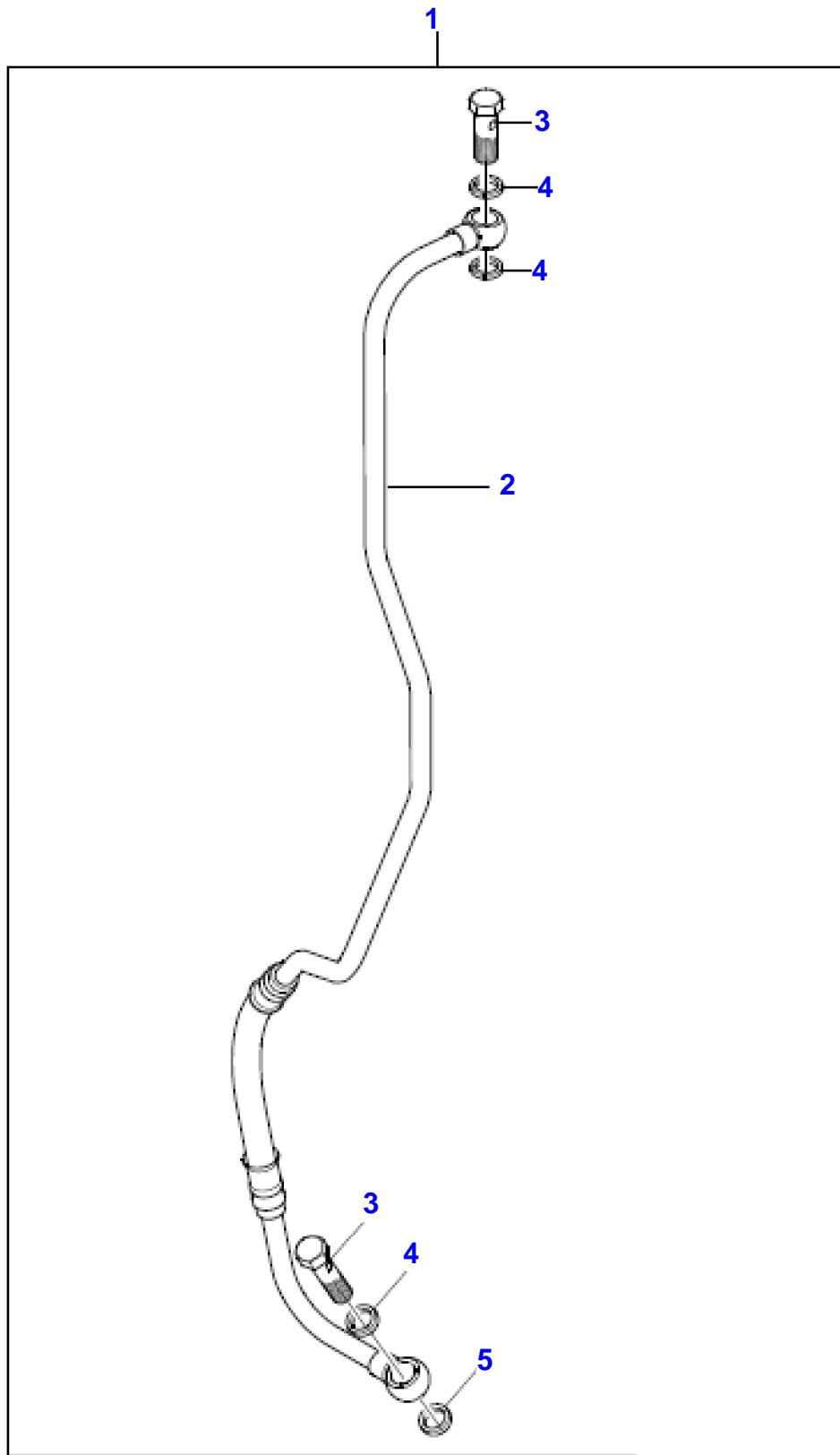
BLANKING PLUGS

Page01-0053

Item	Part Number	Qty	Description Comments
1	3638809M1	1	HEX CAP SCREW
2	4224559M1	1	WASHER

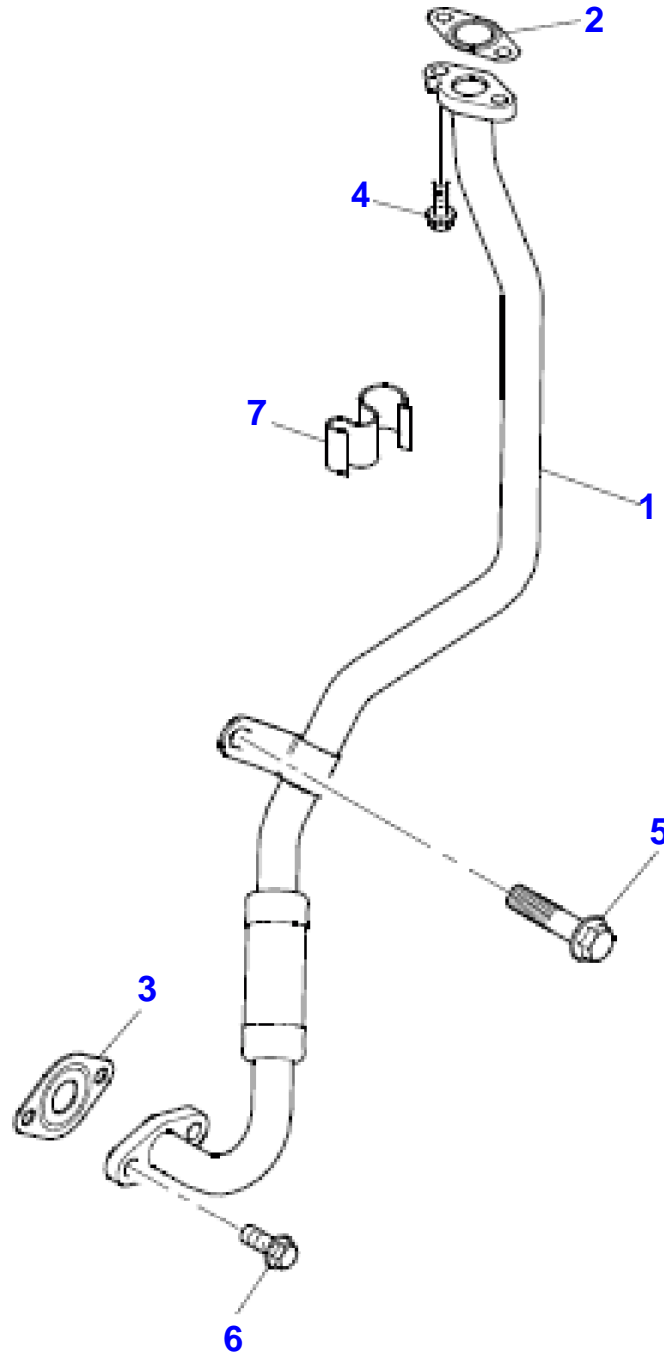


Item	Part Number	Qty	Description Comments	Technical Specification
1	4225009M1	1	BALANCER	
2	NS	1	NON-SERVICEABLE PART NOT SERVICED,ORDER 4225009M1	
3	4224739M1	1	HEX CAP SCREW	
4	4225171M1	1	SHAFT	
5	4224897M1	1	WASHER	
6	4224745M1	1	NUT	
7	4224832M1	1	GEAR	
8	4225007M1	1	GEAR	
9	NS	1	NON-SERVICEABLE PART NOT SERVICED,ORDER 4225007M1	
10	4225007M1	1	GEAR	
11	4224734M1	5	HEX CAP SCREW	
12	4224983M1	1	COVER	
13	4225008M1	1	ROTOR	
14	NS	1	NON-SERVICEABLE PART NOT SERVICED,ORDER 4225008M1	
15	4225008M1	1	ROTOR NOT SERVICED,ORDER 4225008M1	
16	4225067M91	1	VALVE CHECK	
17	4224877M1	1	CONTACT	
18	4224858M1	1	SPRING	
19	4224869M1	1	PLUG	
20	4224876M1	1	DOWEL	
21	3641737M1	1	THIMBLE	
22	3637049M1	6	HEXAGON FLANGE BOLT	M10 X 70



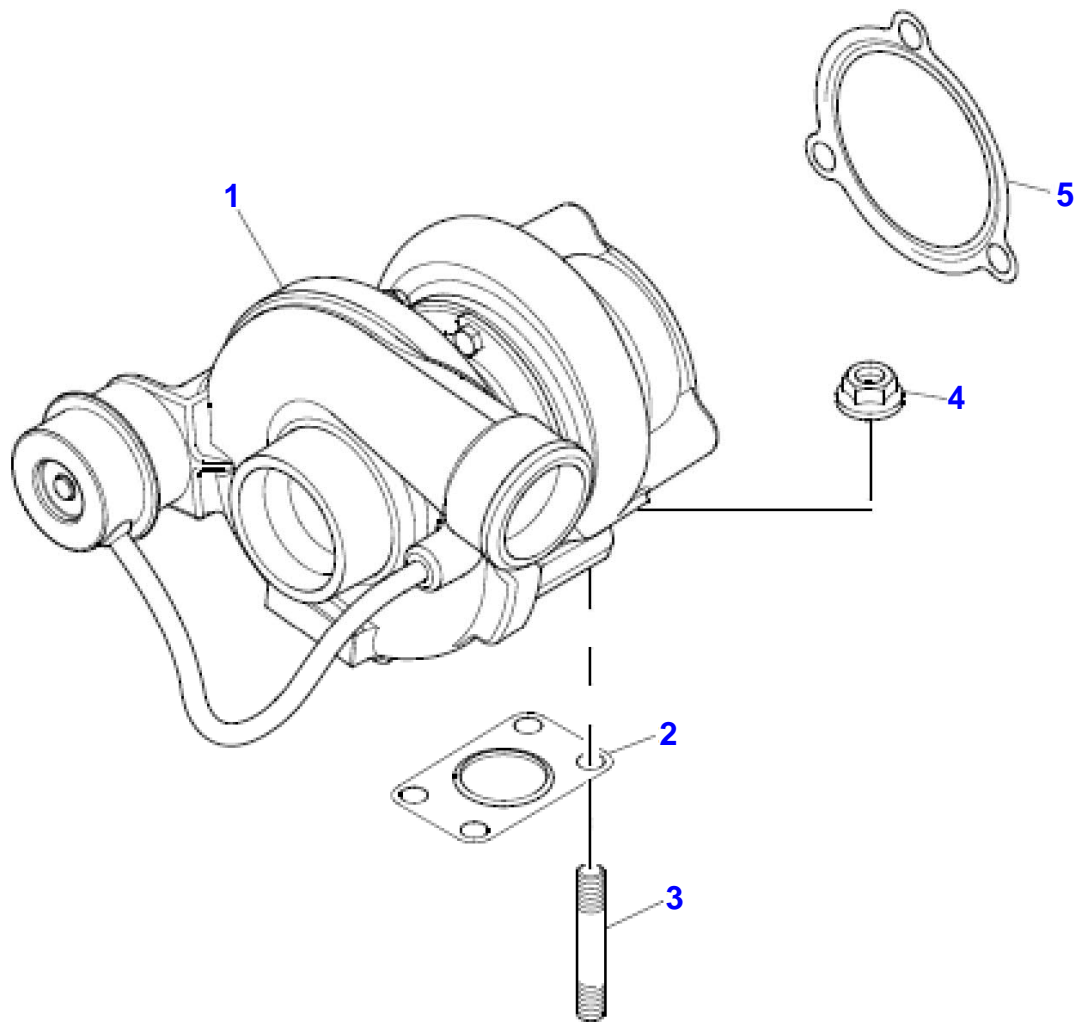
FEED PIPES

Item	Part Number	Qty	Description Comments
1	4226865M1	1	PIPE
2	NS	1	NON-SERVICEABLE PART NOT SERVICED,ORDER 4226865M1
3	4224872M1	2	BANJO BOLT
4	4224718M1	3	FLAT WASHER
5	4224718M1	1	FLAT WASHER

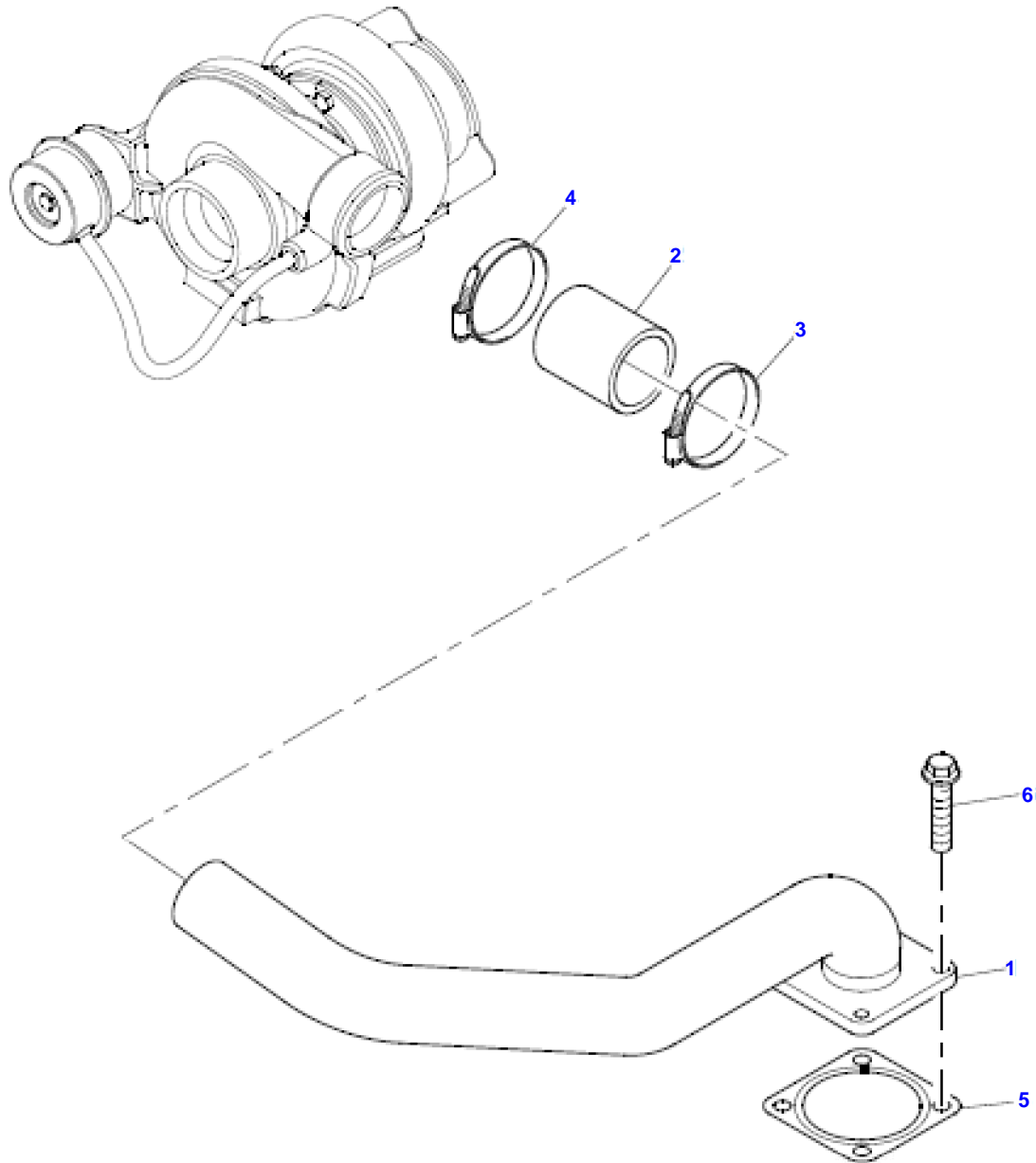




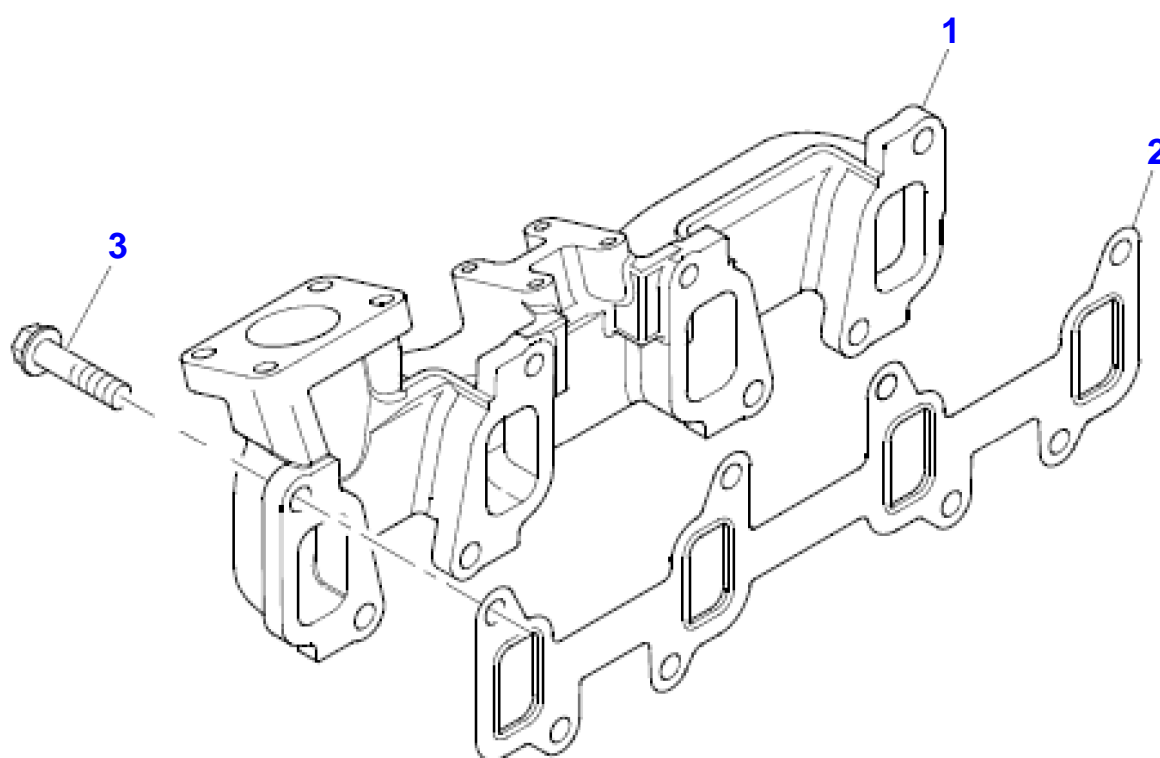
<b>Item</b>	<b>Part Number</b>	<b>Qty</b>	<b>Description Comments</b>	<b>Technical Specification</b>
1	4226864M1	1	PIPE	
2	4227348M1	1	GASKET	
3	4227349M1	1	GASKET	
4	3637247M1	2	HEXAGON FLANGE BOLT	
5	4222324M1	1	HEX CAP SCREW	
6	3012152X1	2	HEXAGON FLANGE BOLT	M8 X 20 (1.25) ISO 8.8 ZN
7	4224772M1	1	CLIP	



<b>Item</b>	<b>Part Number</b>	<b>Qty</b>	<b>Description Comments</b>	<b>Technical Specification</b>
1	4224814M91	1	TURBOCHARGER	
2	4224185M1	1	GASKET	
3	4227157M1	4	STUD BOLT	
4	3637108M1	4	NUT	M10 (1.5)
5	4224968M1	1	GASKET	



<b>Item</b>	<b>Part Number</b>	<b>Qty</b>	<b>Description Comments</b>	<b>Technical Specification</b>
1	4224924M1	1	PIPE	
2	4225882M1	1	HOSE	
3	4224769M1	1	HOSE CLIP	
4	4224769M1	1	HOSE CLIP	
5	ACP0313350	1	GASKET	
6	3638435M1	4	HEX CAP SCREW	M8 X 20



---

Massey Ferguson

MF 455XTRA TRACTOR FROM SERIAL NUMBER AGCM1004TC5334001

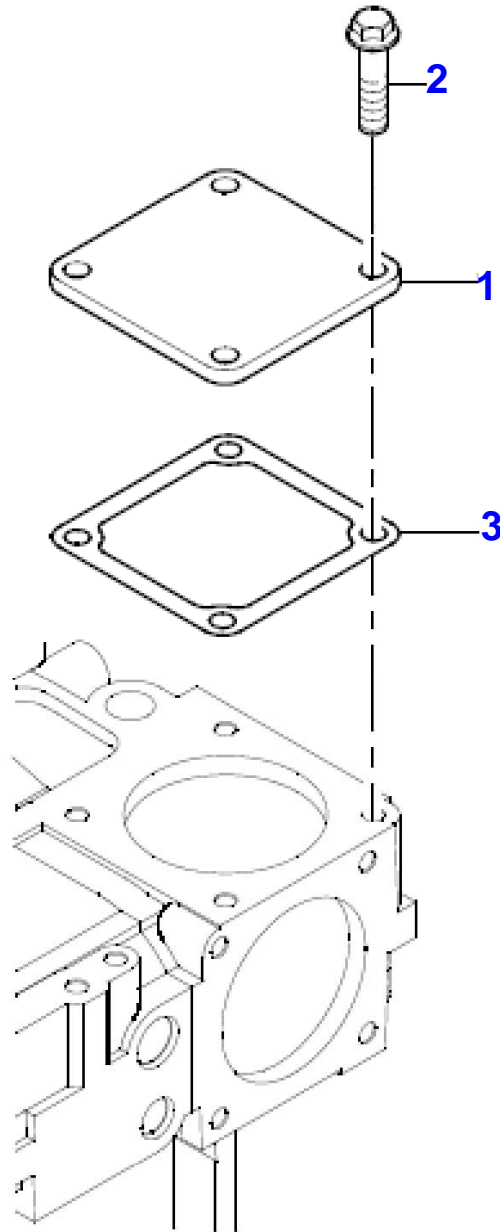
C045502

EXHAUST MANIFOLD

Page01-0059

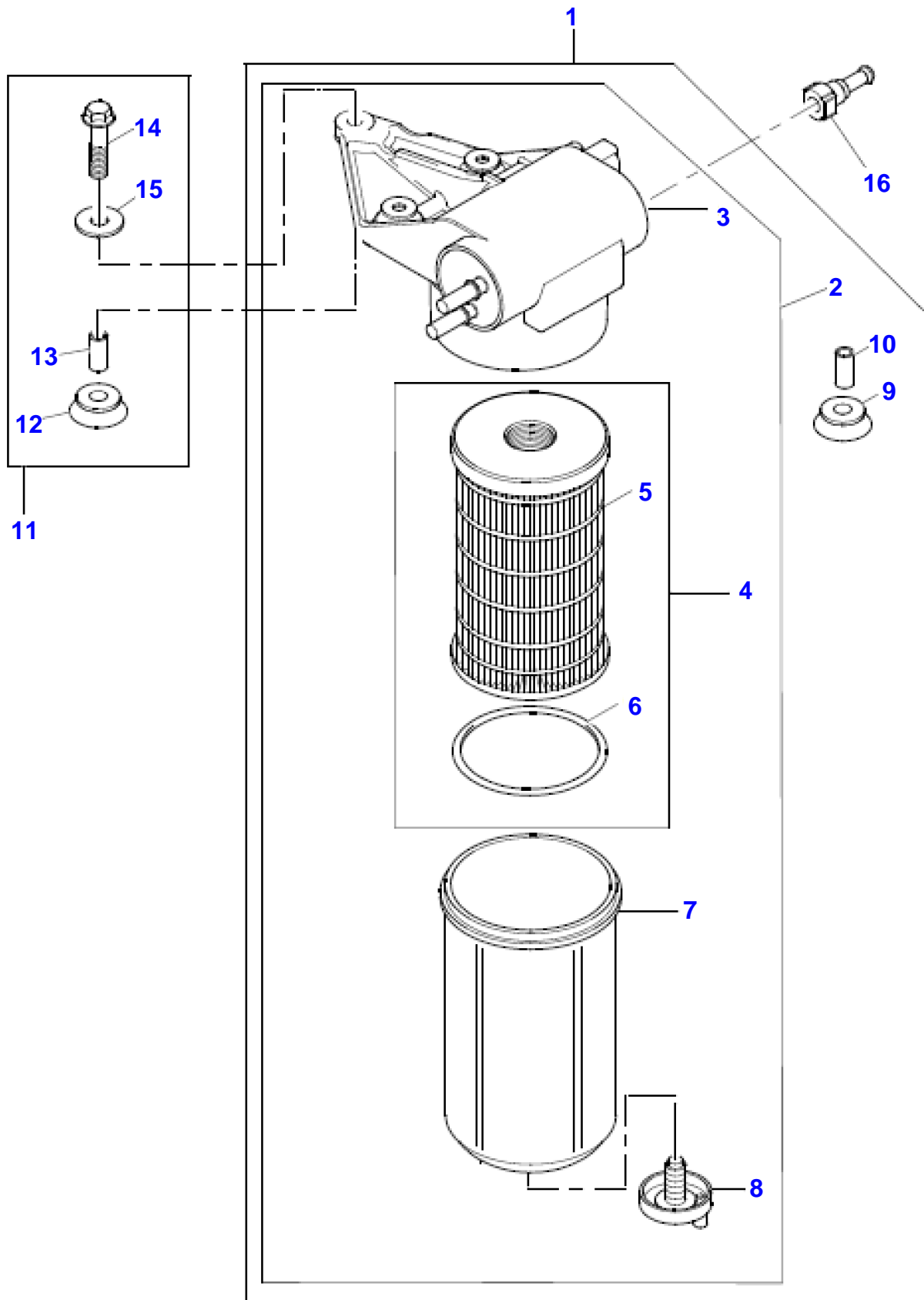
---

Item	Part Number	Qty	Description Comments
1	4227102M1	1	EXHAUST MANIFOLD
2	4224959M1	1	JOINT
3	4222341M1	8	HEXAGON FLANGE BOLT





<b>Item</b>	<b>Part Number</b>	<b>Qty</b>	<b>Description Comments</b>	<b>Technical Specification</b>
1	4224928M1	3	PLATE	
2	3638435M1	12	HEX CAP SCREW	M8 X 20
3	3641020M1	3	JOINT	





**Download the full PDF manual instantly.**

**Our customer service e-mail:**

**[aservicemanualpdf@yahoo.com](mailto:aservicemanualpdf@yahoo.com)**