

Engine

X50 Series Tier 4 (2013-) - RS25 - X50.30

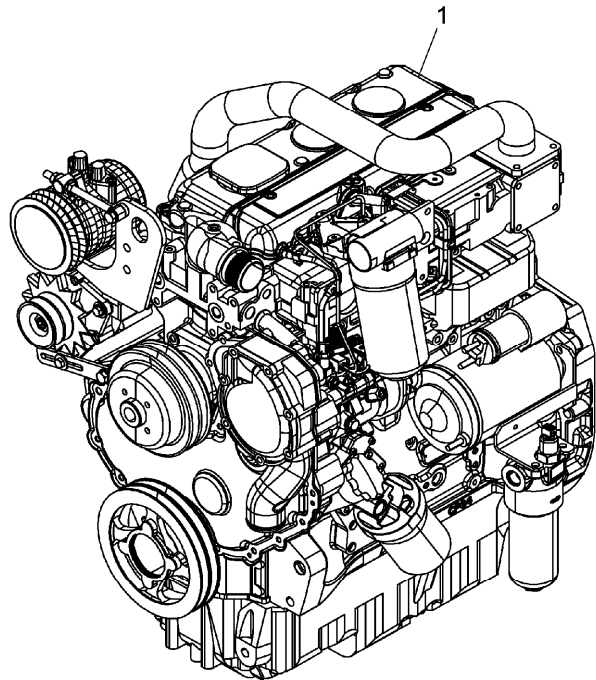
RS25\00005170.png

A-05
01



A0501

Engine assembly



Inglese

1 6510132M91 "perkins - jr51750" 1 Engine
70 kw

A

1 6521160M91 "perkins - jr82451" 1 Engine
70 kw

B

1 6529269M91 "perkins - jr82759" 1 Engine
70 kw

C

D

- A Tier 4
- B Tier 4 pre-built
- C Epa flexibility engine
- D Tier 3b

Engine

X50 Series Tier 4 (2013-) - RS25 - X50.30

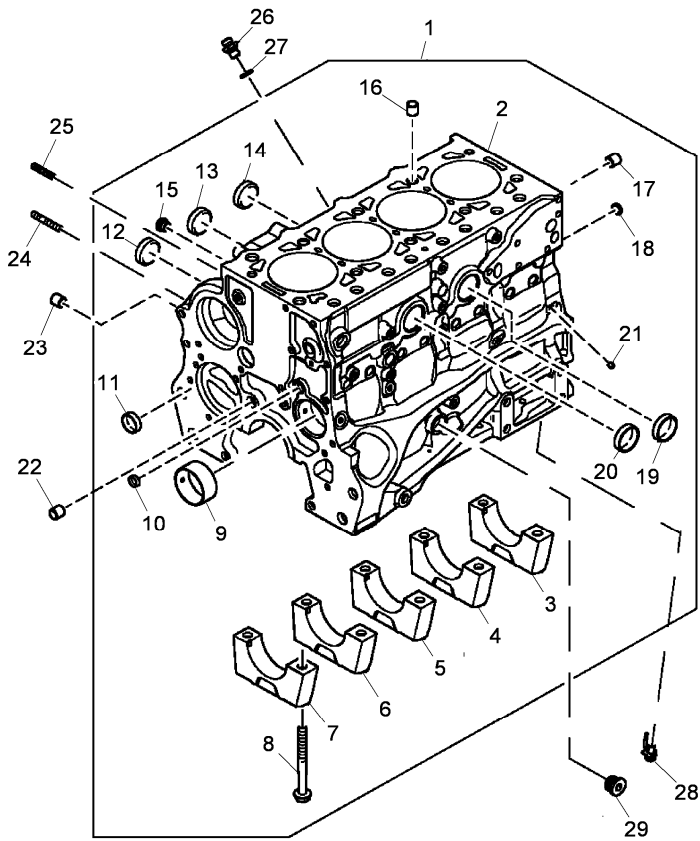
RS25\00043648.png

A-05
02



A0502

Cylinder block



| | | Inglese | |
|----|-----------|---------|----------------|
| 1 | A | 1 | Block |
| 2 | ! | 1 | Cylinder block |
| | A | | |
| 3 | ! | 1 | Bearing |
| | A | | |
| 4 | ! | 1 | Bearing |
| | A | | |
| 5 | ! | 1 | Bearing |
| | A | | |
| 6 | ! | 1 | Bearing |
| | A | | |
| 7 | ! | 1 | Bearing |
| | A | | |
| 8 | 6515957M1 | ! | 10 Bolt |
| 9 | 6516161M1 | ! | 1 Bush |
| 10 | 6516170M1 | ! | 1 Plug |
| 11 | 6516049M1 | ! | 1 Plug |
| 12 | 6516048M1 | ! | 1 Plug |
| 13 | 6516048M1 | ! | 1 Plug |
| 14 | 6516048M1 | ! | 1 Plug |
| 15 | 6515956M1 | ! | 1 Plug |
| 16 | 6515958M1 | ! | 8 Dowel |
| 17 | 6515958M1 | ! | 2 Dowel |
| 18 | 6516170M1 | ! | 2 Plug |
| 19 | 6516048M1 | ! | 1 Plug |

Engine

X50 Series Tier 4 (2013-) - RS25 - X50.30

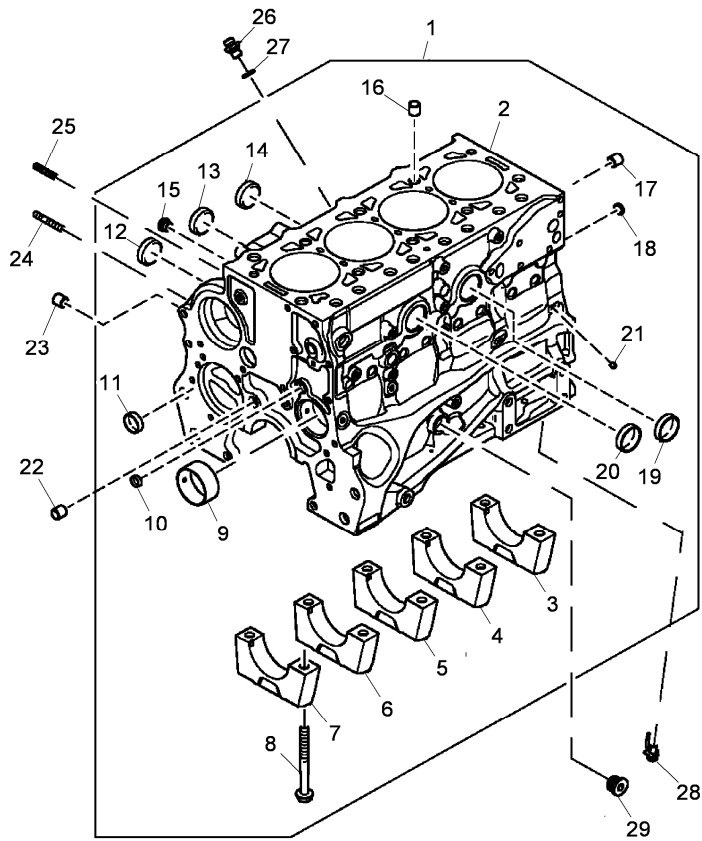
RS25\00043648.png

A-05
02



A0502

Cylinder block



- 20 6516048M1 ! 1
- 21 6515953M1 ! 1
- 22 6515958M1
- 23 6515958M1
- 24 6518755M1
- 25 6516169M1
- 26 6515951M1
- 27 6515959M1
- 28 6516050M1
- 29 6516166M1

! This is a component of an assembly
 A To be advised

Inglese

- 1 Plug
- 4 Plug
- 1 Dowel
- 3 Dowel
- 2 Stud
- 2 Stud
- 1 Bolt
- 1 Washer
- 4 Atomiser
- 1 Nut

Engine

X50 Series Tier 4 (2013-) - RS25 - X50.30

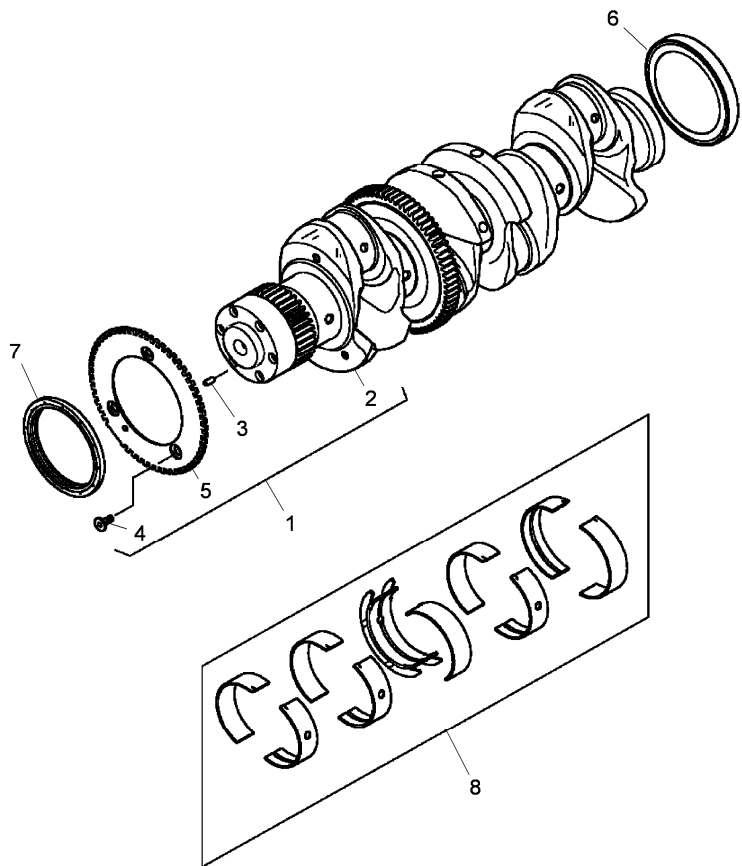
RS25\00043649.png

A-05
03



A0503

Camshaft



| | | Inglese | |
|--------------------------------------|------------|-----------------|---------|
| 1 | 6516188M91 | | 1 Shaft |
| 2 | | ! 1 | 1 Shaft |
| | | ➡ Ref.n.1 | |
| 3 | 6515941M1 | ! 1 | 1 Dowel |
| 4 | 6515942M1 | ! 1 | 3 Bolt |
| 5 | 6515960M1 | ! 1 | 1 Disc |
| | | ● 6515960M91(1) | |
| 6 | 6516063M1 | | 1 Seal |
| 7 | 6529760M1 | 90x112x10,6 | 1 Seal |
| 8 | 6516093M91 | ▲ -0.508mm | 1 Kit |
| 8 | 6516097M91 | ▲ -0.254mm | 1 Kit |
| 8 | 6516099M91 | | 1 Kit |
| ! This is a component of an assembly | | | |
| ➡ Not serviced, order | | | |
| ▲ Shim | | | |
| ● Replacement | | | |

Engine

X50 Series Tier 4 (2013-) - RS25 - X50.30

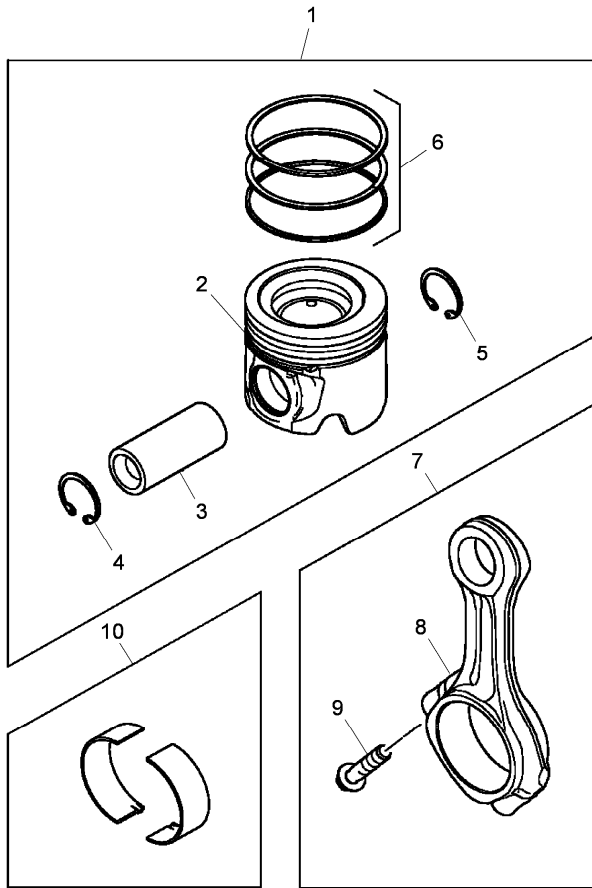
RS25\00043650.png

A-05
04



A0504

Pistons and connecting rods



| | | Inglese | |
|--------------------------------------|------------|------------|-----------|
| 1 | 6516101M91 | | 4 Kit |
| 2 | | ! 1 | 1 Piston |
| | | ➡ Ref.n.1 | |
| 3 | | ! 1 | 1 Pin |
| | | ➡ Ref.n.1 | |
| 4 | 6516023M1 | ! 1 | 1 Ring |
| 5 | 6516023M1 | ! 1 | 1 Ring |
| 6 | 6516100M91 | ! 1 | 1 Kit |
| 7 | 6516098M91 | | 4 Conrod |
| 8 | | ! 7 | 1 Conrod |
| | | ➡ Ref.n.7 | |
| 9 | 6515990M1 | ! 7 | 2 Screw |
| 10 | 6516096M91 | ⚡ -0.254mm | 4 Kit |
| 10 | 6516103M1 | | 4 Bearing |
| 10 | 6516104M91 | ⚡ -0.508mm | 4 Kit |
| ! This is a component of an assembly | | | |
| ➡ Not serviced, order | | | |
| ⚡ Shim | | | |

Engine

X50 Series Tier 4 (2013-) - RS25 - X50.30

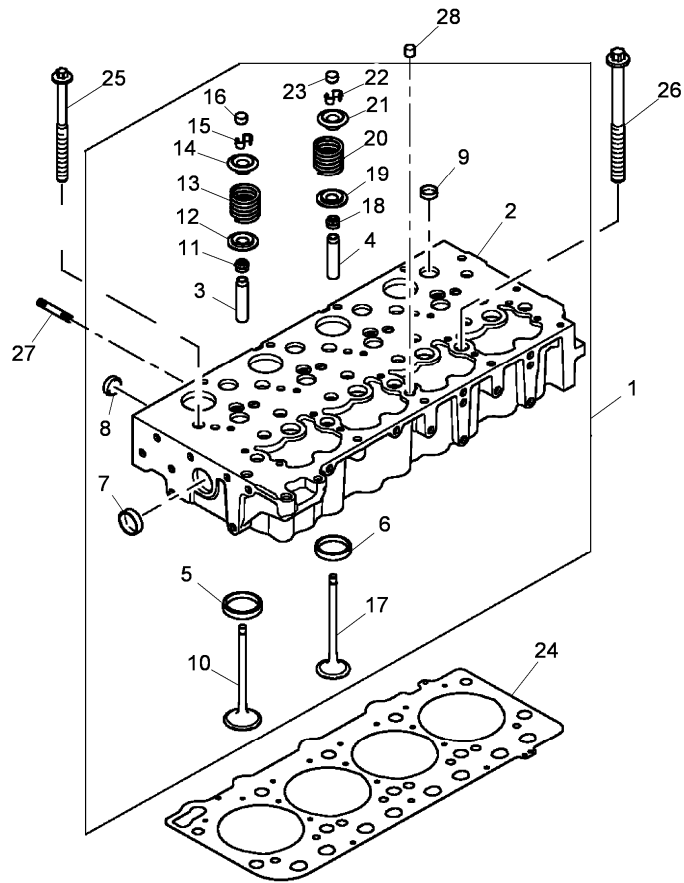
RS25\00043651.png

A-05
05



A0505

Cylinder head



| | | Inglese | |
|----|-----------|----------|---------------|
| 1 | A | 1 | Cylinder head |
| 2 | ! | 1 | Cylinder head |
| | A | | |
| 3 | 6516072M1 | ! | 4 Guide |
| 3 | 6516130M1 | ▲ +0.2mm | 4 Guide |
| 3 | 6516131M1 | ▲ +0.1mm | 4 Guide |
| 4 | 6516072M1 | ! | 4 Guide |
| 4 | 6516130M1 | ▲ +0.2mm | 4 Guide |
| 4 | 6516131M1 | ▲ +0.1mm | 4 Guide |
| 5 | 6516066M1 | ! | 4 Valve seat |
| 6 | 6516064M1 | ! | 4 Valve seat |
| 7 | 6516049M1 | ! | 1 Plug |
| 8 | 6515950M1 | ! | 4 Plug |
| 9 | 6515938M1 | ! | 8 Plug |
| 10 | 6515947M1 | ! | 4 Valve |
| 11 | 6516068M1 | ! | 4 Seal |
| 12 | 6515955M1 | ! | 4 Plug |
| 13 | 6516067M1 | ! | 4 Spring |
| 14 | 6515954M1 | ! | 4 Plug |
| 15 | 6516132M1 | ! | 8 Guide |
| 16 | 6515952M1 | ! | 4 Plug |
| 17 | 6515946M1 | ! | 4 Valve |
| 18 | 6516068M1 | ! | 4 Seal |
| 19 | 6515955M1 | ! | 4 Plug |

Engine

X50 Series Tier 4 (2013-) - RS25 - X50.30

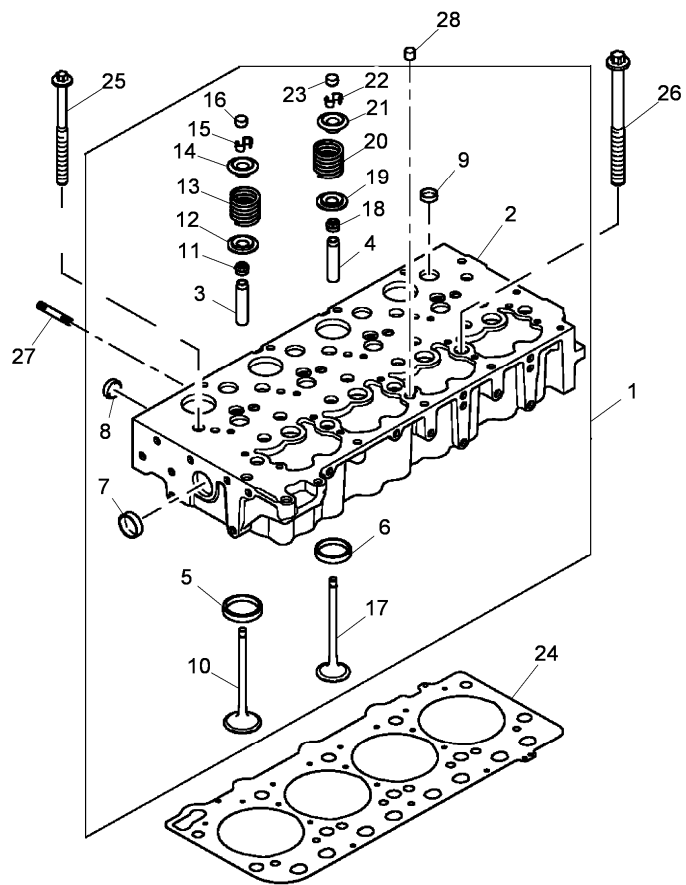
A-05
05



A0505

Cylinder head

RS25\00043651.png



| | | | |
|----|-----------|---|-------|
| 20 | 6516067M1 | ! | 1 |
| 21 | 6515954M1 | ! | 1 |
| 22 | 6516132M1 | ! | 1 |
| 23 | 6515952M1 | ! | 1 |
| 24 | 6515914M1 | ⚡ | 0.7mm |
| 24 | 6515980M1 | ⚡ | 0.8mm |
| 25 | 6516069M1 | | 4 |
| 26 | 6516073M1 | | 6 |
| 27 | 6516129M1 | | 8 |
| 28 | 6515948M1 | | 1 |

! This is a component of an assembly
 ⚡ Shim
 A To be advised

Inglese

| | |
|---|--------|
| 4 | Spring |
| 4 | Plug |
| 8 | Guide |
| 4 | Plug |
| 1 | Gasket |
| 1 | Gasket |
| 4 | Screw |
| 6 | Screw |
| 8 | Stud |
| 1 | Dowel |

Engine

X50 Series Tier 4 (2013-) - RS25 - X50.30

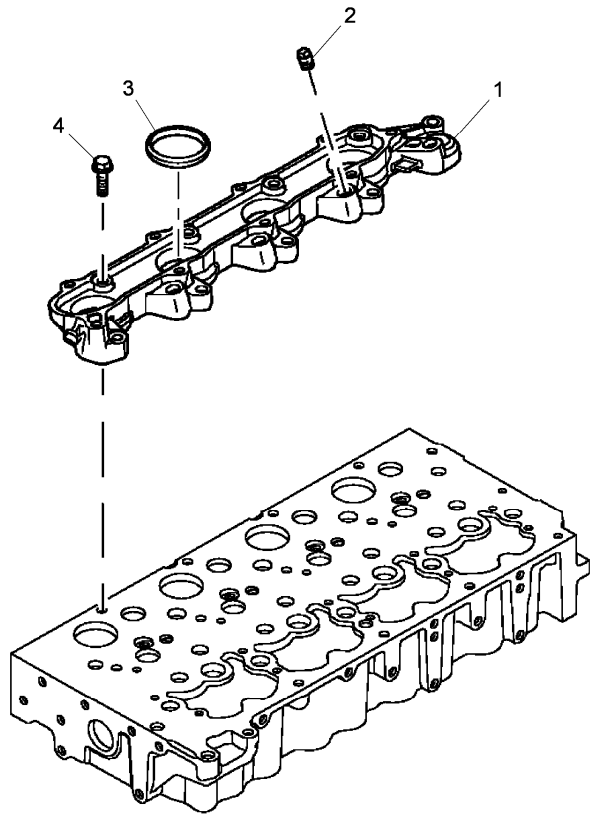
RS25\00043652.png

A-05
06



A0506

Cylinder head



- 1 6515945M1
- 2 6516075M1
- 3 6516071M1
- 4 6516034M1

Inglese

- 1 Spacer
- 4 Plug
- 4 Gasket
- 9 Bolt

Engine

X50 Series Tier 4 (2013-) - RS25 - X50.30

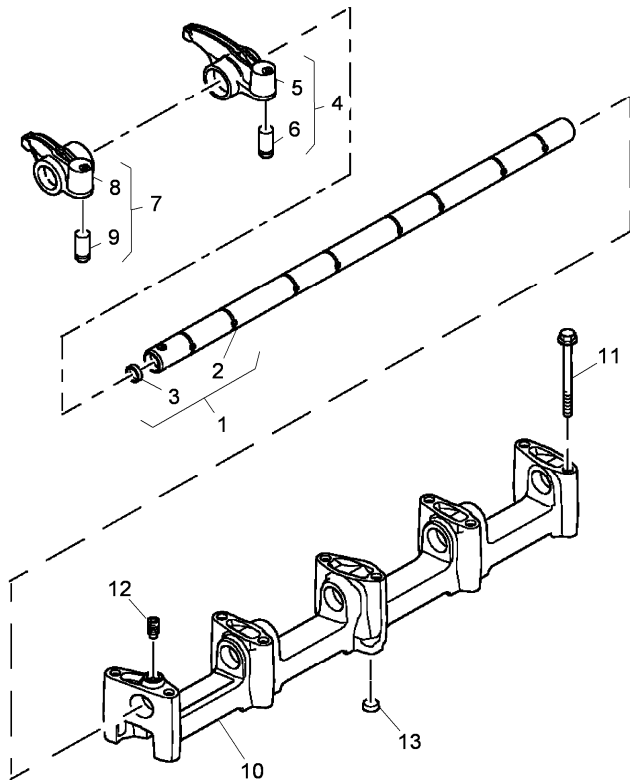
RS25\00043653.png

A-05
07



A0507

Rocker shaft



- | | | | |
|----|------------------------------------|-----|---------|
| 1 | 6518762M91 | | |
| 2 | | ! 1 | |
| | | ➡ | Ref.n.1 |
| 3 | 6515975M1 | | |
| 4 | 6516192M91 | | |
| 5 | | ! 4 | |
| | | ➡ | Ref.n.4 |
| 6 | | ! 4 | |
| | | ➡ | Ref.n.4 |
| 7 | 6516042M91 | | |
| 8 | | ! 7 | |
| | | ➡ | Ref.n.7 |
| 9 | | ! 7 | |
| | | ➡ | Ref.n.7 |
| 10 | 6516006M91 | | |
| 11 | 6516043M1 | | |
| 12 | 6515983M1 | | |
| 13 | 6515975M1 | | |
| ! | This is a component of an assembly | | |
| ➡ | Not serviced, order | | |

Inglese

- | | |
|----|---------|
| 1 | Shaft |
| 1 | Shaft |
| 2 | Plug |
| 4 | Lever |
| 1 | Lever |
| 1 | Pad |
| 4 | Lever |
| 1 | Lever |
| 1 | Pad |
| 1 | Support |
| 10 | Bolt |
| 1 | Screw |
| 1 | Plug |

Engine

X50 Series Tier 4 (2013-) - RS25 - X50.30

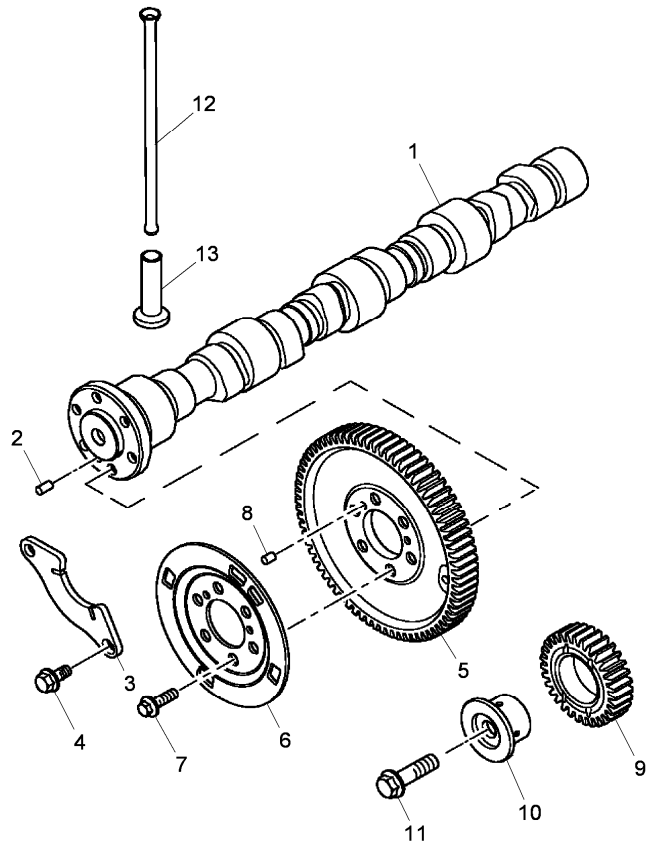
RS25\00043654.png

A-05
08



A0508

Rocker shaft



- 1 6515943M91
- 2 6515939M1
- 3 6515944M1
- 4 6516047M1
- 5 6515961M1
- 6 6516002M1
- 7 2314H004
- 8 6516010M1
- 9 6515937M1
- 10 6515967M1
- 11 6515926M1
- 12 6515940M1
- 13 6515979M1

Inglese

- 1 Shaft
- 1 Dowel
- 1 Yoke
- 2 Bolt
- 1 Gear
- 1 Flange
- 6 Screw
- 2 Dowel
- 1 Gear
- 1 Pin
- 1 Screw
- 8 Rod
- 8 Tappet

Engine

X50 Series Tier 4 (2013-) - RS25 - X50.30

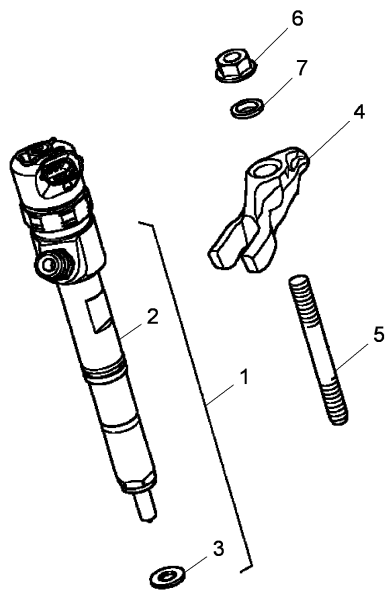
RS25\00043655.png

A-05
09



A0509

Fuel injection equipment



8
ANTI CONTAMINATION KIT
KIT DE PROTECTION
SCHUTZSATZ
KIT PROTEZIONE
EQUIPO DE PROTECCION

- | | | | | |
|---|------------|---|---|---------|
| 1 | 6515910M91 | | | |
| 2 | | ! | 1 | |
| | | ➡ | | Ref.n.1 |
| 3 | 6516058M1 | ! | 1 | |
| 4 | 6515949M1 | | | |
| 5 | 6516148M1 | | | |
| 6 | 2318A603 | | | |
| 7 | 6516057M1 | | | |
| 8 | 6518761M91 | | | |
- ! This is a component of an assembly
➡ Not serviced, order

Inglese

- | | |
|---|---------|
| 4 | Nozzle |
| 1 | Nozzle |
| 1 | Seal |
| 4 | Stirrup |
| 4 | Pin |
| 4 | Nut |
| 4 | Washer |
| 1 | Kit |

Engine

X50 Series Tier 4 (2013-) - RS25 - X50.30

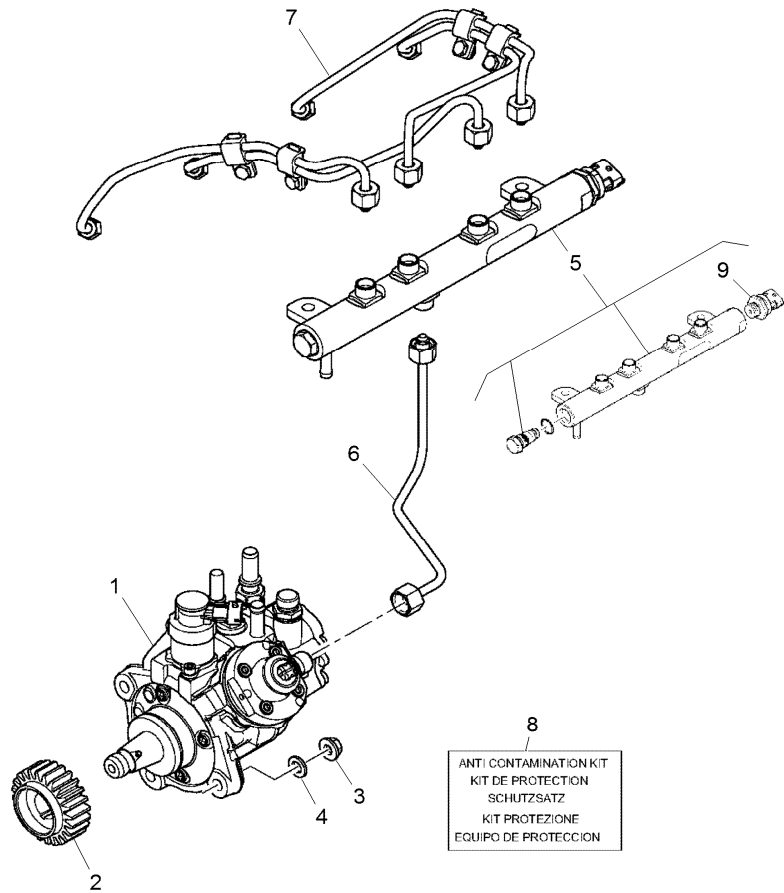
RS25\00043656.png

A-05
10



A0510

Fuel injection equipment



- 1 6516106M91
- 2 6516000M1
- 3 2318A603
- 4 2131A008
- 5 6516077M91
- 6 6515909M1
- 7 6515901M91
- 8 6518761M91
- 9 6518767M1 ! 5

Inglese

- 1 Pump
- 1 Gear
- 3 Nut
- 3 Washer
- 1 Valve
- 1 Pipe
- 1 Kit
- 1 Kit
- 1 Sensor

A

- ! This is a component of an assembly
- A Rail pressure

Engine

X50 Series Tier 4 (2013-) - RS25 - X50.30

RS25\00043657.png

A-05
11

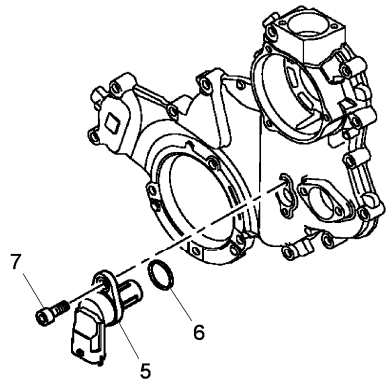
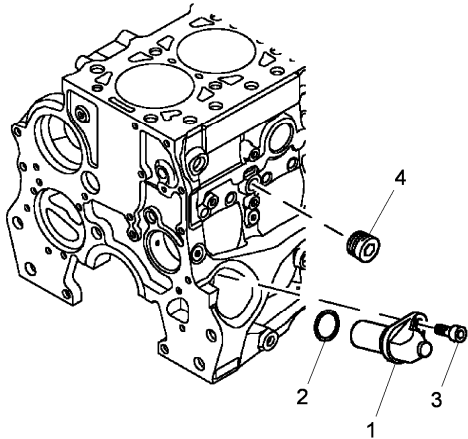


A0511

Sensors

Inglese

- | | | | | |
|---|-----------|----------------|---|--------|
| 1 | 6515895M1 | A | 1 | Sensor |
| | | B | | |
| 2 | 6516028M1 | | 1 | Ring |
| 3 | 6515969M1 | | 1 | Screw |
| 4 | 6515962M1 | | 1 | Plug |
| 5 | 6515896M1 | ● 6515896M2(1) | 1 | Sensor |
| | | A | | |
| 6 | 6516137M1 | | 1 | Seal |
| 7 | 6515969M1 | | 1 | Screw |
- Replacement
A Speed
B Shaft



Engine

X50 Series Tier 4 (2013-) - RS25 - X50.30

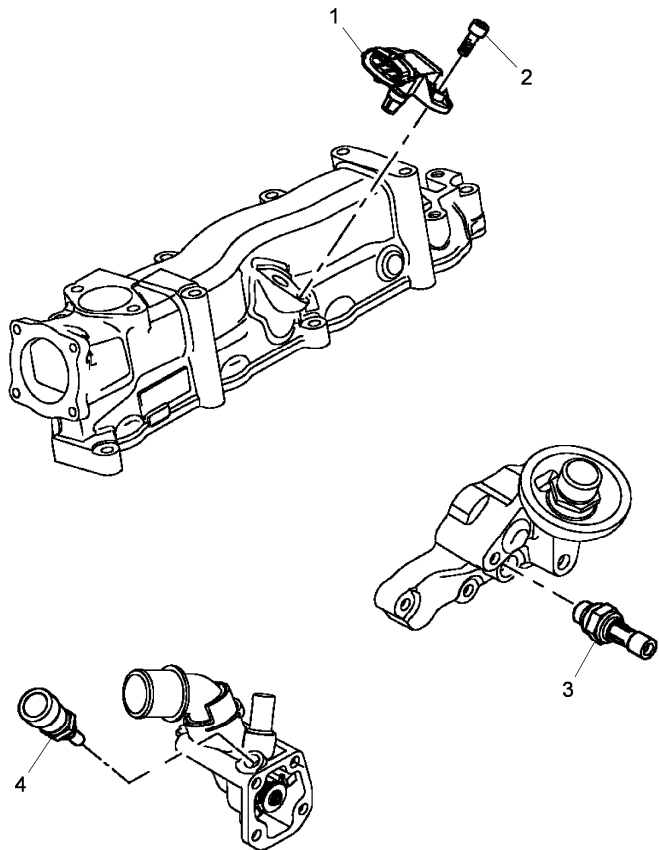
RS25\00043658.png

A-05
12



A0512

Sensors



- 1 6515966M1 A
 - 2 6515969M1
 - 3 6515897M1 B
 - 4 6515928M1 C
- A Air pressure
B Oil pressure
C Temperature

Inglese

- 1 Sensor
- 1 Screw
- 1 Sensor
- 1 Sensor

Engine

X50 Series Tier 4 (2013-) - RS25 - X50.30

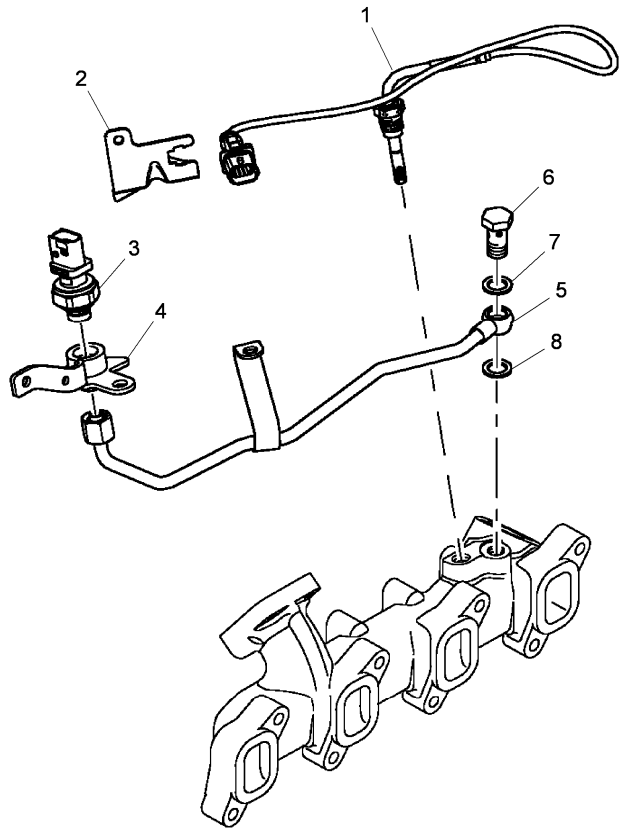
RS25\00043659.png

A-05
13



A0513

Sensors



- 1 6515900M1 A
- 2 6515977M1
- 3 6515996M1
- 4 6515986M91
- 5 6515999M1
- 6 6515963M91
- 7 6516105M1
- 8 6516105M1
- A Temperature

Inglese

- 1 Sensor
- 1 Stirrup
- 1 Sensor
- 1 Stirrup
- 1 Pipe
- 1 Bolt
- 1 Washer
- 1 Washer

Engine

X50 Series Tier 4 (2013-) - RS25 - X50.30

RS25\00043660.png

A-05
14



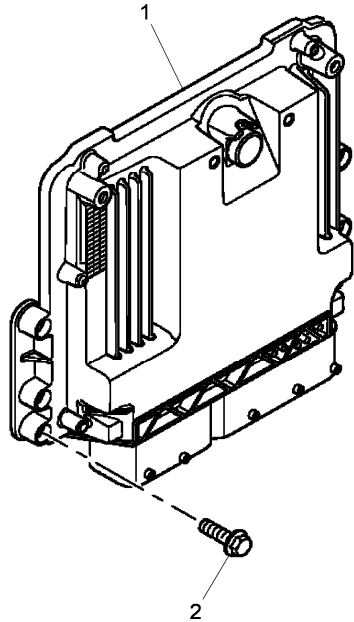
A0514

Electronic control unit

- 1 6515921M1 ● N.L.S.(1)
- 2 2314F005
- Replacement

Inglese

- 1 Centralizer
- 2 Screw



Engine

X50 Series Tier 4 (2013-) - RS25 - X50.30

RS25\00043661.png

A-05
15



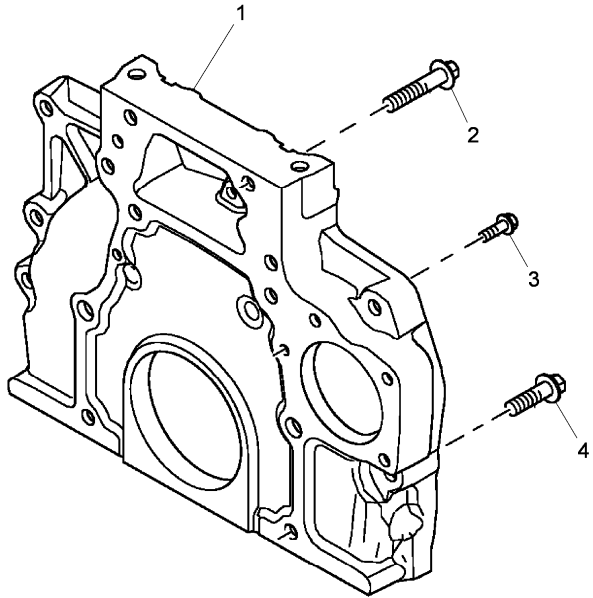
A0515

Crankcase covers

- 1 6516136M91
- 2 6515927M1
- 3 6516041M1
- 4 6515926M1

Inglese

- 1 Housing
- 2 Screw
- 2 Bolt
- 6 Screw



Engine

X50 Series Tier 4 (2013-) - RS25 - X50.30

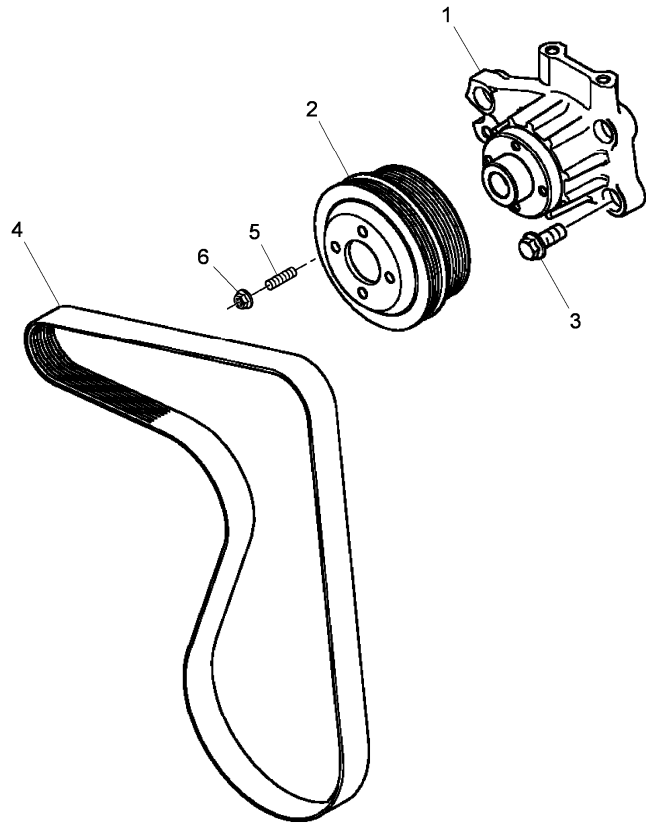
RS25\00043662.png

A-05
16



A0516

Fan-type pulley



- 1 6516183M91
- 2 6516182M91
- 3 6516041M1
- 4 6518749M1 ● 6518749M2(1)
- 5 6516168M1
- 6 2318A603
- Replacement

Inglese

- 1 Coperch.
- 1 Pulley
- 5 Bolt
- 1 Belt
- 4 Stud
- 4 Nut

Engine

X50 Series Tier 4 (2013-) - RS25 - X50.30

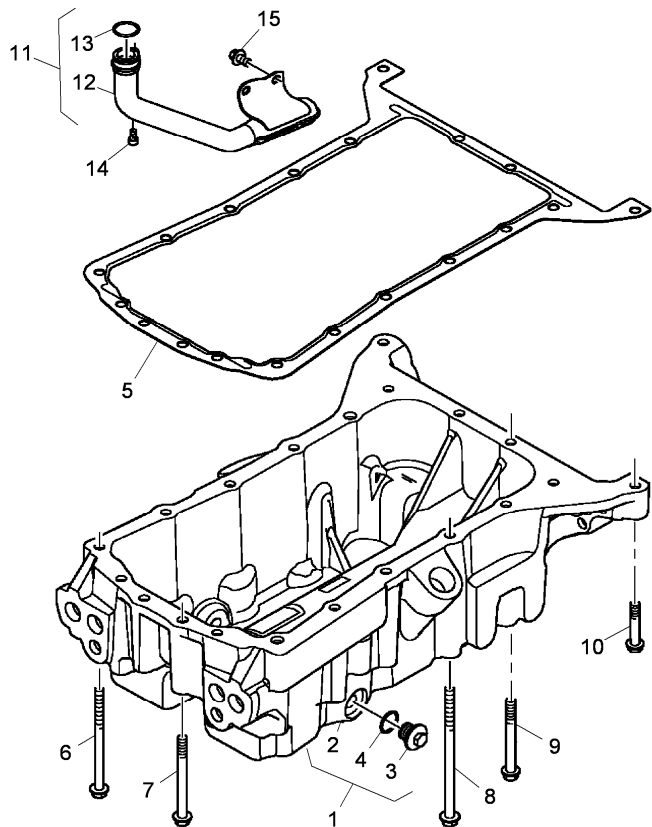
RS25\00043663.png

A-05
17



A0517

Lubricating oil sump



- | | | | | |
|----|------------|---|----------|--|
| 1 | 6516185M91 | | | |
| 2 | | ! | 1 | |
| | | ➡ | Ref.n.1 | |
| 3 | 6515970M1 | ! | 1 | |
| 4 | 6516083M1 | ! | 1 | |
| 5 | 6515911M1 | | | |
| 6 | 2314J022 | | | |
| 7 | 2314J019 | | | |
| 8 | 6516179M1 | | | |
| 9 | 2314J018 | | | |
| 10 | 2314J009 | | | |
| 11 | 6516184M91 | | | |
| 12 | | ! | 11 | |
| | | ➡ | Ref.n.11 | |
| 13 | 6516045M1 | ! | 11 | |
| 14 | 6516056M1 | | | |
| 15 | 2314H001 | | | |
- ! This is a component of an assembly
➡ Not serviced, order

Inglese

- | | |
|---|--------|
| 1 | Pan |
| 1 | Pan |
| 2 | Plug |
| 2 | Ring |
| 1 | Gasket |
| 8 | Screw |
| 2 | Screw |
| 4 | Screw |
| 2 | Screw |
| 4 | Screw |
| 1 | Pipe |
| 1 | Pipe |
| 1 | Ring |
| 1 | Screw |
| 2 | Screw |

Engine

X50 Series Tier 4 (2013-) - RS25 - X50.30

RS25\00043664.png

**A-05
18**



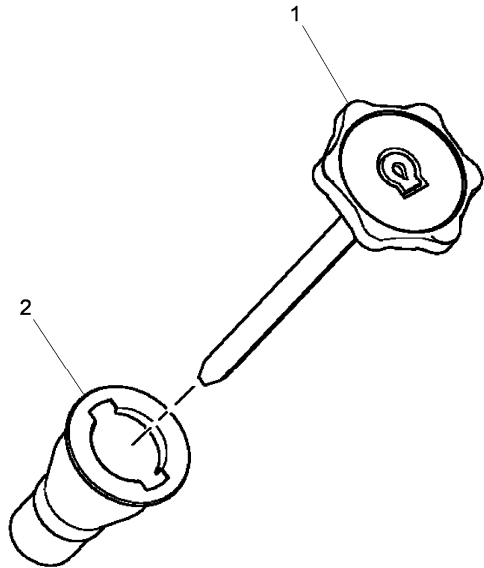
A0518

Oil level

Inglese

- 1 6516186M1
- 2 6516180M1

- 1 Rod
- 1 Pipe





Download the full PDF manual instantly.

Our customer service e-mail:

aservicemanualpdf@yahoo.com