

Engine

CX-L Series (2004-2007) - RP21 - CX-L 65

RP21\00005170.png

A-05
01



A0501

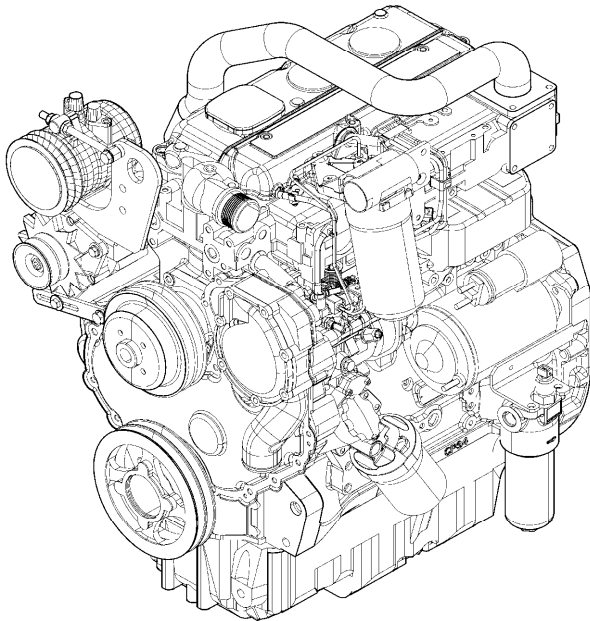
Engine assembly

Inglese

- 1 3674036M91 ● 3674036M92(1) 1 Engine
- T-A 8:0
- T-B 30:0

- Replacement
- T-A Replacement
- T-B Overhaul

1



Engine

CX-L Series (2004-2007) - RP21 - CX-L 65

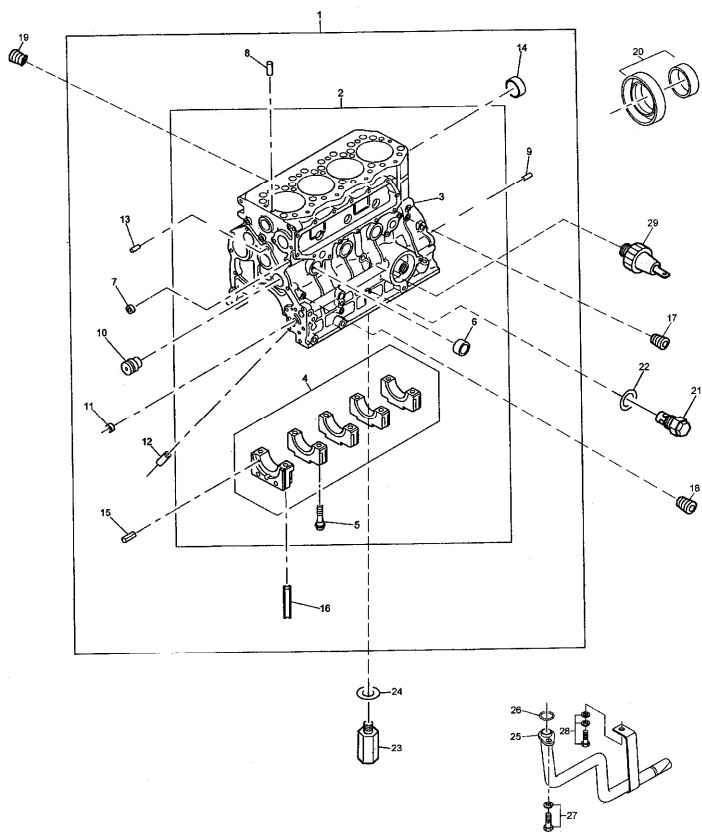
RP21\000012847.png

A-05
02



A0502

Cylinder block - plate f



		Inglese
1	MPCB0001 T-A 30:0	1 Kit
2	MP10310 T-A 25:0	1 Cylinder
3	➡ Ref. n. 2	1 Cylinder block assembly
4	➡ Ref. n. 2	1 Cylinder block
5	MP10056	10 Bolt
6	MP10049	10 Coperch.
7	MP10051	1 Coperch.
8	MP10048	1 Dowel
9	MP10050	1 Dowel
10	MP10052	1 Shaft
11	MP10053	1 Bush
12	MP10058	1 Pipe
13	MP10055	1 Dowel
14	MP10054 ● MP20050(1)	1 Plug
15	MP10057	1 Pin
16	MP10059	1 Ring
17	MP10060	1 Plug
18	MP10061	4 Plug
19	MP10062	1 Plug
20	MP10085 (X) 1.3.5.1 T-A 9:0	1 Ring
21	MP10158 T-A 0:25	1 Valve
22	MP10159	1 Gasket
23	MP10160 T-A 2:0	1 Valve

Engine

CX-L Series (2004-2007) - RP21 - CX-L 65

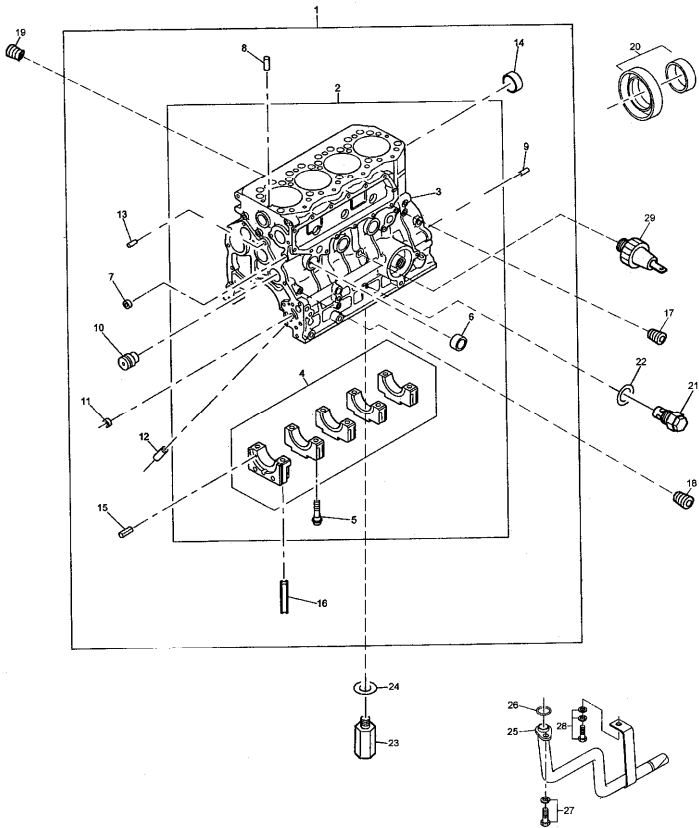
RP21\000012847.png

A-05
02



A0502

Cylinder block - plate f



		Inglese
24	MP10161	1 Gasket
25	MP10465 T-A 2:25	1 Pipe
26	MP10156	1 Ring
27	MP10046 M8x16	2 Bolt
28	MP10157 M8x16	1 Bolt
29	MP10395 ● MP10533(1)	1 Cutout
	A	
	(X)	
	T-A 0:25	

- ▣ Not serviced, order
- Replacement
- (X) Qty per tractors sold (aa.bbb.ccc.ddd) (aa) for 1,(bbb) 2-10 (ccc) 11-25 (ddd) 26-50
- T-A Replacement
- A Oil pressure

Engine

CX-L Series (2004-2007) - RP21 - CX-L 65

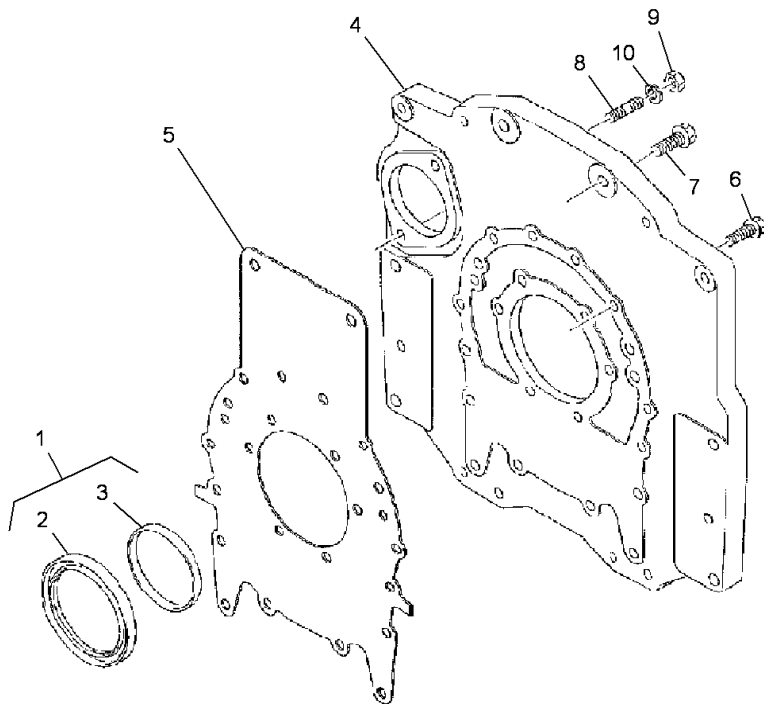
RP21\00040313.png

A-05
025



A05025

Rear end oil seal



- 1 MP10085
- 4 MP10567
- 5 MP10568
- 6 MP10570
- 7 MP10569
- 8 MP10572
- 9 MP10571
- 10 MP10154
- Replacement

● MP20120(2)

Inglese

- 1 Gasket
- 1 Coperch.
- 1 Coperch.
- 20 Screw
- 2 Screw
- 2 Screw
- 2 Nut
- 2 Washer

Engine

CX-L Series (2004-2007) - RP21 - CX-L 65

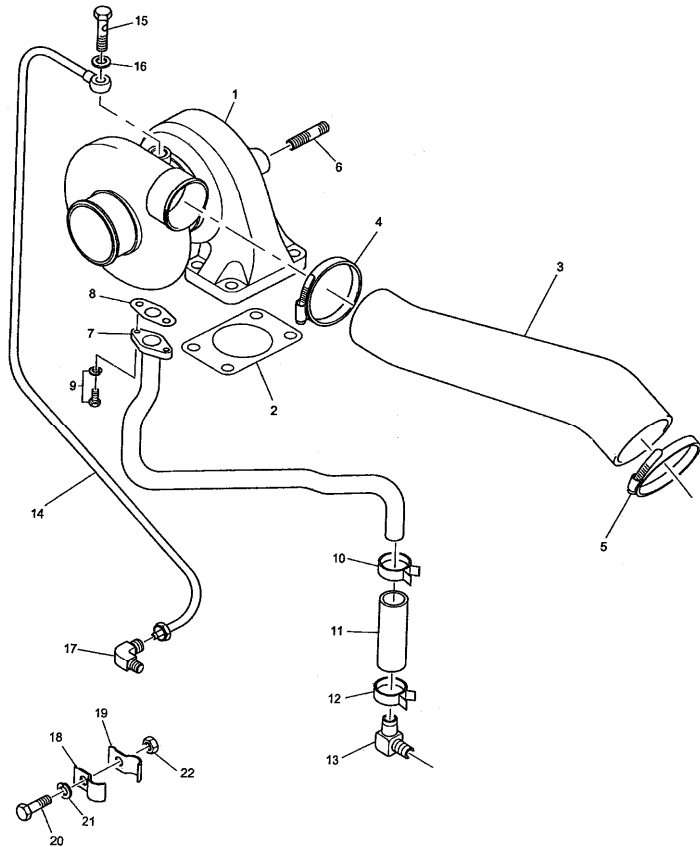
RP21\000012848.png

A-05
03



A0503

Turbocharger



Inglese

1	MP10461	T-A	0:50	1	Turbocharger
2	MP10129	(X)	1.3.5.1	1	Gasket
		T-A	0:50		
3	MP10462	T-A	0:25	1	Pipe
4	MP10132			1	Clip
5	MP10133			1	Clip
6	MP10404			3	Stud
7	MP10463	T-A	0:25	1	Pipe
8	MP10135	T-A	0:25	1	Gasket
9	MP10136			2	Bolt
10	MP10137			1	Clip
11	MP10399	T-A	0:25	1	Pipe
12	MP10137			1	Clip
13	MP10139			1	Connection
14	MP10464	T-A	0:25	1	Pipe
15	MP10141			1	Bolt
16	MP10142			2	Gasket
17	MP10408			1	Connection
18	MP10145			1	Clamp
19	MP10145			1	Clamp
20	MP10146			1	Bolt
21	MP10148			1	Washer
22	MP10147			1	Nut

(X) Qty per tractors sold (aa.bbb.ccc.ddd) (aa) for 1,(bbb) 2-10 (ccc) 11-25 (ddd) 26-50
T-A Replacement

Engine

CX-L Series (2004-2007) - RP21 - CX-L 65

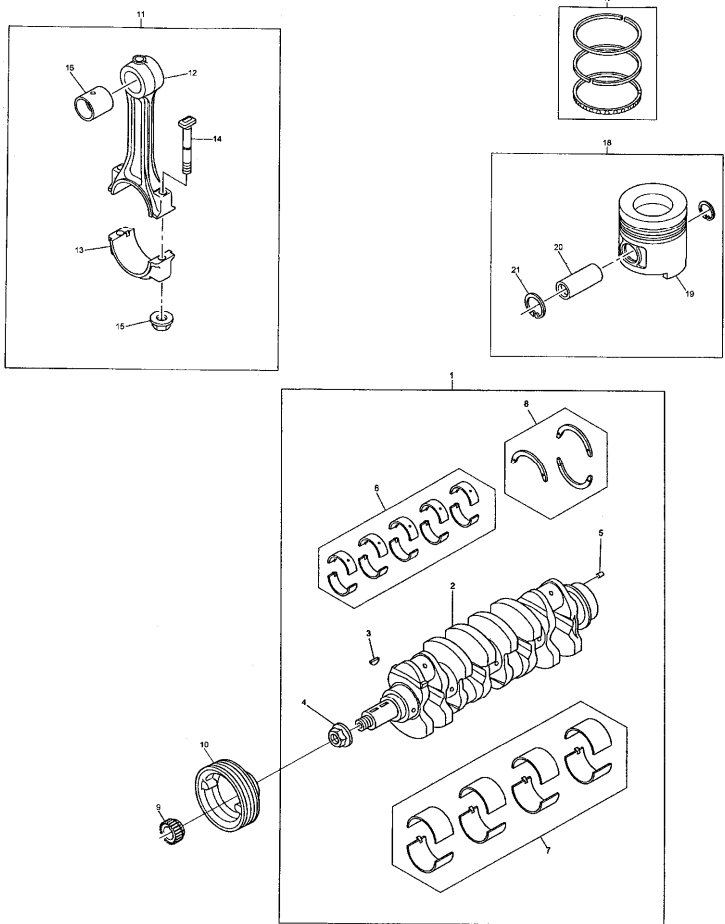
A-05
04



A0504

Crankshaft, pistons and connecting rods

RP21\000012849.png



1	MPCK0003	T-A	18:0
2		!	1
		➡	Ref. n. 1
3	MP10042	!	1
		T-A	18:0
4	MP10280	!	1
5	MP10103	!	1
6	MPMB0001	!	1
			Std
		T-A	18:0
6	MPMB0001A	!	1
		✘	0.25
		T-A	18:0
6	MPMB0001B	!	1
		✘	0.50
		T-A	18:0
6	MPMB0001C	!	1
		✘	0.75
		T-A	18:0
7	MPBE0002	!	1
			Std
		T-A	18:0
7	MPBE0002A	!	1
		✘	0.25
		T-A	18:0

Inglese

- 1 Crankshaft kit
- 1 Crankshaft
- 2 Wrench
- 1 Nut
- 2 Pin
- 1 Main bearing kit
- 1 Main bearing kit
- 1 Main bearing kit
- 1 Main bearing kit
- 1 Kit
- 1 Kit

Engine

CX-L Series (2004-2007) - RP21 - CX-L 65

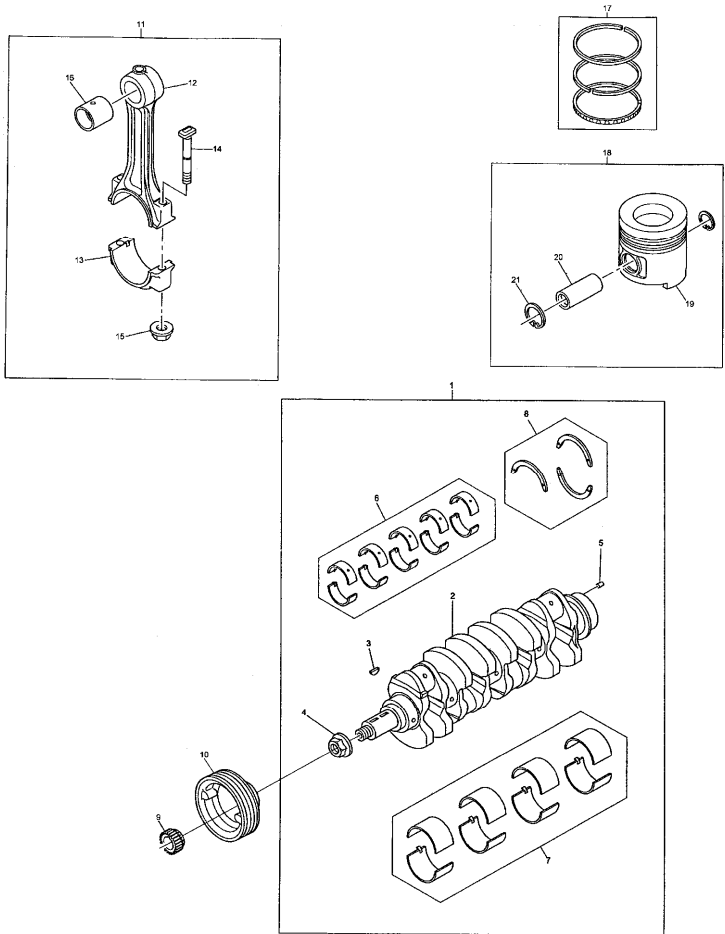
RP21\000012849.png

A-05
04



A0504

Crankshaft, pistons and connecting rods



Inglese

7	MPBE0002B	!	1	1 Kit
		✂	0.50	
		T-A	18:0	
7	MPBE0002C	!	1	1 Kit
		✂	0.75	
		T-A	18:0	
8	MPTW0001	!	1	1 Kit
			Std	
		T-A	18:0	
8	MPTW0001A	!	1	1 Kit
		✂	0.15	
		T-A	18:0	
8	MPTW0001B	!	1	1 Kit
		✂	0.30	
		T-A	18:0	
9	MP10340	●	MP20068(1)	1 Gear
		T-A	13:0	
10	MP10105	➡	07/11/05	1 Pulley
			B	
		T-A	2:50	
10	MP10281	➡	06/11/05	1 Pulley
			A	
		T-A	2:50	
11	MP10278	T-A	16:0	4 Kit
12		➡	Ref. n. 11	1 Guard
13		➡	Ref. n. 11	1 Conrod

Engine

CX-L Series (2004-2007) - RP21 - CX-L 65

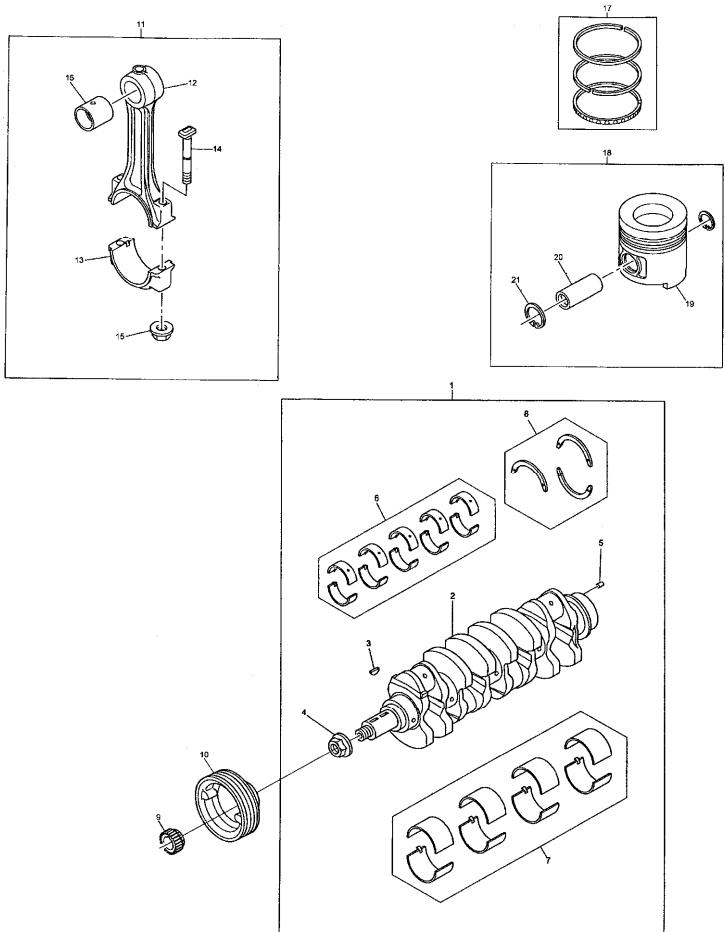
**A-05
04**



A0504

Crankshaft, pistons and connecting rods

RP21\000012849.png



Inglese

14	MP10100			2	Screw
15	MP10099			2	Nut
16	MP10279	T-A	16:0	1	Bush
17	MPRK0001	(X)	1.3.5.1	4	Kit
		T-A	16:0		
17	MPRK0001A	▲	0.25	4	Kit
		T-A	16:0		
17	MPRK0001B	▲	0.50	4	Kit
		T-A	16:0		
18	MPPK0002	T-A	16:0	4	Kit
18	MPPK0002A	▲	0.25	4	Kit
		T-A	16:0		
18	MPPK0002B	▲	0.50	4	Kit
		T-A	16:0		
19		!	18	1	Piston
		➡	Ref. n. 18		
20		!	18	1	Cotter
		➡	Ref. n. 18		
21	MP10097	!	18	2	Ring

- ! This is a component of an assembly
- ➡ From serial or engine number
- ➡ Up to serial or engine number
- ⚡ Not serviced, order
- ▲ Shim
- Replacement
- (X) Qty per tractors sold (aa.bbb.ccc.ddd) (aa) for 1,(bbb) 2-10 (ccc) 11-25 (ddd) 26-50
- T-A Replacement

Engine

CX-L Series (2004-2007) - RP21 - CX-L 65

RP21\000012849.png

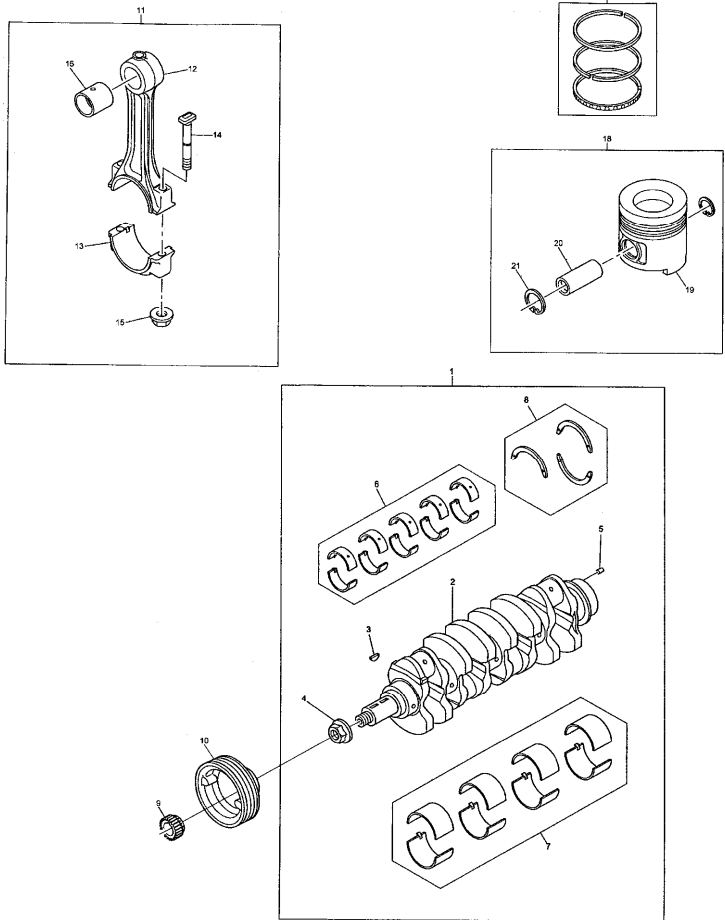
A-05
04



A0504

Crankshaft, pistons and connecting rods

- A 1 groove
- B 2 grooves



Engine

CX-L Series (2004-2007) - RP21 - CX-L 65

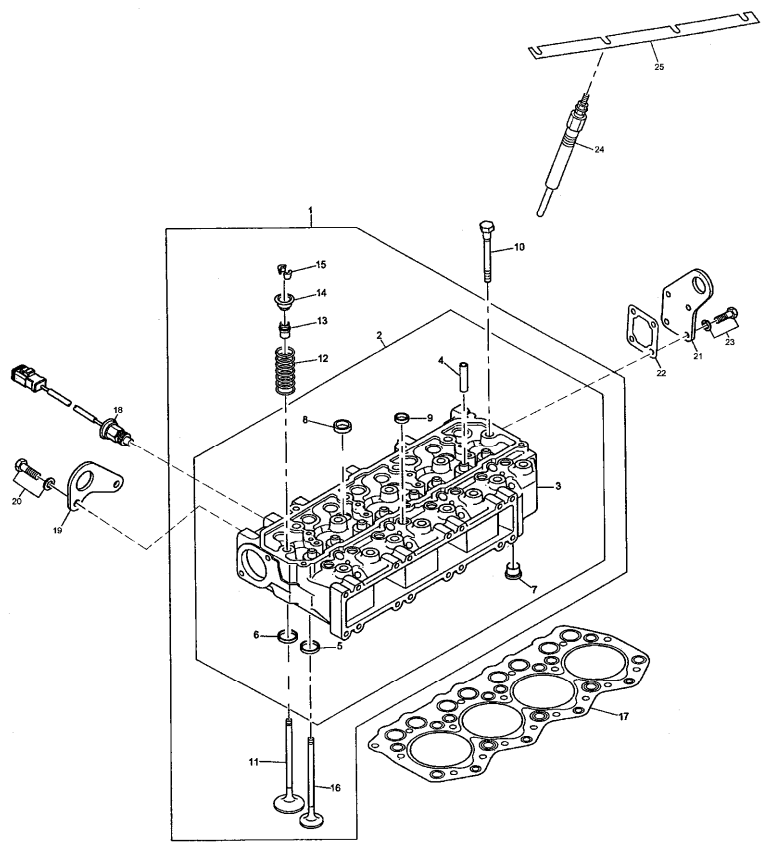
RP21\000012850.png

A-05
05



A0505

Cylinder head - plate c



- | | | | |
|----|----------|--------------|--|
| 1 | MPCH0002 | T-A 4:0 | |
| | | T-B 7:0 | |
| 2 | MP10392 | T-A 4:0 | |
| 3 | | ➡ N. ref. 2 | |
| 4 | MP10003 | T-A 7:0 | |
| 5 | MP10004 | T-A 7:0 | |
| 6 | MP10005 | T-A 7:0 | |
| 7 | MP10191 | T-A 4:0 | |
| 8 | MP10001 | T-A 3:0 | |
| 9 | MP10002 | T-A 3:0 | |
| 10 | MP10396 | | |
| 11 | MP10426 | T-A 7:0 | |
| 12 | MP10029 | T-A 3:0 | |
| 13 | MP10030 | T-A 2:50 | |
| 14 | MP10031 | T-A 2:50 | |
| 15 | MP10032 | | |
| 16 | MP10423 | T-A 7:0 | |
| 17 | MP10425 | ● MP10575(1) | |
| | | (X) | |
| | | T-A 4:0 | |
| 18 | MP10352 | ● MP10562(1) | |
| | | C | |
| | | (X) | |
| | | T-A 0:25 | |
| 19 | MP10009 | A | |

Inglese

- | | |
|----|---------------|
| 1 | Kit |
| 1 | Head |
| 1 | Cylinder head |
| 8 | Guide |
| 4 | Valve seat |
| 4 | Valve seat |
| 1 | Plug |
| 1 | Coperch. |
| 1 | Coperch. |
| 17 | Bolt |
| 4 | Valve |
| 8 | Spring |
| 8 | Ring |
| 16 | Coperch. |
| 4 | Dowel |
| 1 | Valve |
| 1 | Gasket |
| 1 | Cutout |
| 1 | Eye |

Engine

CX-L Series (2004-2007) - RP21 - CX-L 65

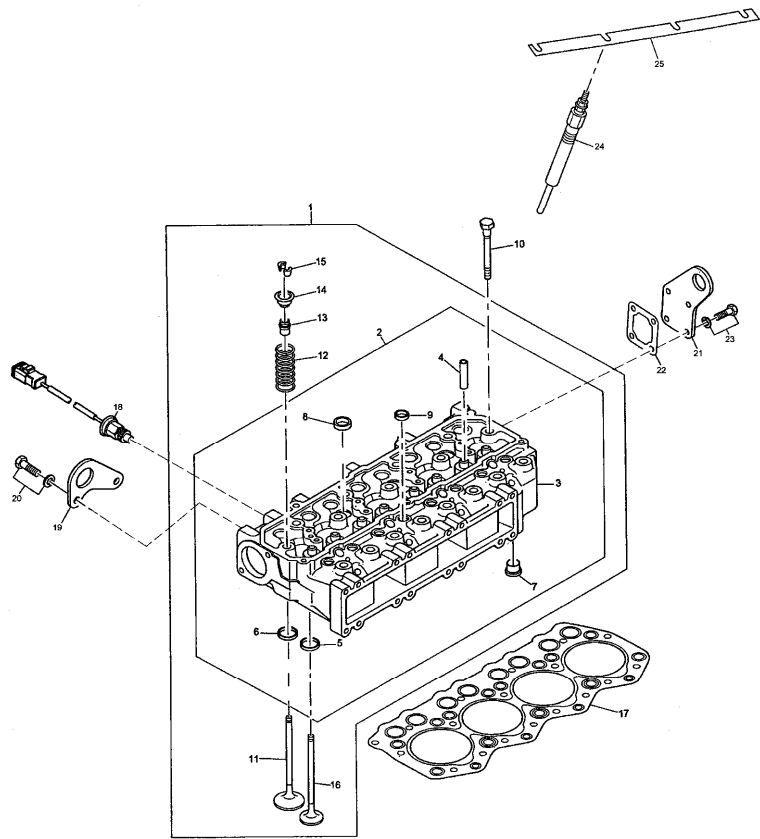
RP21\000012850.png

A-05
05



A0505

Cylinder head - plate c



Inglese

20	MP10010	M8x16	2 Bolt
21	MP10011	B	1 Eye
22	MP10013		1 Gasket
23	MP10012	M8x20	4 Bolt
24	MP10238	T-A 0:25	4 Plug
25	MP10433	T-A 0:25	1 Bar

Not serviced, order

Replacement

(X) Qty per tractors sold (aa.bbb.ccc.ddd) (aa) for 1,(bbb) 2-10 (ccc) 11-25 (ddd) 26-50

T-A Replacement

T-B Overhaul

A Front

B Rear

C Water temperature

Engine

CX-L Series (2004-2007) - RP21 - CX-L 65

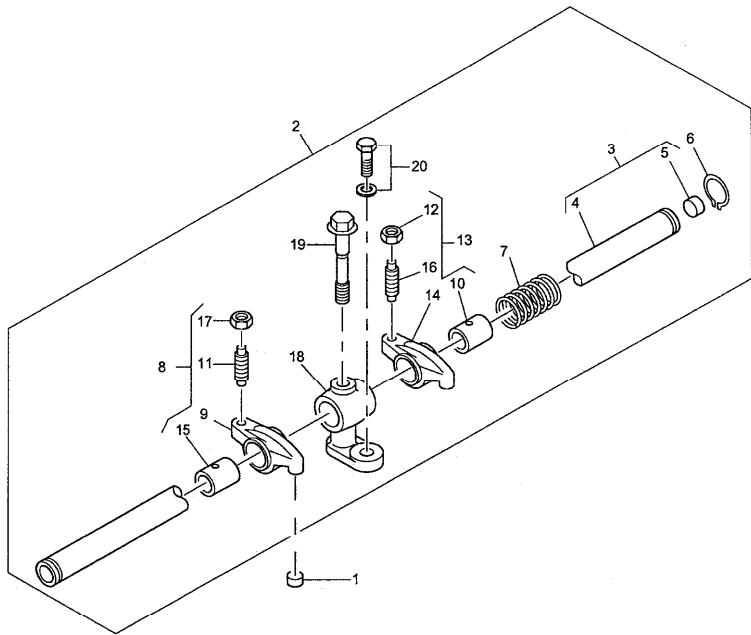
RP21\000012851.png

A-05
06



A0506

Rocker shaft



			Inglese
1	MP10033	T-A 1:25	4 Pad
2	MP10270	A	1 Kit
		T-A 2:0	
3	MP10017	B	1 Kit
		T-A 4:0	
4		➤ Ref. n. 3	1 Shaft
5	MP10018		2 Plug
6	MP10019		2 Ring
7	MP10020	T-A 4:0	3 Spring
8	MP10021	T-A 1:50	4 Kit
9		➤ Ref. n. 8	1 Arm
10		➤ Ref. n. 8	1 Shim
11	MP10022		1 Screw
12	MP10023		1 Nut
13	MP10021	T-A 1:50	4 Kit
14		➤ Ref. n. 13	1 Arm
15		➤ Ref. n. 13	1 Shim
16	MP10022		1 Screw
17	MP10023		1 Nut
18	MP10024		4 Stirrup
19	MP10025		4 Bolt
20	MP10026	M8x25	1 Bolt

➤ Not serviced, order

T-A Replacement

A Greater

Engine

CX-L Series (2004-2007) - RP21 - CX-L 65

RP21\000012851.png

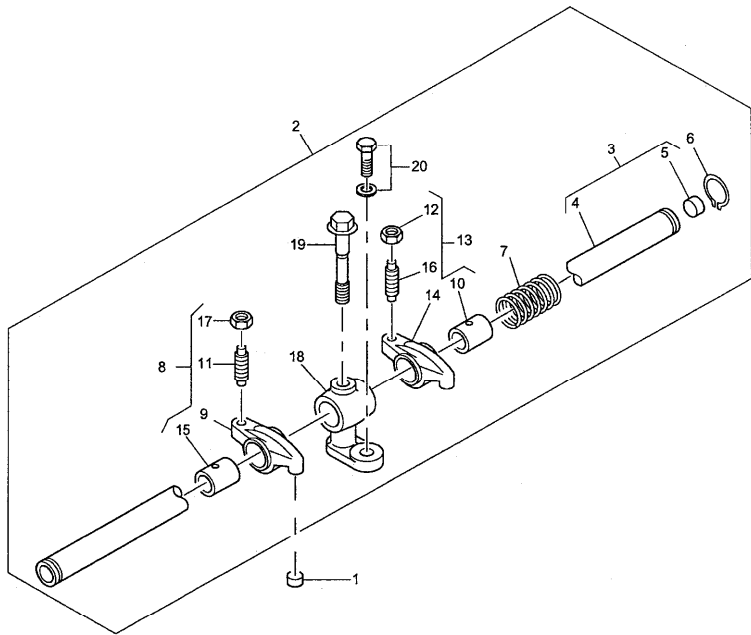
A-05
06



A0506

Rocker shaft

B Less



Engine

CX-L Series (2004-2007) - RP21 - CX-L 65

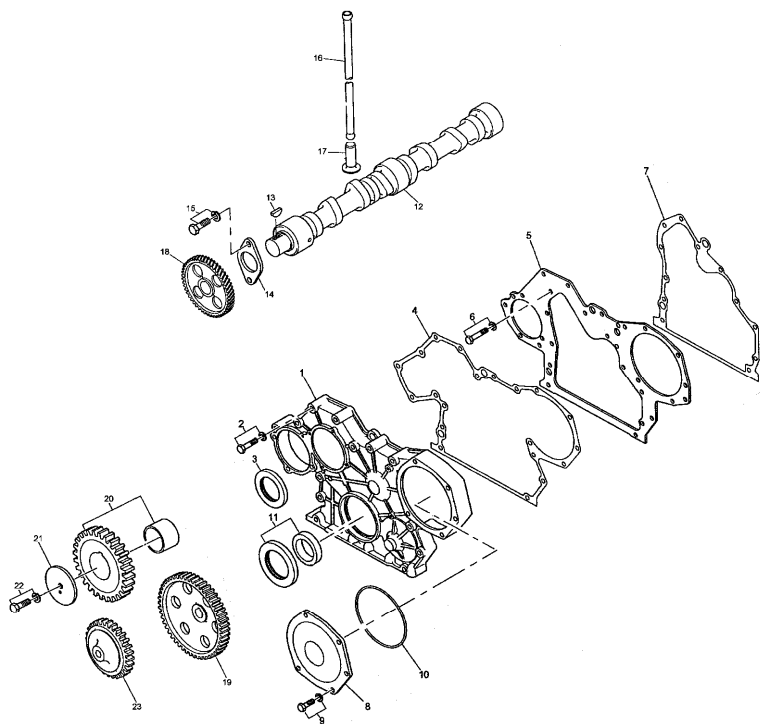
RP21\000012852.png

A-05
07



A0507

Timing gear and camshaft



		Inglese	
1	MP10334	● MP10539(1)	1 Crankcase
		T-A 4:50	
2	MP10070	M8x55	13 Bolt
3	MP10072		1 Ring
4	MP10335	(X) 1.3.6.1	1 Gasket
		T-A 4:50	
5	MP10333	T-A 4:50	1 Disc
6	MP10075	M8x55	5 Bolt
7	MP10069	(X) 1.3.5.1	1 Gasket
		T-A 4:75	
8	MP10438		1 Guard
9	MP10046	M8x16	5 Bolt
10	MP10074		1 Ring
11	MP10071	T-A 4:75	1 Ring
12	MP10041	T-A 12:50	1 Shaft
13	MP10042		1 Wrench
14	MP10045	T-A 4:0	1 Disc
15	MP10046	M8x16	2 Bolt
16	MP10043	T-A 2:50	8 Rod
17	MP10044	T-A 12:50	8 Plug
18	MP10336	■ 52	1 Gear
		T-A 4:50	
19	MP10387	T-A 4:50	1 Gear
20	MP10338	■ 57	1 Gear
		T-A 4:50	

Engine

CX-L Series (2004-2007) - RP21 - CX-L 65

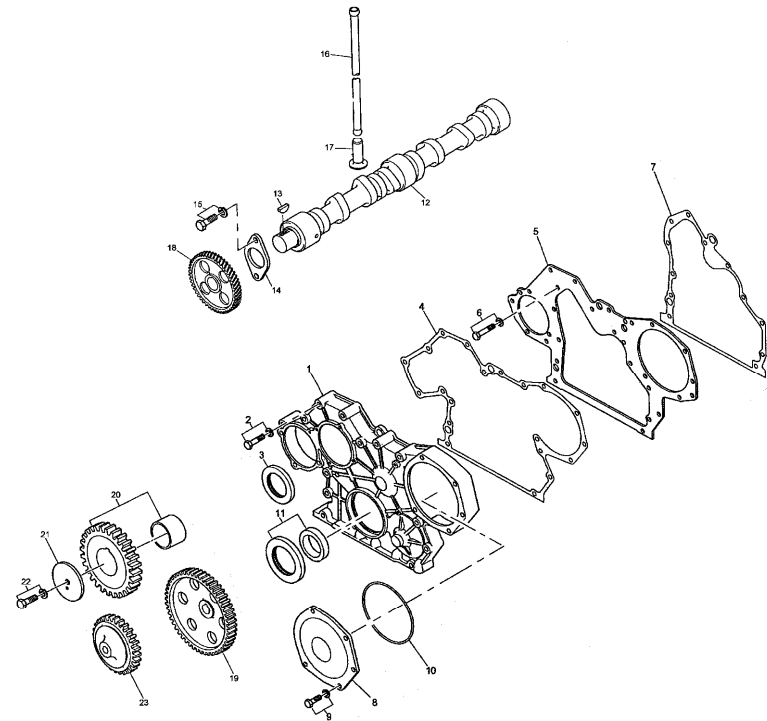
RP21\000012852.png

A-05
07



A0507

Timing gear and camshaft



Inglese

21	MP10113	T-A	4:0	1	Disc
22	MP10114		M10x20	1	Bolt
23	MP10339		36	1	Gear
		T-A	4:50		

Number of teeth/splines

Replacement

(X) Qty per tractors sold (aa.bbb.ccc.ddd) (aa) for 1,(bbb) 2-10 (ccc) 11-25 (ddd) 26-50

T-A Replacement

Thank you very much for reading. need complete manual.

Please Go back to the website, at its bottom.

There is a button. BUY NOW...

You can get this complete manual instantly. NO WAITING.

Please click here.



**Have questions. Please write to us.
aservicemanuapdf@yahoo.com**

Engine

CX-L Series (2004-2007) - RP21 - CX-L 65

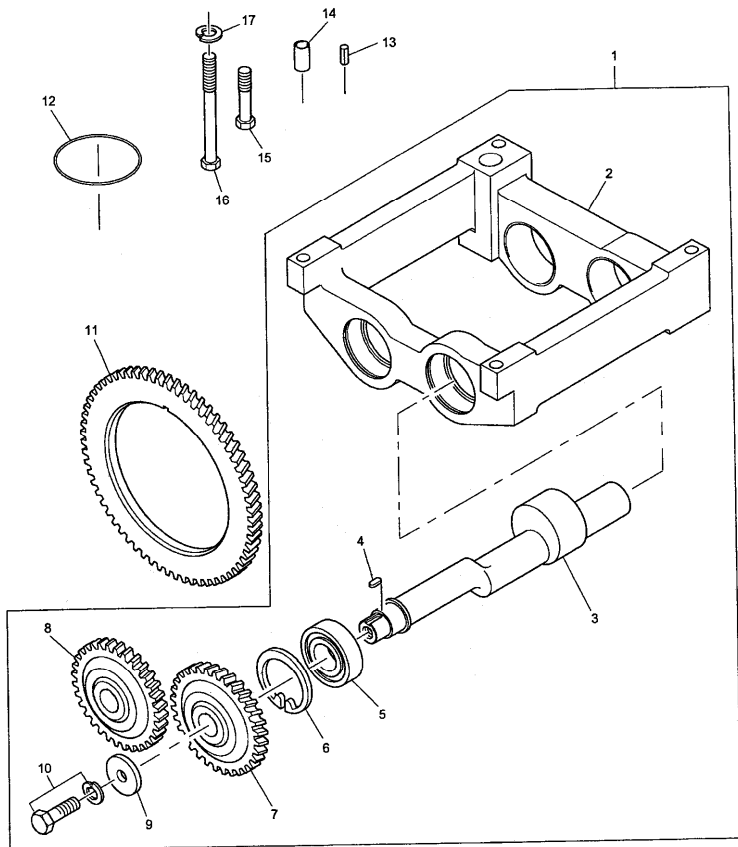
RP21\000012853.png

A-05
08



A0508

Balancer unit - plate a



- | | | |
|----|---------|--------------|
| 1 | MP10448 | T-A 4:0 |
| | | T-B 5:0 |
| 2 | | ◁▷ Ref. n. 1 |
| 3 | MP10453 | T-A 5:0 |
| 4 | MP10449 | T-A 5:0 |
| 5 | MP10452 | T-A 5:0 |
| 6 | MP10389 | |
| 7 | MP10451 | T-A 5:0 |
| 8 | MP10454 | T-A 5:0 |
| 9 | MP10457 | |
| 10 | MP10114 | M10x20 |
| 11 | MP10455 | T-A 5:0 |
| 12 | MP10344 | |
| 13 | MP10057 | |
| 14 | MP10450 | |
| 15 | MP10458 | |
| 16 | MP10456 | |
| 17 | MP10119 | |

Inglese

- | | |
|---|----------|
| 1 | Rocker |
| 1 | Frame |
| 2 | Shaft |
| 2 | Key |
| 2 | Cuscinet |
| 2 | Ring |
| 1 | Gear |
| 1 | Gear |
| 2 | Washer |
| 1 | Bolt |
| 1 | Gear |
| 1 | Ring |
| 2 | Pin |
| 2 | Bush |
| 1 | Screw |
| 4 | Screw |
| 6 | Washer |

◁▷ See page - reference number

T-A Replacement

T-B Overhaul